

FLIGHT DESIGN

***CTL*S**

Parts & Assembly
Manual

Release 1



Disclaimer Notice

FLIGHT DESIGN DISCLAIMS ALL WARRANTIES WITH REGARD TO THIS CATALOGUE, INCLUDING ALL IMPLIED WARRANTIES OF MERCHANTABILITY AND FITNESS, IN NO EVENT SHALL FLIGHT DESIGN BE LIABLE FOR ANY SPECIAL, INDIRECT OR CONSEQUENTIAL DAMAGES OR ANY DAMAGES WHATSOEVER RESULTING FROM LOSS OF USE, DATA OR PROFITS, WHETHER IN AN ACTION OF CONTRACT OF THIS CATALOGUE.

Contents

Contents	3
Introduction	6
Plane	7
Chapter 1: Fuselage	8
Designs	8
Wave Design	9
Storm Design	10
Classic Design	11
Fuselage	12
Cowlings	13
KF71100000 - Cowlings Installation.....	14
Upper Cowling Hatch	15
Windows	16
Door window	17
Doors	18
KF52100100 - Door With Small Window	19
Handle Installation	20
Baggage Hatches	21
Seats	22
KF25100200 - Seat, Sport With Headrest	22
Instrument Panel	24
Panel CTLS Classic	25
Panel CTLS Advanced	25
KF34001010 Map Shelf, Big (Left).....	27
KF34001020 Map Shelf, Small(Right)	27
Pocket for maps	28
KF25102010 - Pocket, Door	28
Chapter 2: Wing	29
Mounting of Wing Consoles	29
KF57100000 - Wing Console, Right	30
KF57100010R - Pivot, Wing No1, Right	31
KF57100020R - Pivot, Wing No2, Right	32
KF57100030R - Pivot, Wing No3, Right	33
KF57100040R - Pivot, Wing No4, Right	34
Chapter 3: Stabilator & Rudder	35
Stabilator	35
Rudder	36
KF55400010 Pivot Upper.....	37
KF55400030 - Rudder Lower Support & Pivot.....	38
Chapter 4: Landing Gear	39
Nose Landing Gear	39
KF32200008 Leather Cap.....	41
Nose Strut Steering Rod & Fork Stopper	42
Nose Wheel Mounting.....	43
Main Landing Gear	45
KF32100000, KF321000001 - Wheel, Main.....	47
Chapter 5: Power Plant	48
KF71200100 Engine Mount	48

Big & Small Engine Mount	49
Muffler	50
Muffler Mounting, Right Side.....	51
Muffler Mounting, Left Side	51
C9997794G Thermostat	52
Oil cooling	53
C9997794I Oilthermostat	54
C9997791I Oil Tank	55
Oil Hose Connection (1).....	56
Oil Hose Connection (2).....	57
Propeller	58
Neuform Three Blade Propeller	58
Spinner Neuform Installation.....	59
Propeller Neuform Installation.....	60
Kaspar Three Bladed Propeller.....	61
Spinner Kaspar Installation	62
Propeller Kaspar Installation	63
Handle Mounting, Kaspar Propeller Control	65
Chapter 6: Flight Control.....	66
Engine Control	66
Covering Plate	67
KF76000100 — Throttle Box Mounting.....	68
Throttle Box.....	69
Stabilator Control	71
Stabilator Control (Forward Part)	71
KF27400100 - Control Stick.....	74
Rudder Control	75
Chapter 7: Systems	77
Fuel System	77
Side Wing Cap	77
Fuel Valve Installation	78
Gascolator Adapter	80
Fuel Line Connection	81
Fuel Valve Hard Assembly	82
Back Up Fuel Line.....	83
Brake System	84
Master Brake Cylinder	84
Master Brake Cylinder & Pin Installation.....	85
Check Valve, Installation	86
C9997793 - Fuel Filter Installation	87
Branch Installation	88
Heating & Ventilation System	89
Air Heater	89
C9993111B - Rubber.....	90
C9993188 - AERODUCT Tube CEET-7.....	91
Brackets	92
KF21400200 - Thermic Choke Connection.....	93
KF21400300 - Air Mixer	94
Air Terminal Unit.....	95

C9993188 - Hose NW 50mm	96
Electric System	97
Battery Installation	97
C9997187B - Capacitor Installation	98
C9997788A - Control Panel	99
Discrete Flap Control, Assembling	100
Mounting Dynon and Sensors	101
Fans, Dynon, Mounting	102
Damping, Fuel Pressure Sensor, Mounting	103
Sensor of Compass and OAT Sensor for Dynon, Installation	104
Installation Pitot Tube	106
Generator	107
C9997791A - Ducati	108
Ground 1	109
C9997494 - Starter Relay	110
Loft Wing Position Light Connection	111
Strobe Light Mounting	112
Light, Landing, Mounting	113
Block, Lighting, Instruments	114
Air Pressure System	115
Flange Installation	115
Compass	116
Added Accessories	117
Credits	118

Introduction

Dear Customer,

This is a catalogue of spare parts for the CT2K/CTSW ultra light airplane. We would really appreciate your co-operation if you find any kind of discrepancies or mistakes.

Our intention is the catalogue to contain comprehensive information on parts and units that the aircraft consists of and you would probably like to replace.

We plan over the time the catalogue to be available in two forms – CD and Internet.

The catalogue is simple to use. The standard approach of tree structures has been utilized.

On the top of the tree structure you can see the general view of the whole aircraft with arrows pointing to a certain system or unit and naming them. Clicking on a name you come to the more detailed next level picture (or pictures) outlining the system or unit and their options if applicable. The same principle is used on each level of the catalogue from the bottom to the top. On the very bottom of the catalogue you can find single details. On each level of catalogue the information about exact identification number (article) and prices is available, regardless whether this is a single part or a unit or system. To get back to the previous level of the catalogue just click on the button **“Go To PRevious vieW”** located on the **vieW HiSToRy** bar of Acrobat® Reader®.



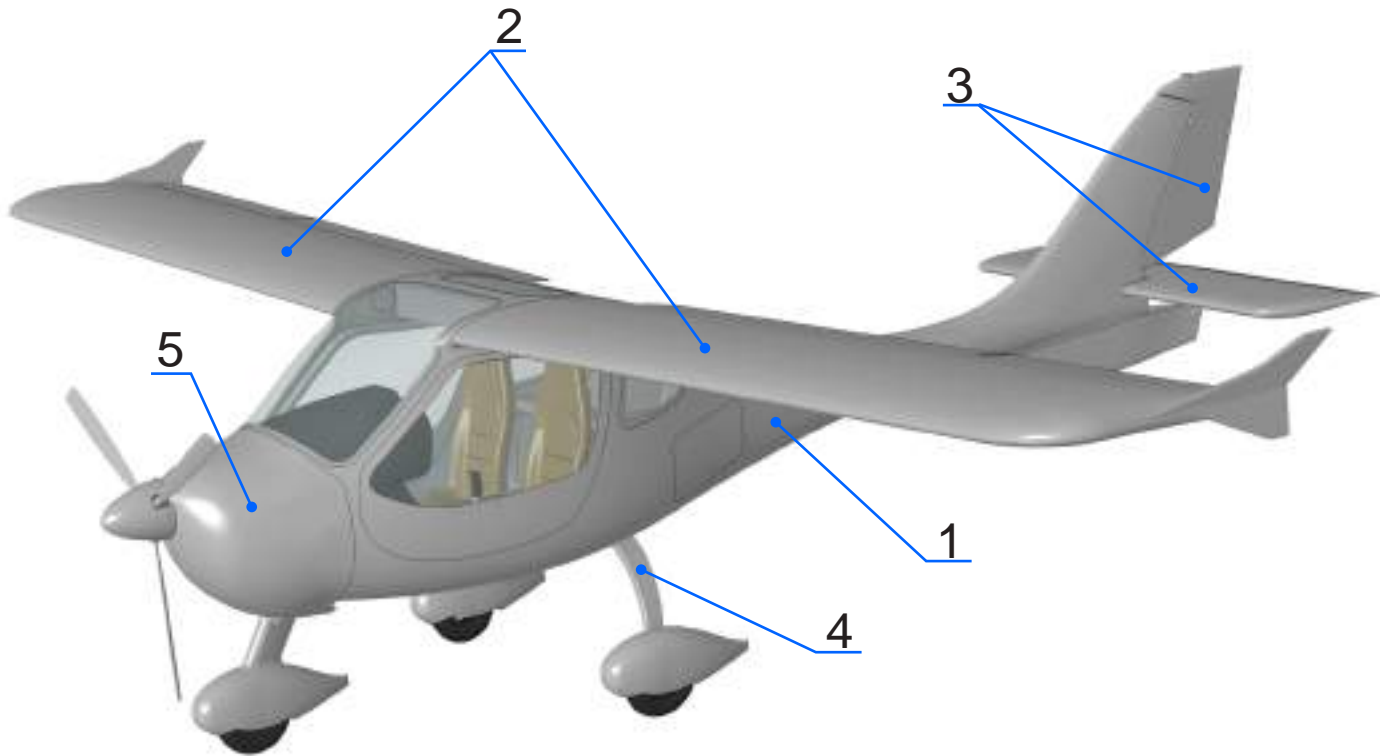
Blue links are for Detailed View,
Red links are for view part price.

You could also get to a certain page clicking on an item in the Table of Content.

We hope, our catalogue will give you complete information about parts & assembly units.

All your questions and suggestions please forward to: **info@esua.com.ua**.

Plane



1. *FuSeLaG e*
2. *WinGS*
3. *STabiLa ToR & RuDDe R*
4. *LanDinG Gear*
5. *PoWeR PLan T*
6. *FLiGHT ConTRo L*
7. *SySTem S*

CHAPTER 1: FUSELAGE

Designs

We propose three additional colour designs for you — Snow Design, Swing Design & Up Design. Each design has four colour schemes. You can choose one for your choice. This is an optional, you can choose it or not.

Standard Design



Wave Design



Storm Design



Classic Design



KF11100110-01 WAVE DESIGN 1



KF11100110-02 WAVE DESIGN 2



KF11100110-03 WAVE DESIGN 3



KF11100110-04 WAVE DESIGN 4



KF11100110-05 WAVE DESIGN 5



The colors reflected on the brochure are only approximations of the original colors.

KF11100120-01 STORM DESIGN 1



KF11100120-02 STORM DESIGN 2



KF11100120-03 STORM DESIGN 3



KF11100120-04 STORM DESIGN 4



KF11100120-05 STORM DESIGN 5



The colors reflected on the brochure are only approximations of the original colors.

KF11100130-01 CLASSIC DESIGN 1

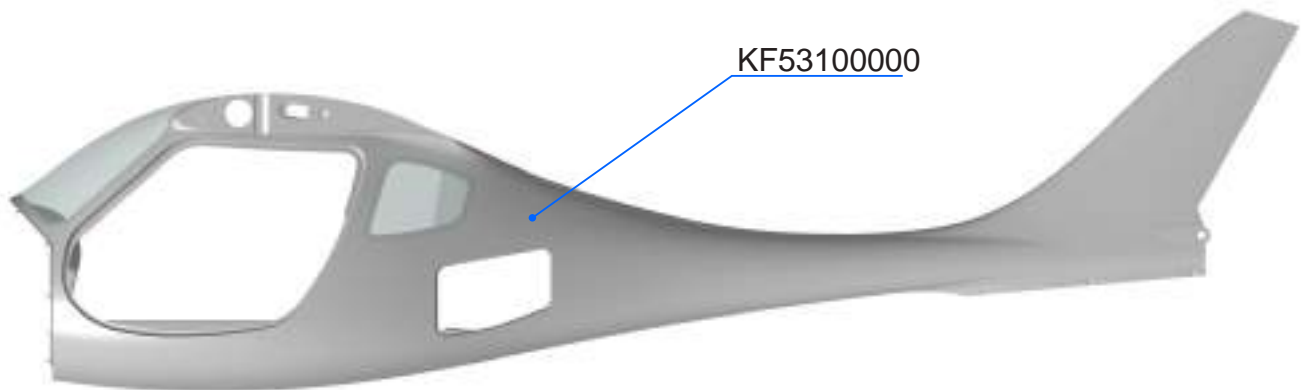
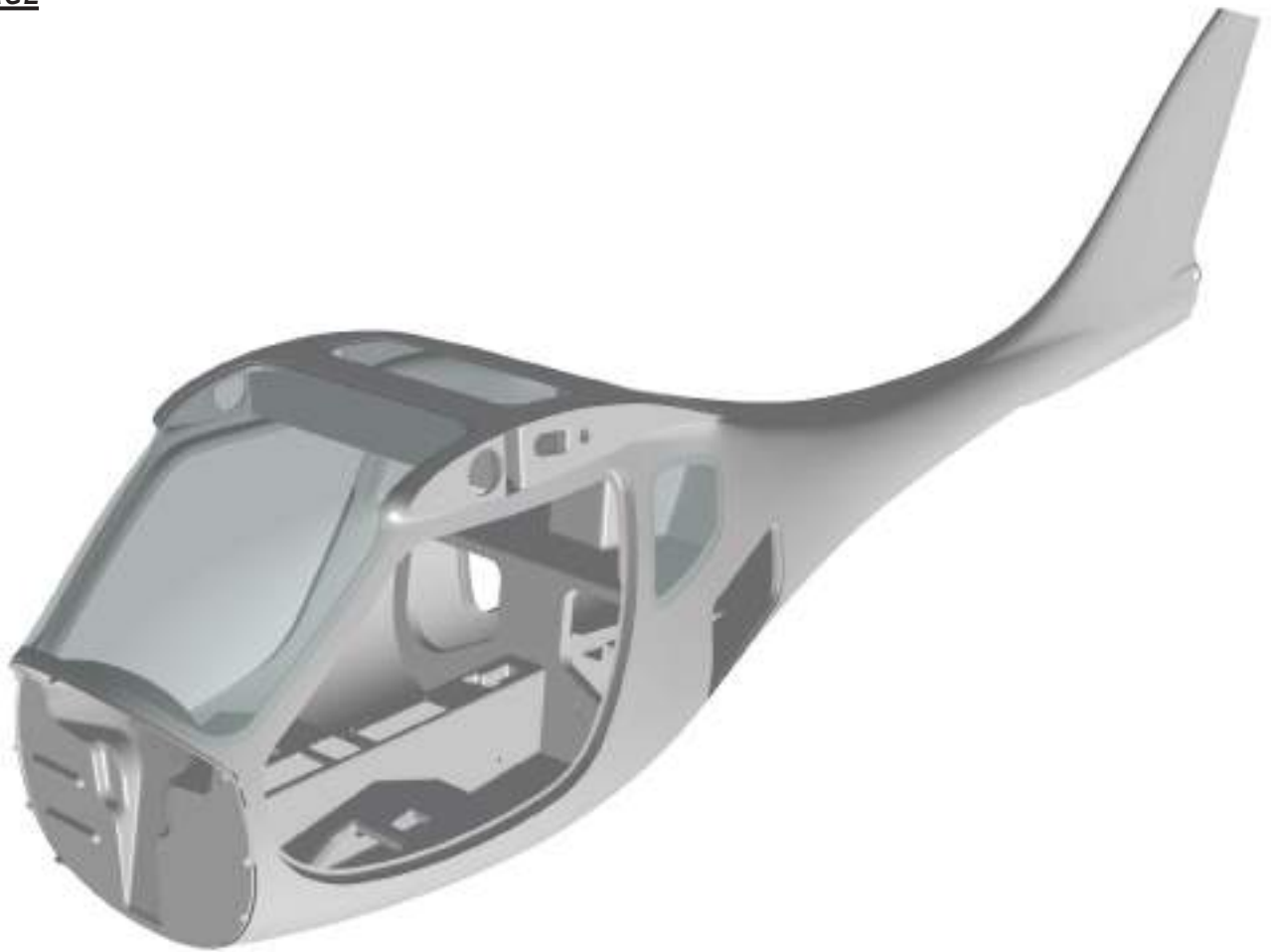


KF11100130-02 CLASSIC DESIGN 2



The colors reflected on the brochure are only approximations of the original colors.

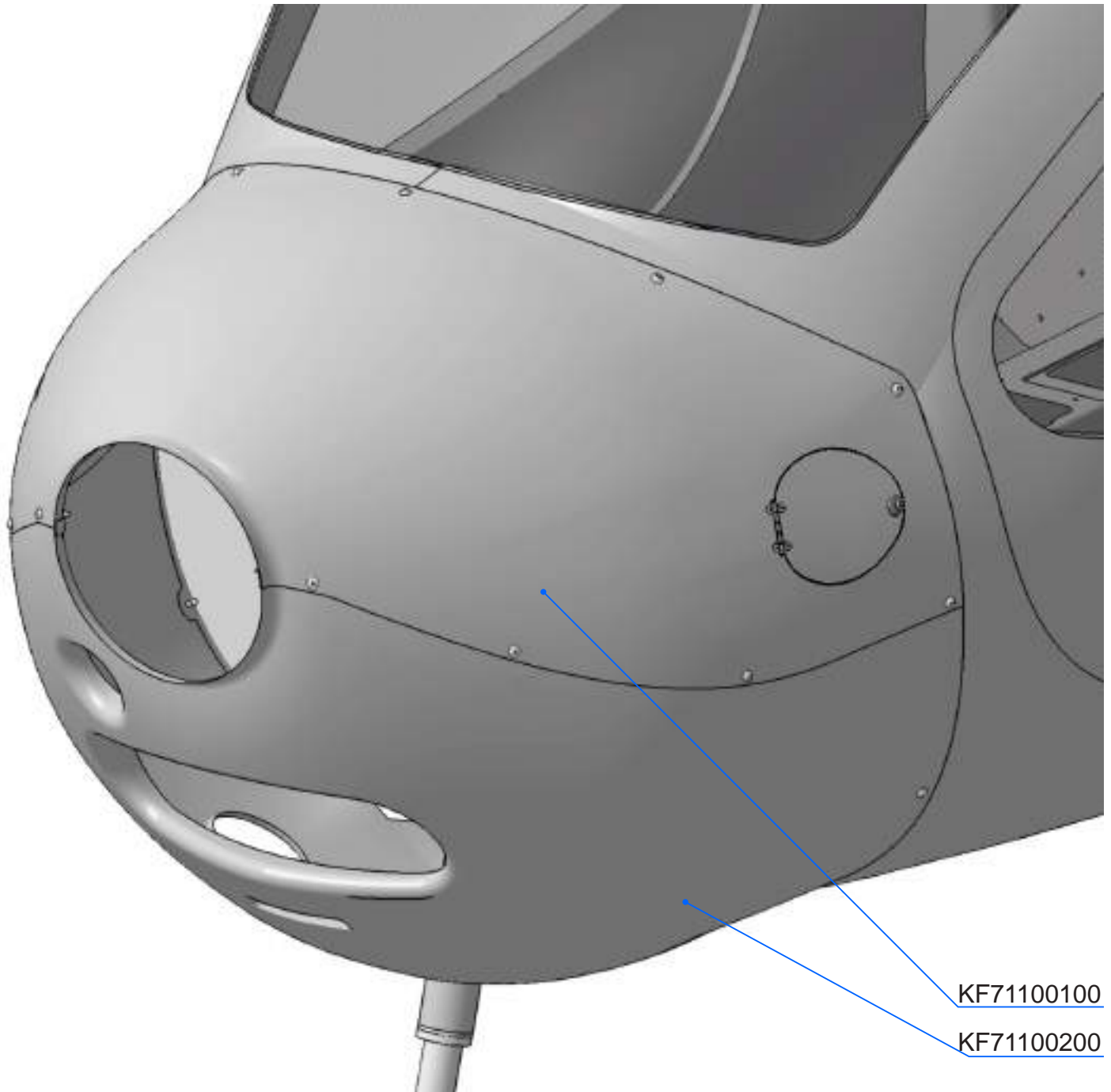
FUSELAGE



KF53100000

Part Number	Description	Q-ty per ASSY	Unit
KF53100000	Fuselage	1	pcs

Cowlings

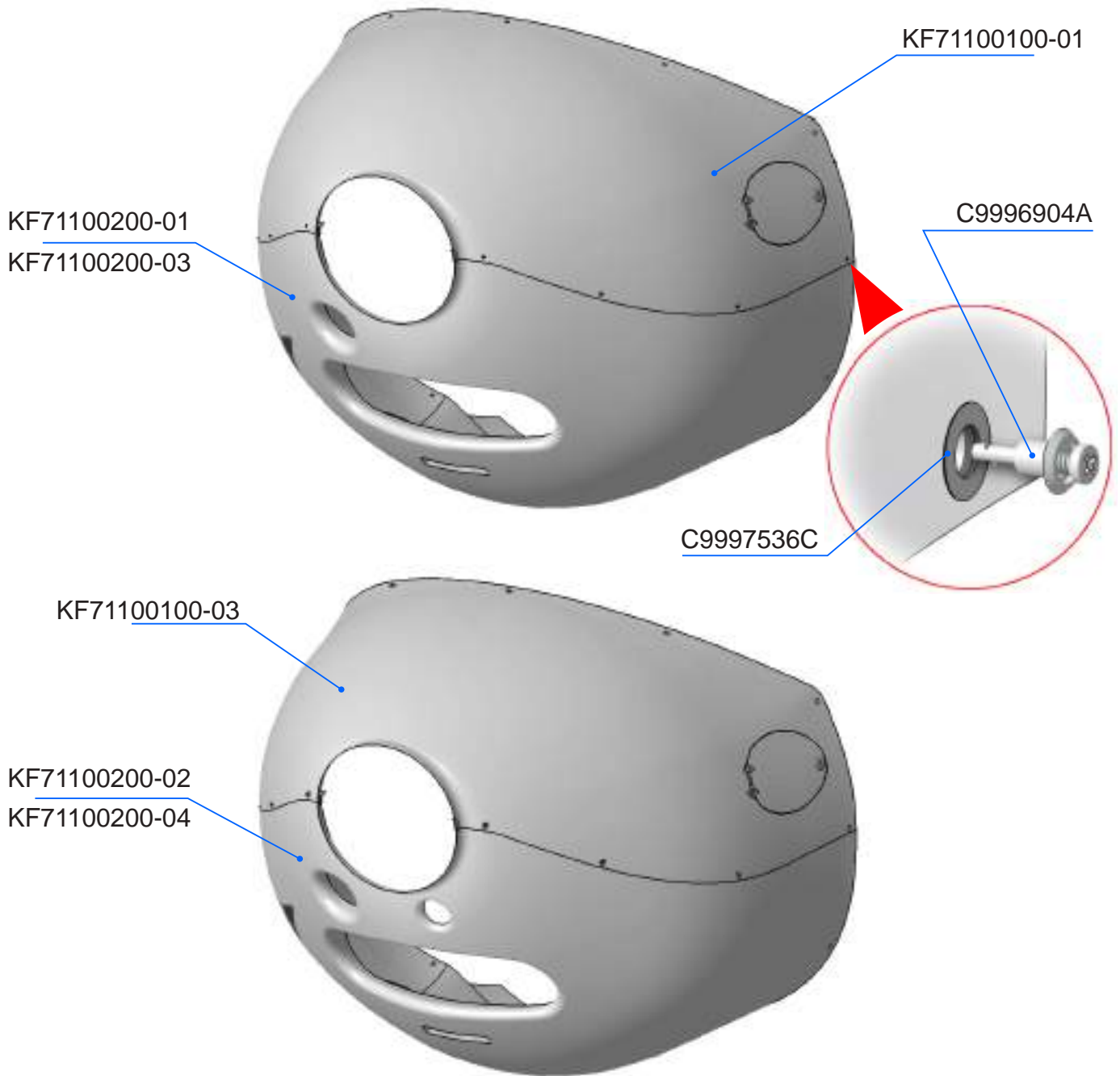


[KF71100100](#)

[KF71100200](#)

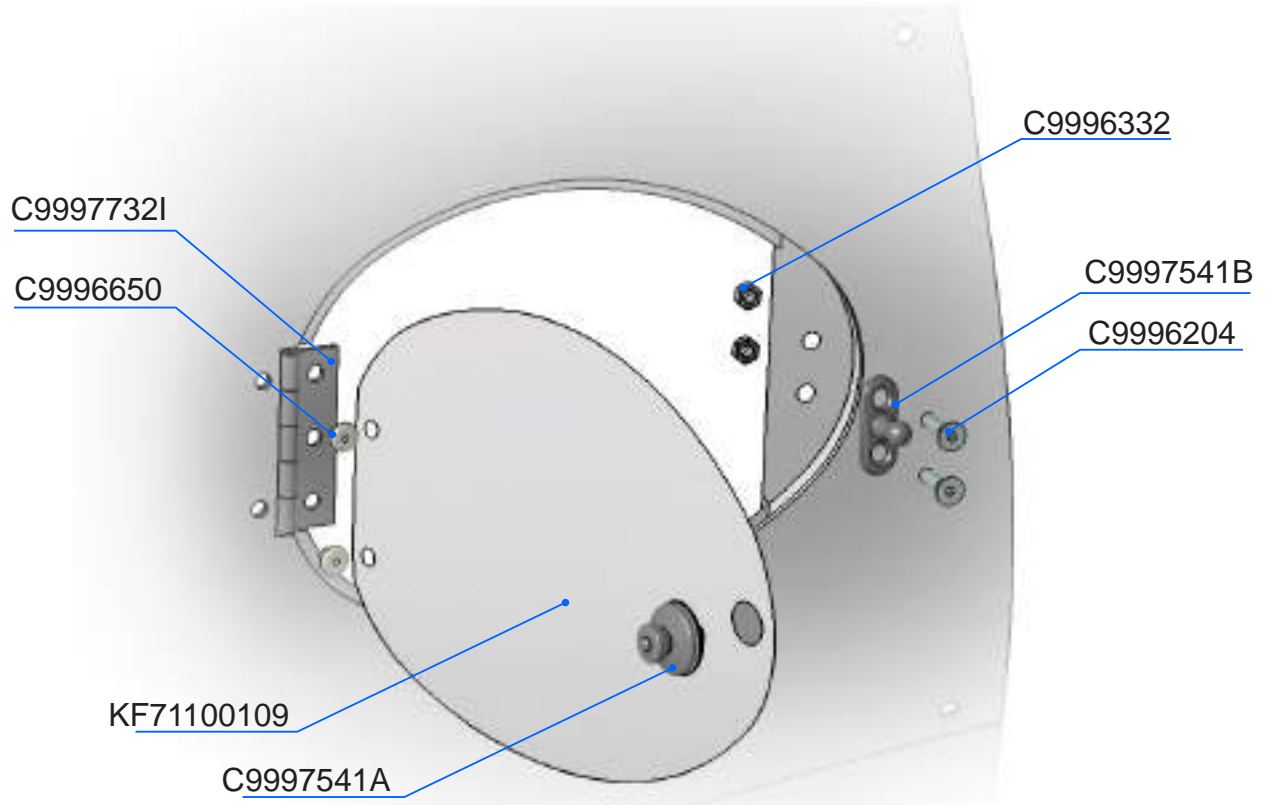
Part Number	Description	Q-ty per ASSY	Unit
KF71100100	Cowling, upper	1	pcs
KF71100200	Cowling, lower	1	pcs
C9996162	Screw ISO 7380 M5x16	24	pcs
C9996650	Stainl. steel rivet A2 4x7.5	4	pcs

KF71100000 - COWLINGS INSTALLATION



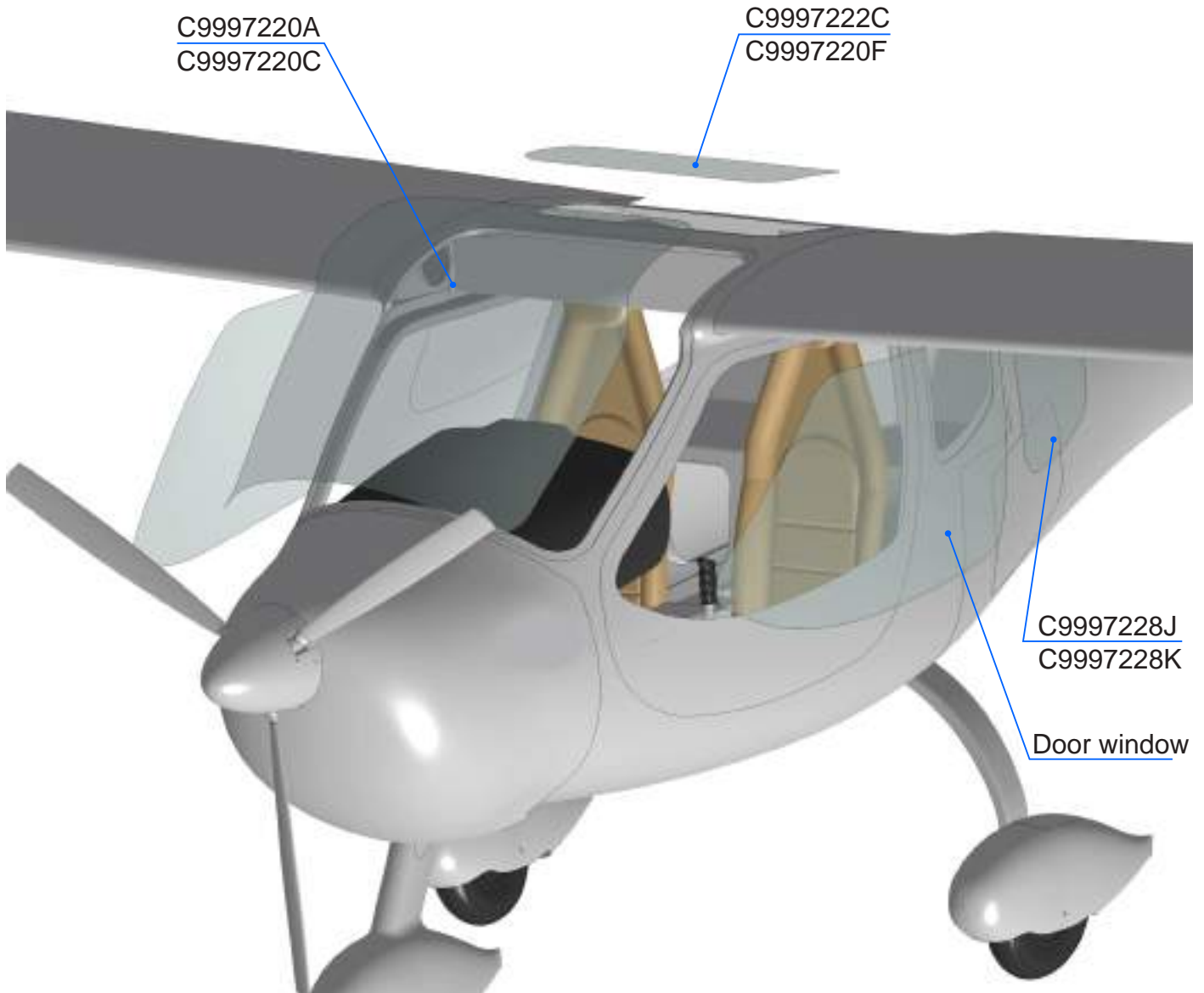
Part Number	Description	Q-ty per ASSY	Unit
KF71100100-01	Cowling, upper	1	pcs
KF71100100-03	Cowling, upper, reinforced	1	pcs
KF71100200-01	Cowling, lower	1	pcs
KF71100200-02	Cowling, lower with LED Landing Light	1	pcs
KF71100200-03	Cowling, lower reinforced	1	pcs
KF71100200-04	Cowling, lower, reinforced with LED Landing Light	1	pcs
C9996904A	Camloc fastener 2600-4	19	pcs
C9997536C	Cringle	19	pcs

UPPER COWLING HATCH



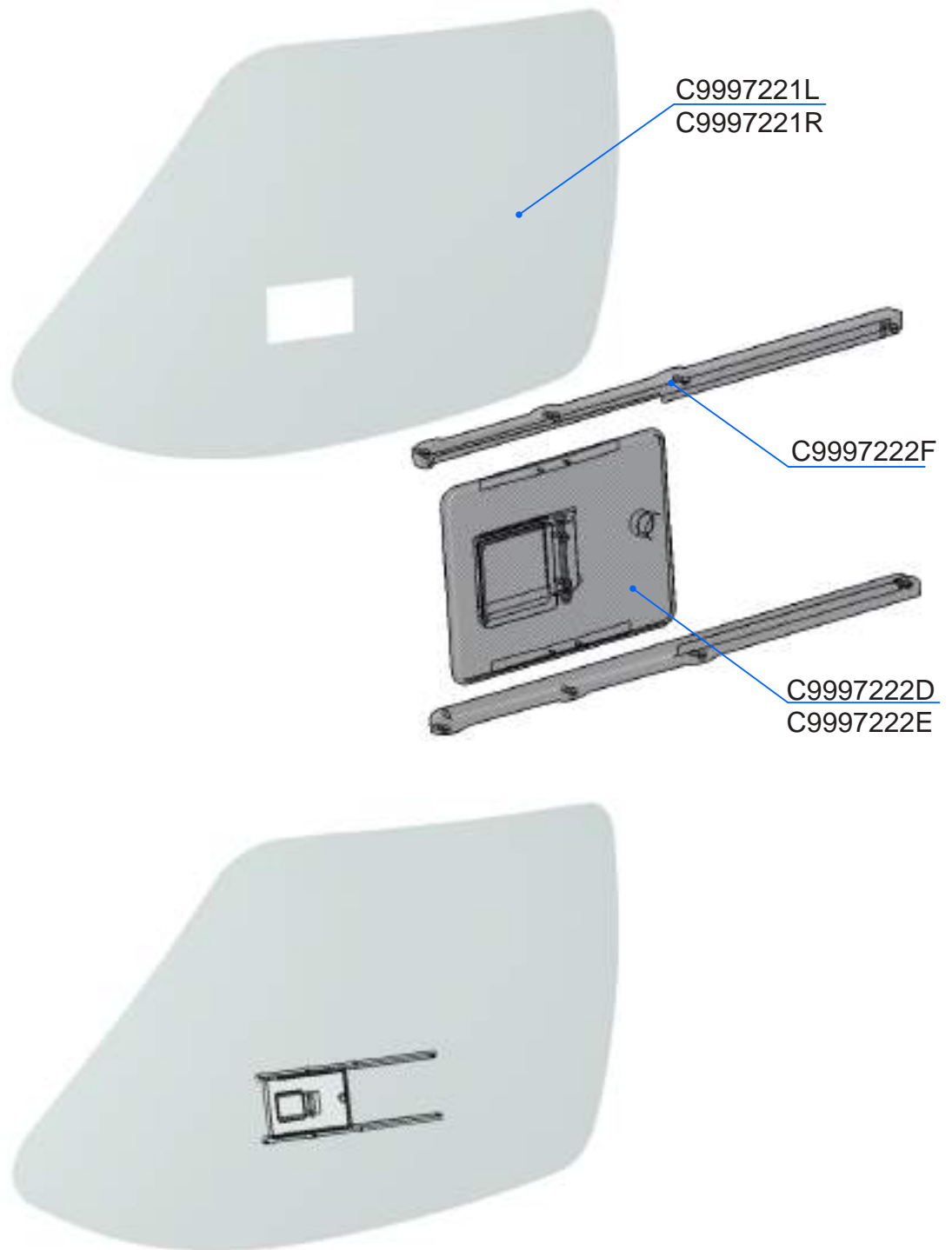
Part Number	Description	Q-ty per ASSY	Unit
KF71100109	Upper cowling hatch	1	pcs
C9996204	Bolt DIN 7991 M4x16-10,9	2	pcs
C9996332	Self-locking nut DIN 985-M4, regular	2	pcs
C9997541A	Button 01	1	pcs
C9997541B	Button 04	1	pcs
C9997732I	Hinger 50x31x1.1mm	1	pcs
C9996650	Stainl. steel rivet A2 4x7.5	4	pcs

Windows



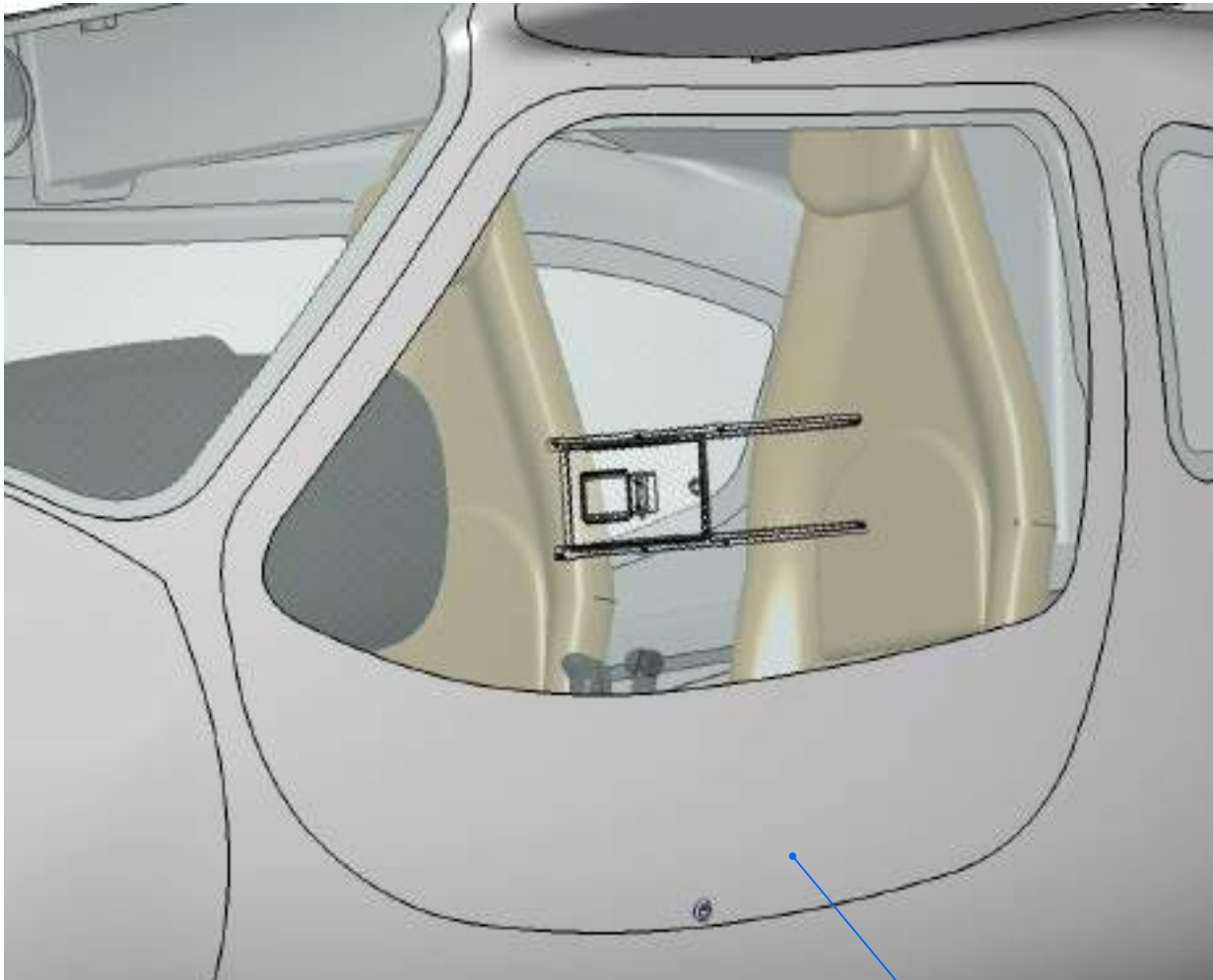
Part Number	Description	Q-ty per ASSY	Unit
C9997220A	Wind shield, green, 3mm	1	pcs
C9997220C	CT wind shield 14031, green, 3mm.	1	pcs
C9997220F	Upper window, 14031, green, 3mm.	1	pcs
C9997222C	CT Upper window, green	1	pcs
C9997228J	Additional small window, left, 3mm, green tinted	1	pcs
C9997228K	Additional small window right, 3mm, green tinted	1	pcs

DOOR WINDOW

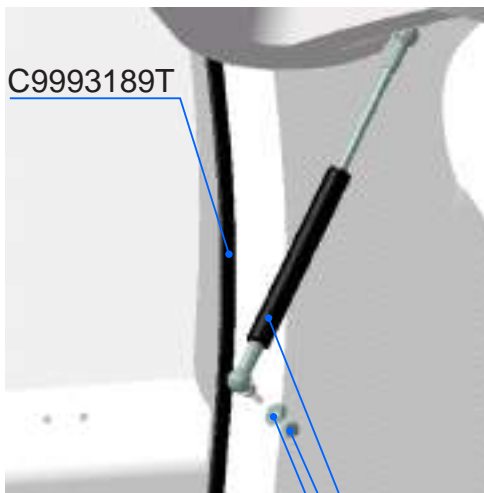


Part Number	Description	Q-ty per ASSY	Unit
C9997221L	Door window LH with cut out for window, green	1	pcs
C9997221R	Door window RH with cut out for window, green	1	pcs
C9997222D	Sliding window left green	1	pcs
C9997222E	Sliding window right green	1	pcs
C9997222F	Guides set for sliding window Mecaplex	2	pcs
C9997228G	Door window left, green, with sliding window	1	set
C9997228H	Door window right, green, with sliding window	1	set

Doors



[KF52100100](#)



[C9993189T](#)

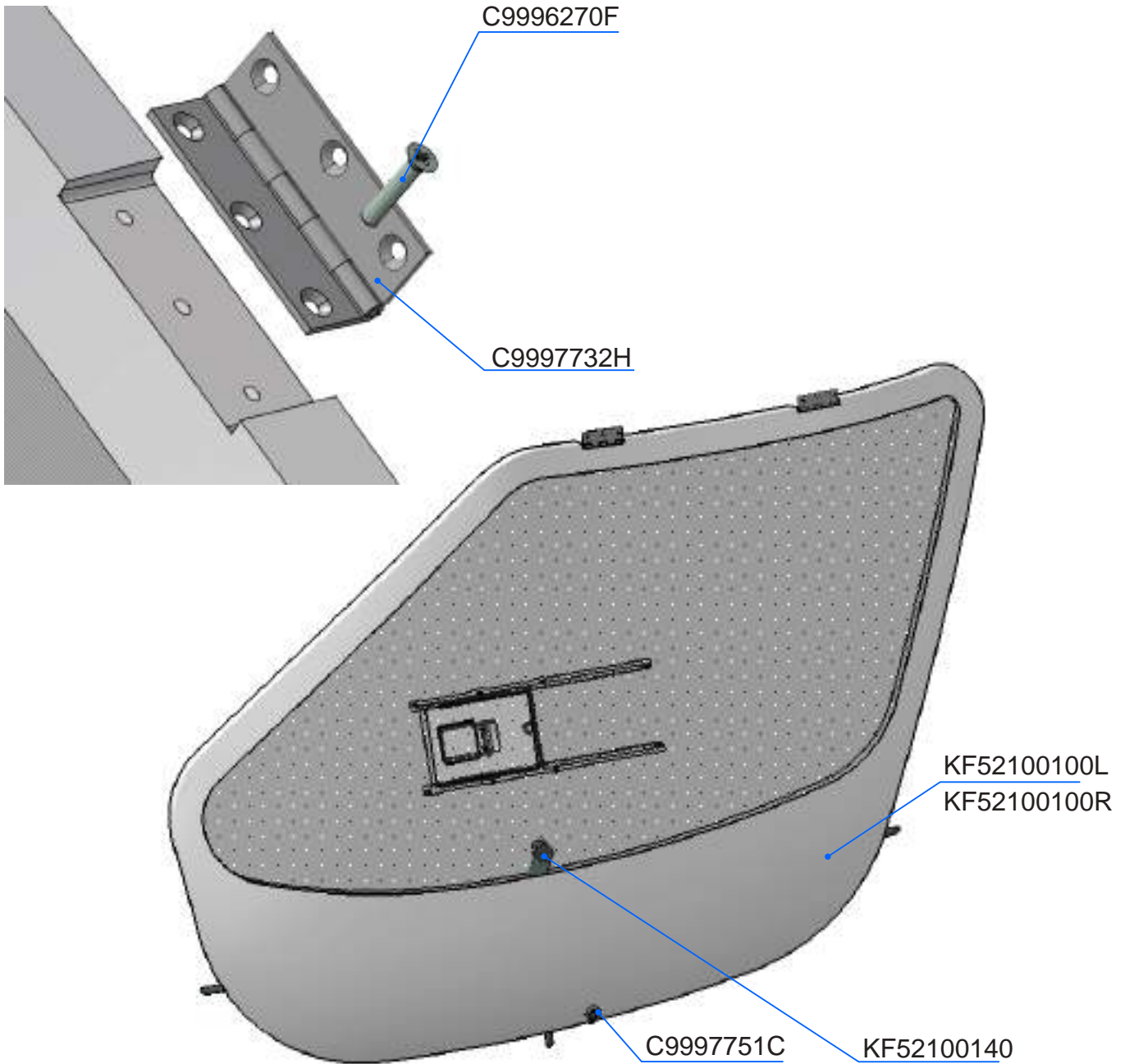
[C9997737D](#)

[C9996333](#)

[C9996563](#)

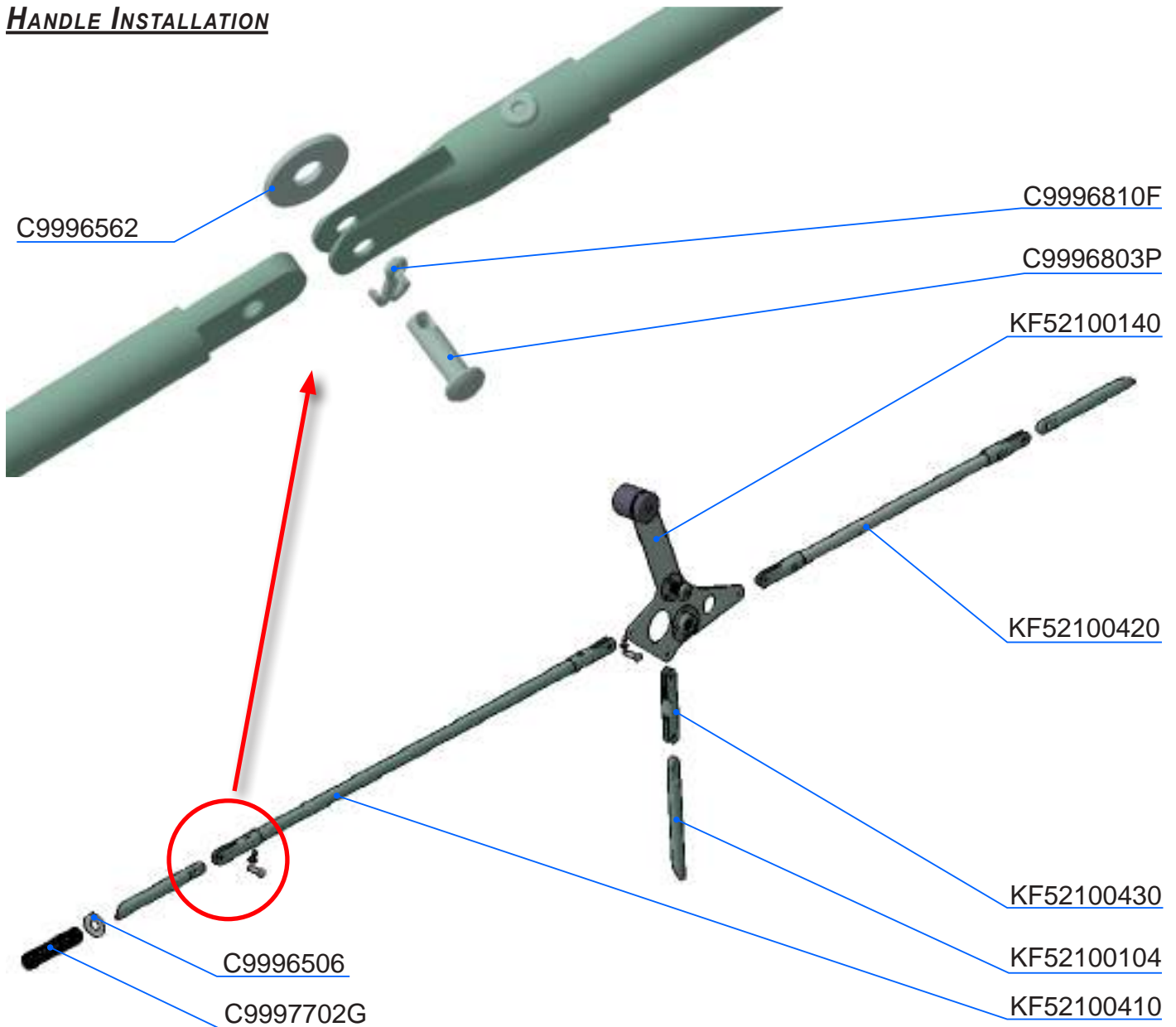
Part Number	Description	Q-ty per ASSY	Unit
KF52100100	Door unit	1	pcs
C9993189T	Door seal	8	m
C9996333	Self-locking nut DIN 985-M5, regular	2	pcs
C9996563	Washer DIN 9021-5.3mm VZ	2	pcs
C9997737D	Gas-spring, with elbow joints	2	pcs

KF52100100 - DOOR WITH SMALL WINDOW



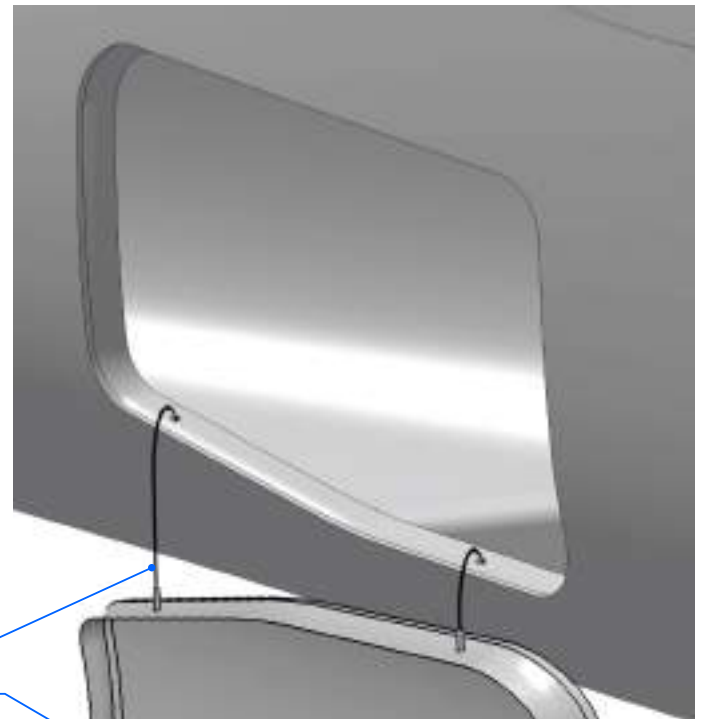
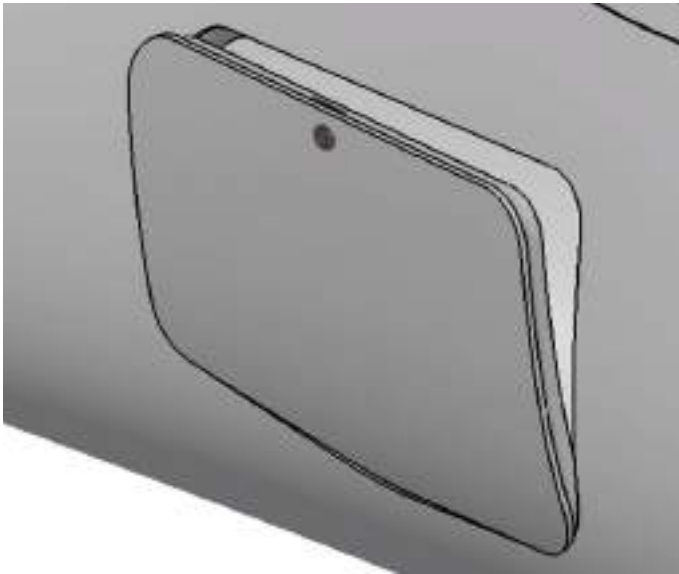
Part Number	Description	Q-ty per ASSY	Unit
KF52100100L	Door unit, left	1	set
KF52100100R	Door unit, right	1	set
KF52100140	Handle	1	pcs
C9996161	Screw ISO 7380 M5x12	3	pcs
C9996270F	Machine screw DIN 965 M4x20 A2	12	pcs
C9997732H	Brass hinge 60x40mm brass pin	2	pcs
C9997751C	Cylinder lock ZS77	1	set

HANDLE INSTALLATION

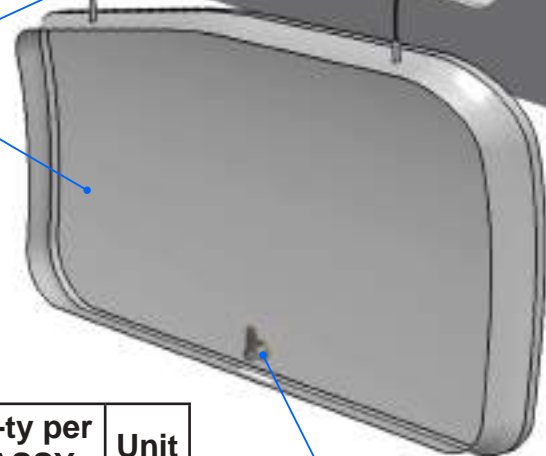


Part Number	Description	Q-ty per ASSY	Unit
KF52100140	Handle	1	pcs
KF52100410	Forward rod	1	pcs
KF52100420	Rear rod	1	pcs
KF52100430	Lower rod	1	pcs
KF52100104	Tip	3	pcs
C9996259A	Bolt DIN 931 M6x30-8.8	1	pcs
C9996506	Washer DIN 125 A-10.5mm VZ	1	pcs
C9996562	Washer DIN 9021-4.3 mm VZ	6	pcs
C9996803P	Pin SBB04x11	6	pcs
C9996810F	Cotter pins 2.0x16	6	pcs
C9997702G	Compression spring 1x12x60 zinc plated	1	pcs

BAGGAGE HATCHES



C9993881
 KF52300100L
 KF52300100R

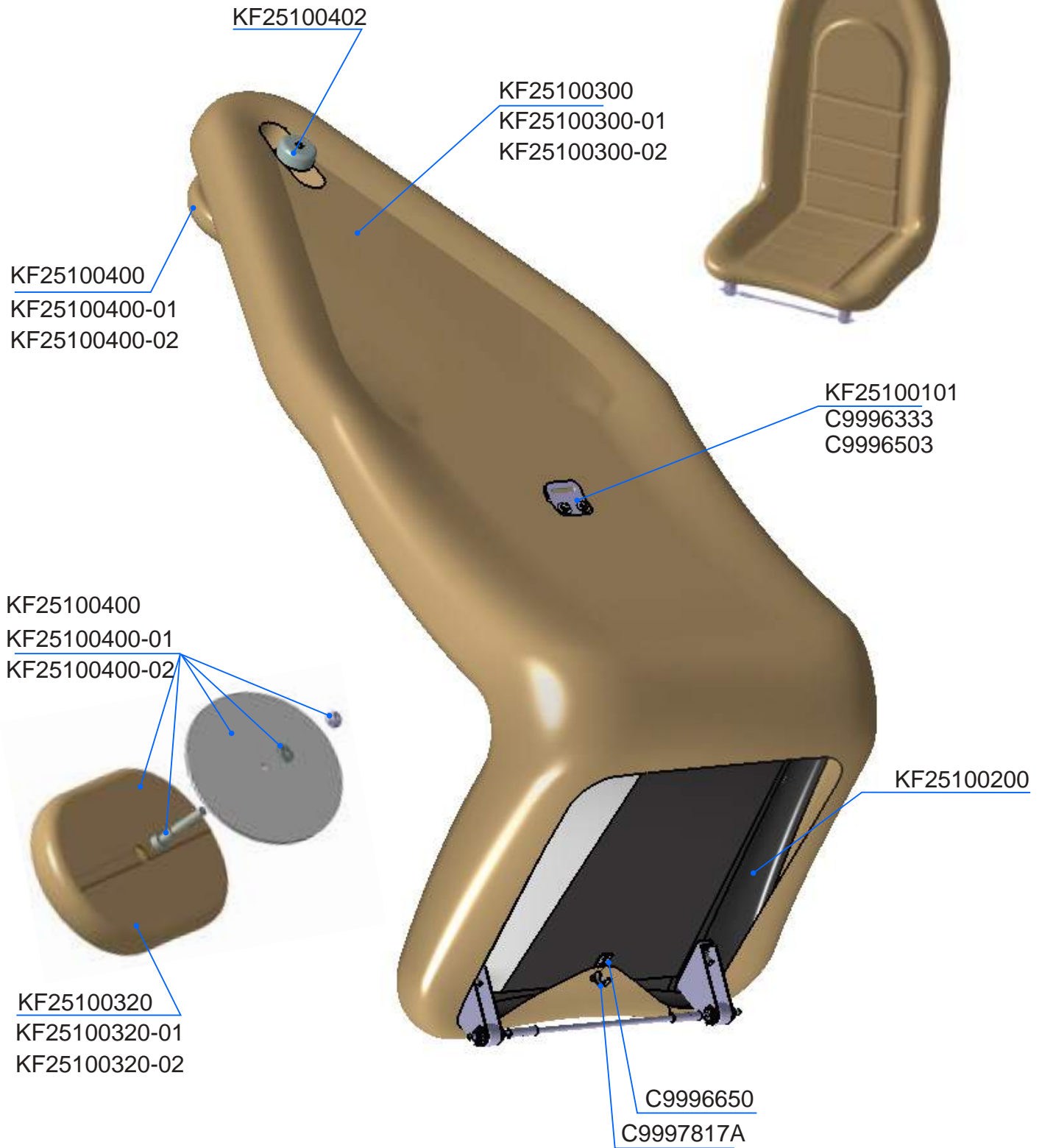


C9997751E

Part Number	Description	Q-ty per ASSY	Unit
KF52300100L	Baggage door, left	1	pcs
KF52300100R	Baggage door, right	1	pcs
C9993190H	PTFE tube 6x1	0.4	m
C9993881	Line Dyneema 1.5mm blue	0.75	m
C9997751E	Cam lock ZS 77 keyed (1 set consists of 4 cam locks ZS 77 keyed alike with 2 keys each)	1	set

Seats

KF25100200 - SEAT, SPORT WITH HEADREST



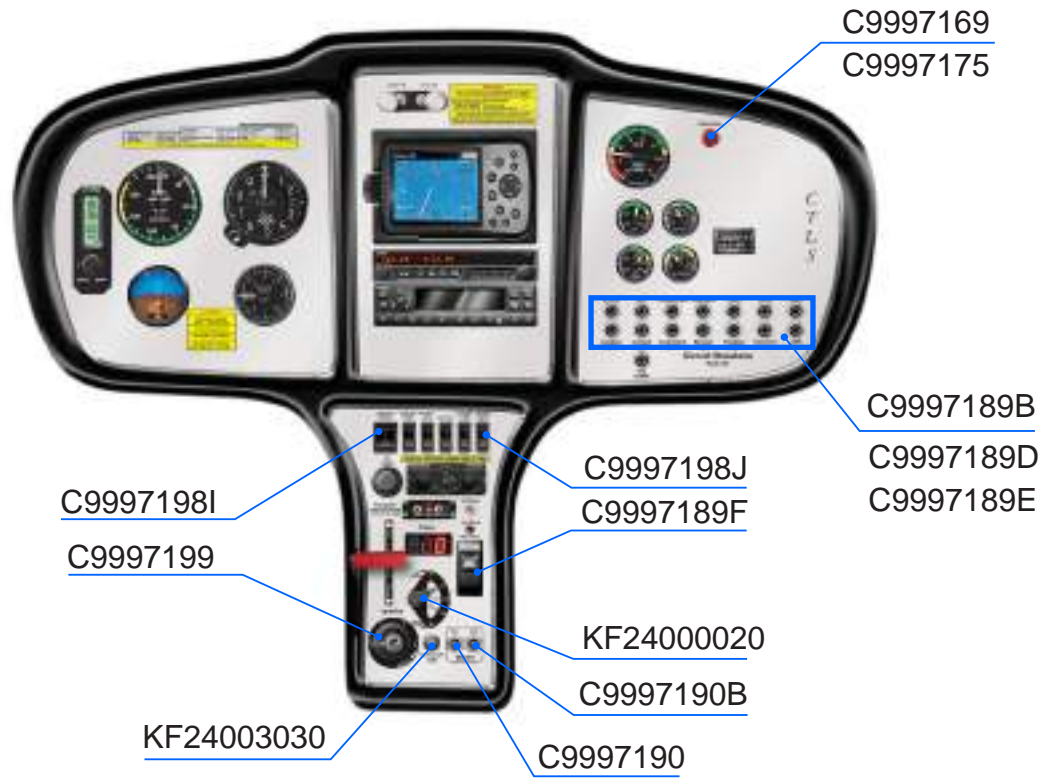
Part Number	Description	Q-ty per ASSY	Unit
KF25100300	Seat cover, sport, fabric	1	pcs
KF25100300-01	Seat cover, sport, black leather	1	pcs
KF25100300-02	Seat cover, sport, brown leather	1	pcs
KF25100101	Belt eye	1	pcs
KF25100104	Roller	2	pcs
KF25100105	Axis	2	pcs
KF25100106	Pin	2	pcs
KF25100110	Pivot assembly	2	pcs
KF25100200	Seat, sport with headrest	1	pcs
KF25100320	Head-rest, fabric	1	psc
KF25100320-01	Head-rest, black leather	1	psc
KF25100320-02	Head-rest, brown leather	1	psc
KF25100400	Head-rest, Assembly, fabric	1	set
KF25100400-01	Head-rest, Assembly, black leather	1	set
KF25100400-02	Head-rest, Assembly, brown leather	1	set
KF25100402	Fixator	1	pcs
C9993172F	Shrinking hose 6.4-3.2	0.07	m
C9993190H	PTFE tube 6x1	0.215	m
C9996057	Bolt DIN 912 M6x20-8.8	2	pcs
C9996058	Bolt DIN 912 M6x25-8.8	2	pcs
C9996333	Self-locking nut DIN 985-M5, regular	2	pcs
C9996334	Self-locking nut DIN 985-M6, regular	5	pcs
C9996503	Washer DIN 125 A2-5.3mm	2	pcs
C9996504	Washer DIN 125 A2B-6.4mm	4	pcs
C9996565	Washer DIN 9021-6.4mm VZ	4	pcs
C9996650	Stainl. steel rivet A2 4x7.5	2	pcs
C9997031	Lock ring DIN 471-14x1	2	pcs
C9997051	Nicopress oval sleeve 1.5-1.7 mm for 1.6mm cable	2	pcs
C9997065D	Steel rope 7x7 1.6 mm	0.8	m
C9997702C	Compression spring 1x8x28.5x8.5	2	pcs
C9997817A	Hook SS2516	1	pcs

Instrument Panel



Part Number	Description	Q-ty per ASSY	Unit
KF34001000	Instrument Board	1	pcs

CTSW CLASSIC

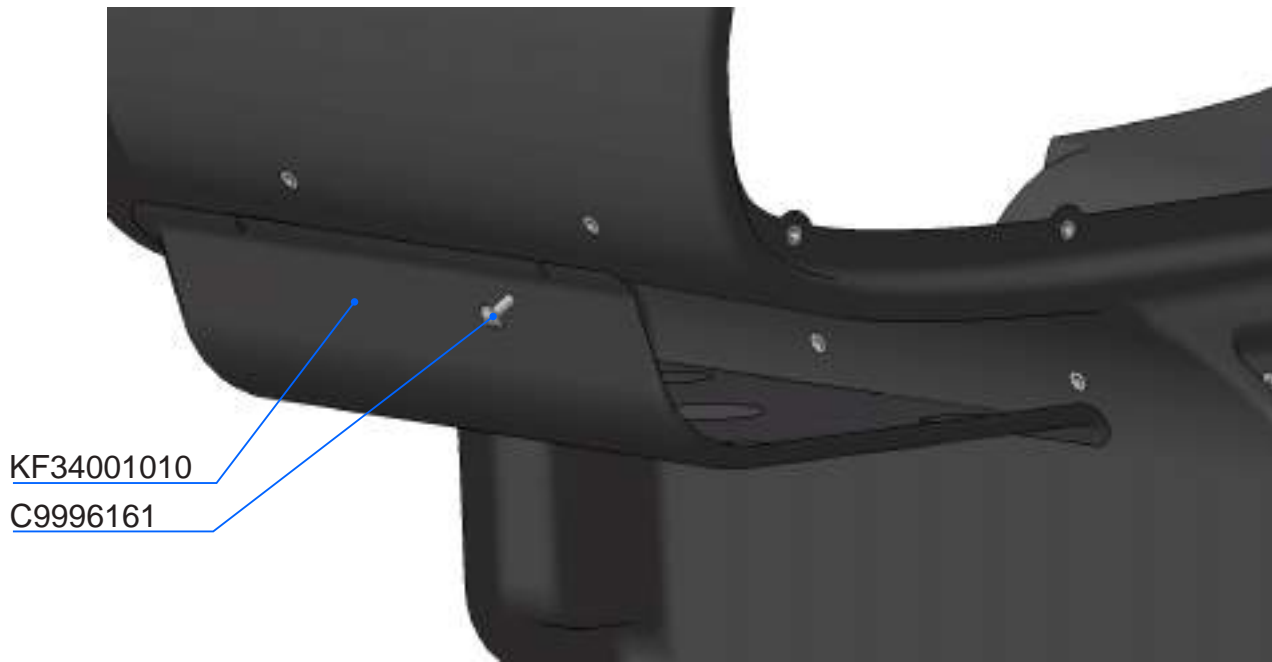


CTSW ADvanCeD



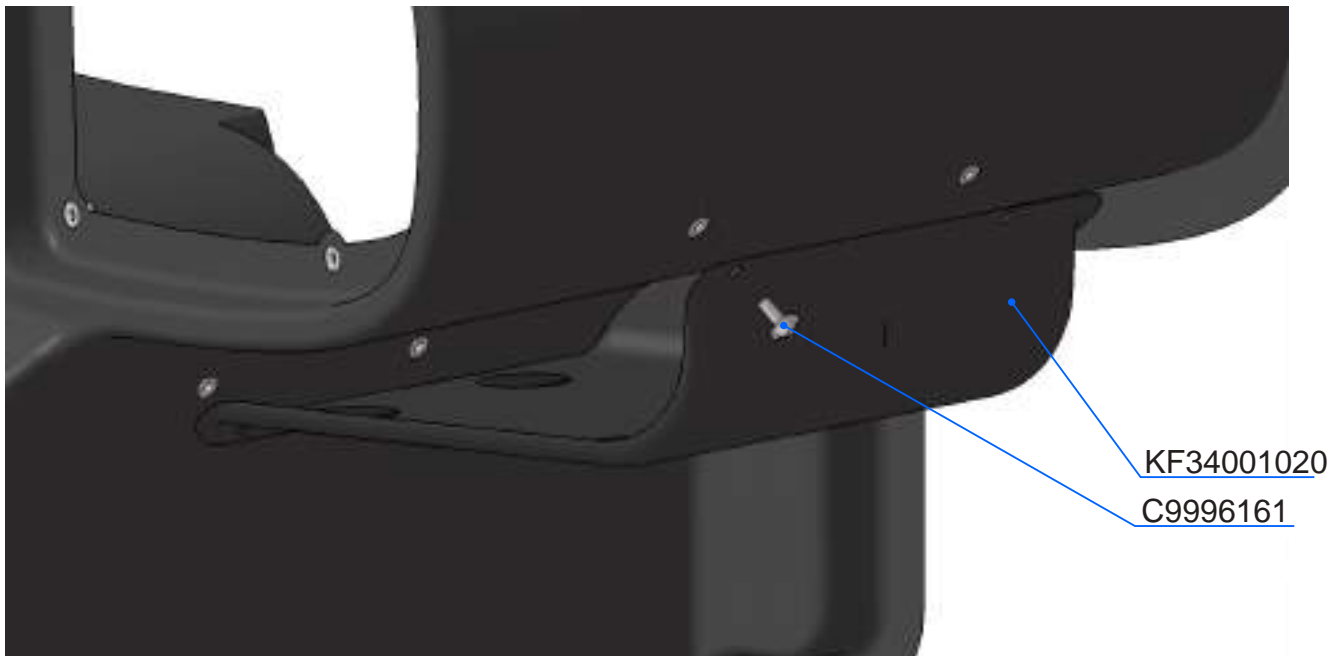
Part Number	Description	Q-ty per ASSY	Unit
KF34001102	Panel left section, Big Mushroom, blank	1	pcs
KF34001202	Panel middle section, Big Mushroom, blank	1	pcs
KF34001302	Panel right section, Big Mushroom, blank	1	pcs
KF34001402	Panel low section, Big Mushroom, blank	1	pcs
KF24000020	Discrete Flap Control, Circuit diagram	1	pcs
KF24003030	Brightness Control	1	pcs
C9997169	Lamp E10	1	pcs
C9997175	Lamp holder red	1	pcs
C9997189B	Puschbutton Thermal 5A	1	pcs
C9997189D	Puschbutton Thermal 10A	1	pcs
C9997189E	Puschbutton Thermal 2A	1	pcs
C9997189F	Circuit breaker Thermal	1	pcs
C9997190	Pushbutton Thermal 109S, 25A	1	pcs
C9997190B	Pushbutton Thermal, 30A	1	pcs
C9997198I	Switch A-E 16A/250V O/I 30 X 22	1	pcs
C9997198J	Switch A-E 16A/250V O/I 30 X 11	5	pcs
C9997199	Ignition switch	1	pcs

KF34001010 MAP SHELF, BIG (LEFT)



Part Number	Description	Q-ty per ASSY	Unit
KF34001010	Map shelf, big	1	pcs
C9996161	Screw ISO 7380 M5x12	4	pcs

KF34001020 MAP SHELF, SMALL (RIGHT)



Part Number	Description	Q-ty per ASSY	Unit
KF34001020	Map shelf, small	1	pcs
C9996161	Screw ISO 7380 M5x12	40	pcs

Set of Pockets For Map

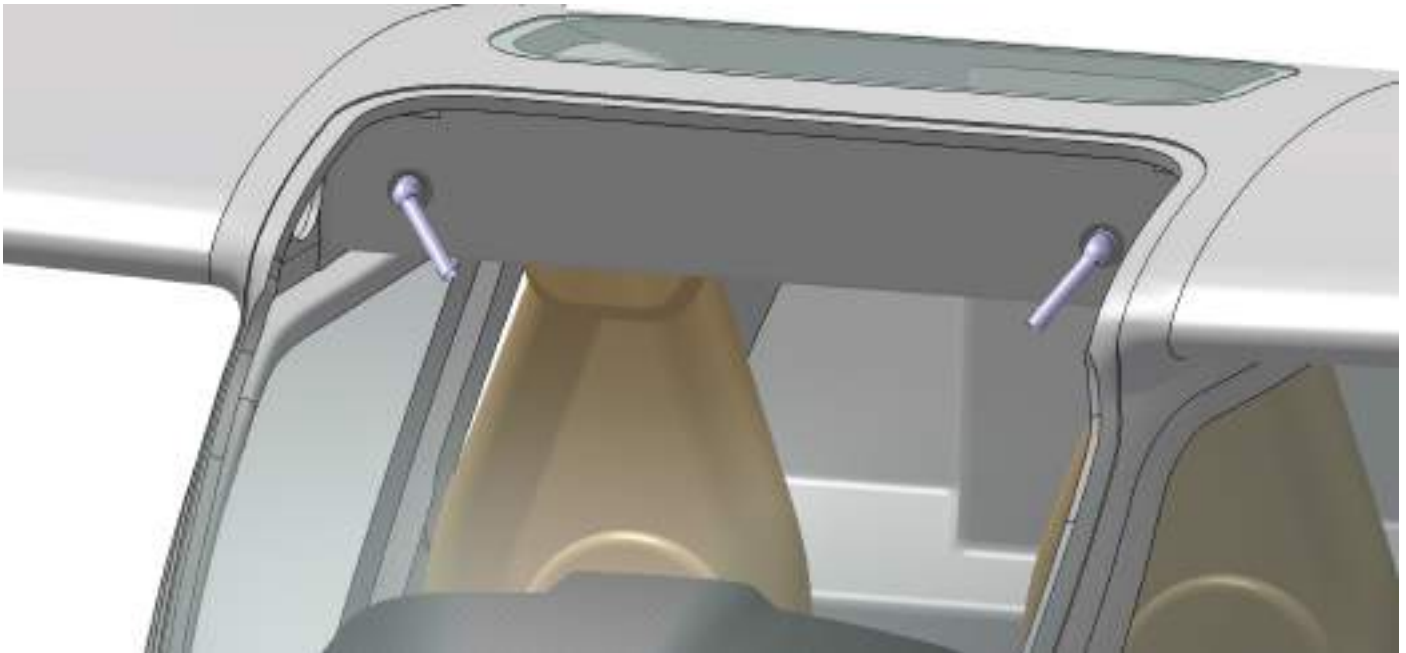
KF25102010 - POCKET, DOOR



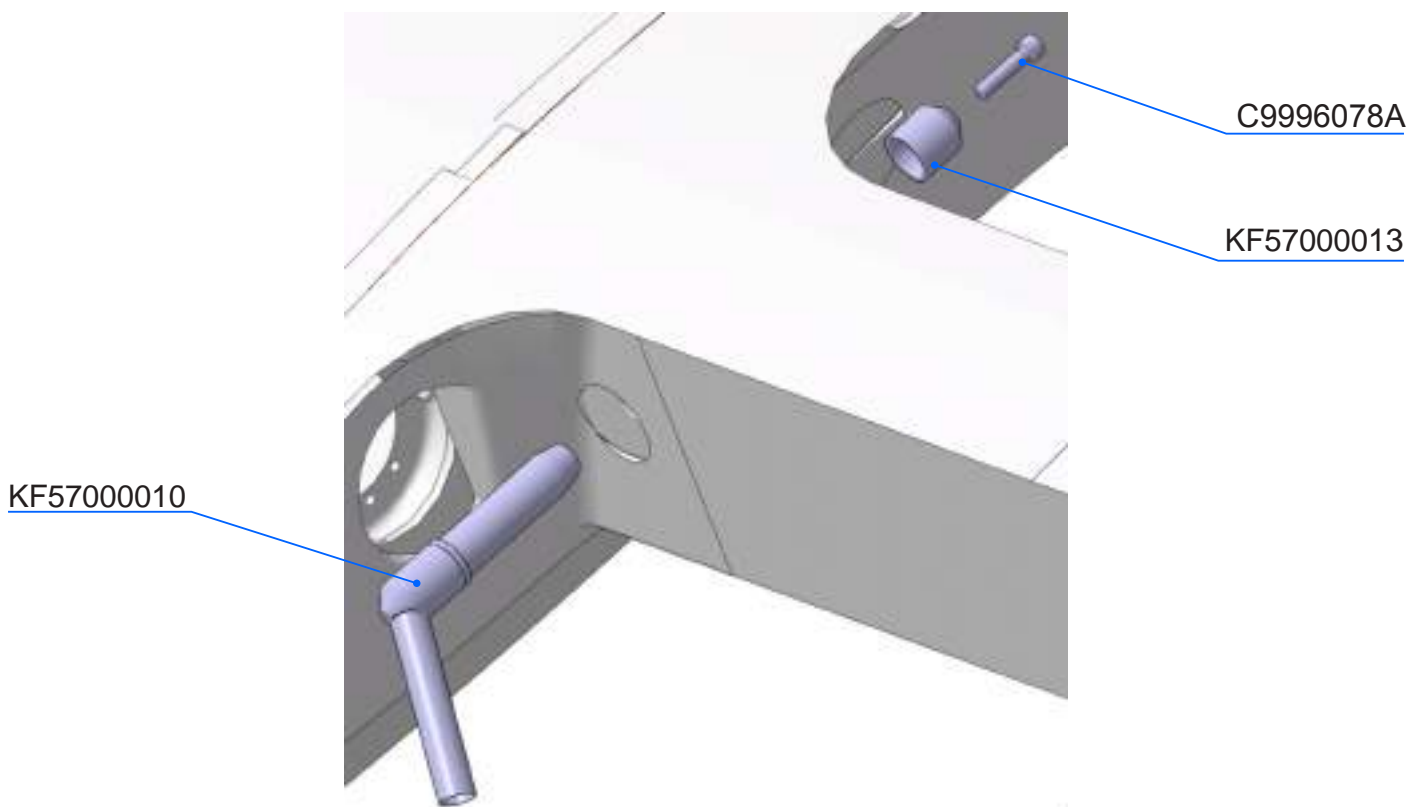
Part Number	Description	Q-ty per ASSY	Unit
KF25102010	Pocket, Door, Fabric, grey	1	set
KF25102010-01	Pocket, Door, Leather substitutor (white based)	1	set
C9996270F	Machine screw DIN 965-M4x20 A2-70	2	pcs
C9996833	Countersunk rivet nut, steel, M4 A2	2	pcs
C9997542A	Upper cap for Press button TRW 10127	2	pcs
C9997542B	Sleeve for Press button TRW 10224	2	pcs
C9997542C	Bush for Press button TRW 10370	2	pcs

CHAPTER 2: WING

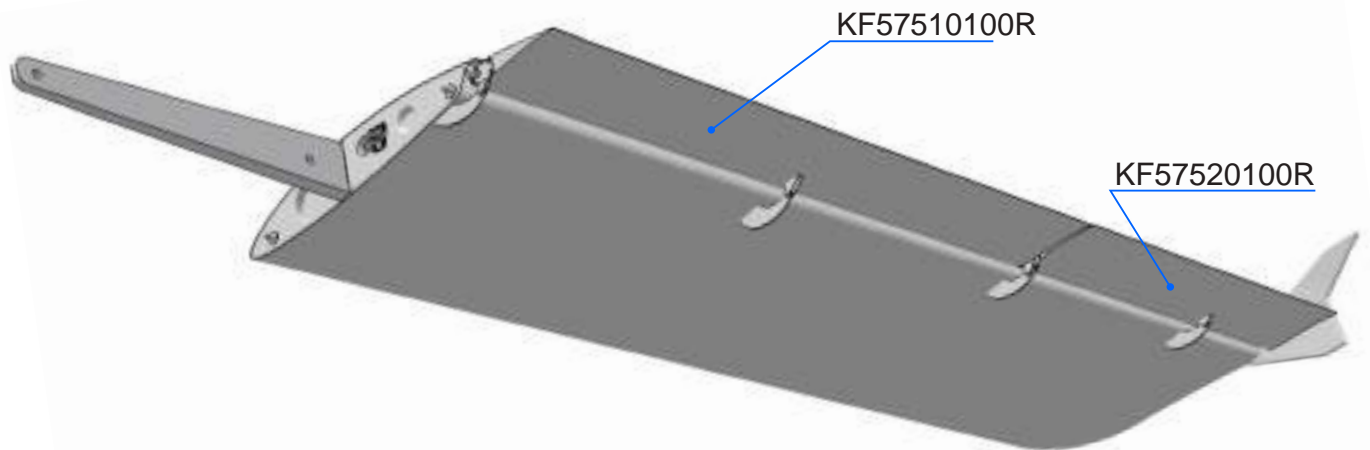
Mounting of Wing Consoles



Part Number	Description	Q-ty per ASSY	Unit
KF57000010	Main bolt	2	pcs
KF57000013	Cap	2	pcs
C9996078A	Bolt DIN 912 M8x35-8.8	2	pcs

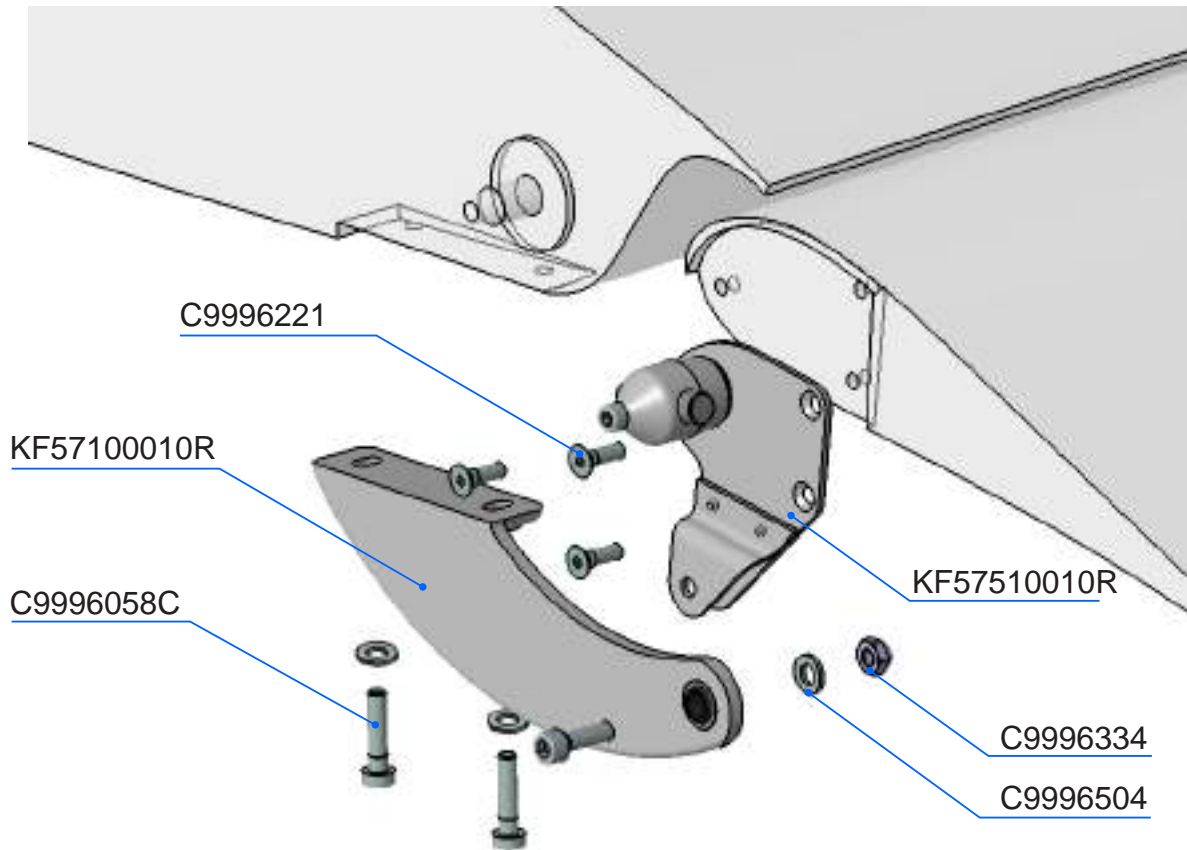


KF57100000 - WING CONSOLE, RIGHT



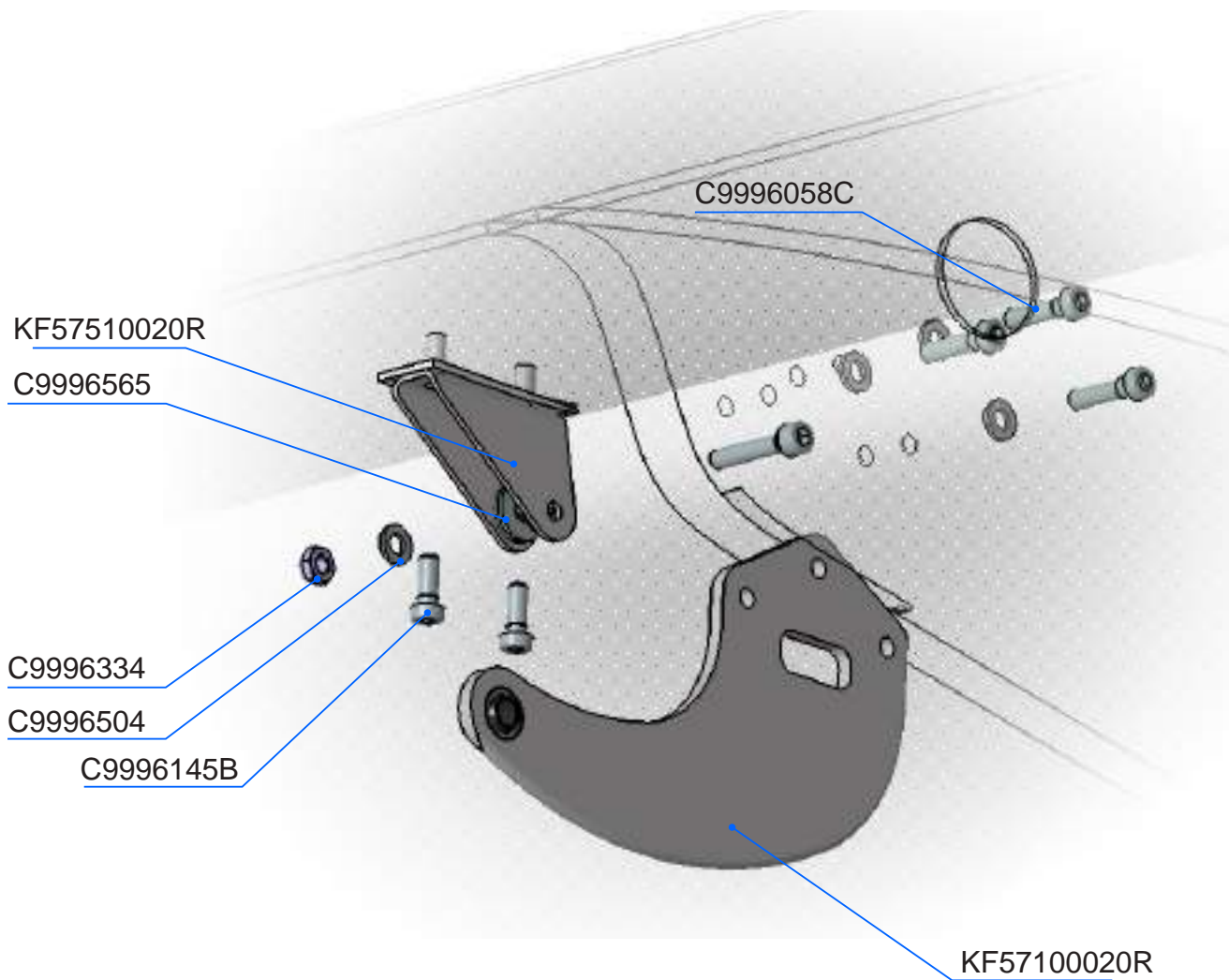
Part Number	Description	Q-ty per ASSY	Unit
KF57100100	Wing, Right	1	pcs
KF57520100	Aileron, Right	1	pcs
KF57510100	Flap, Right	1	pcs
KF57100010	Pivot, Wing No1	1	pcs
KF57100020	Pivot, Wing No2	1	pcs
KF57100030	Pivot, Wing No3	1	pcs
KF57100040	Pivot, Wing No4	1	pcs
KF57510010	Pivot, Flap No.1	1	pcs
KF57510020	Pivot, Flap No.2, Right	1	pcs
KF57510030	Pivot, Flap No.3	1	pcs
KF57520010	Pivot, Aileron No.1, Right	1	pcs
KF57520020	Pivot, Aileron No.2, Right	1	pcs
KF57100005	Bolt	1	pcs
KF57100006	Bolt	1	pcs
C9996221	Bolt DIN 7991 M5x16 A2	8	pcs
C9996219	Bolt DIN 7991 M6x35 A2	1	pcs
C9996145B	Bolt DIN 7984-M6x16-A2	4	pcs
C9996334	Self-locking nut DIN 985-M6, regular	5	pcs
C9996504	Washer DIN 125 A2B-6.4mm	19	pcs
C9996565	Washer DIN 9021-6.4mm VZ	11	pcs
C9997006A	Rod end bearing, ext. thread GA6	1	pcs

KF57100010R - PIVOT, WING No1, RIGHT

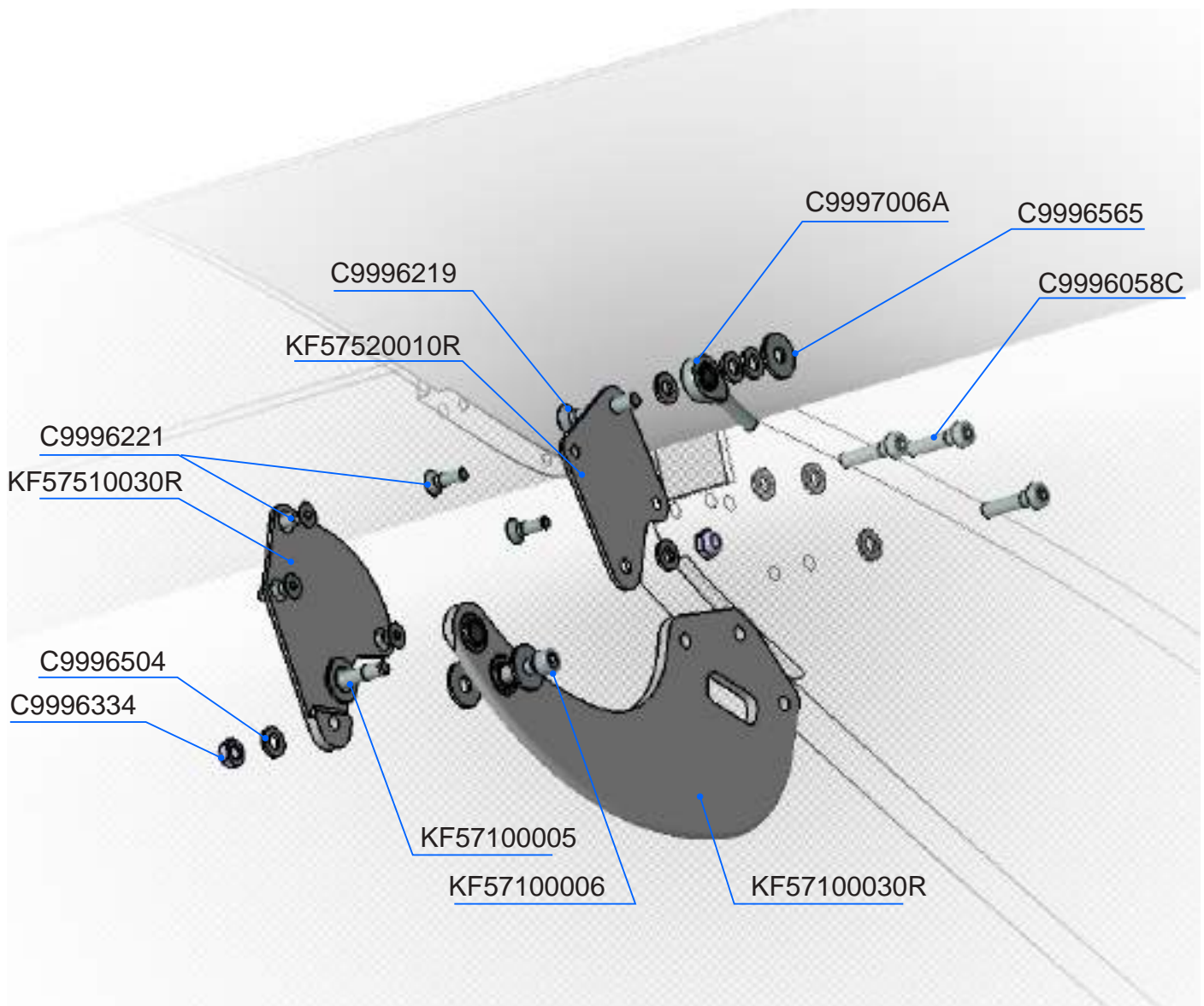


Part Number	Description	Q-ty per ASSY	Unit
KF57100010R	Pivot, Wing No1, right	1	pcs
KF57510010R	Pivot, Flap No.1, right	1	pcs
C9996334	Self-locking nut DIN 985-M6, regular	1	pcs
C9996504	Washer DIN 125 A2B-6.4mm	3	pcs
C9996221	Bolt DIN 7991 M5x16 A2	3	pcs
C9996058C	Bolt DIN 6912 M6x25, A2-70	2	pcs

KF57100020R - PIVOT, WING No2, RIGHT

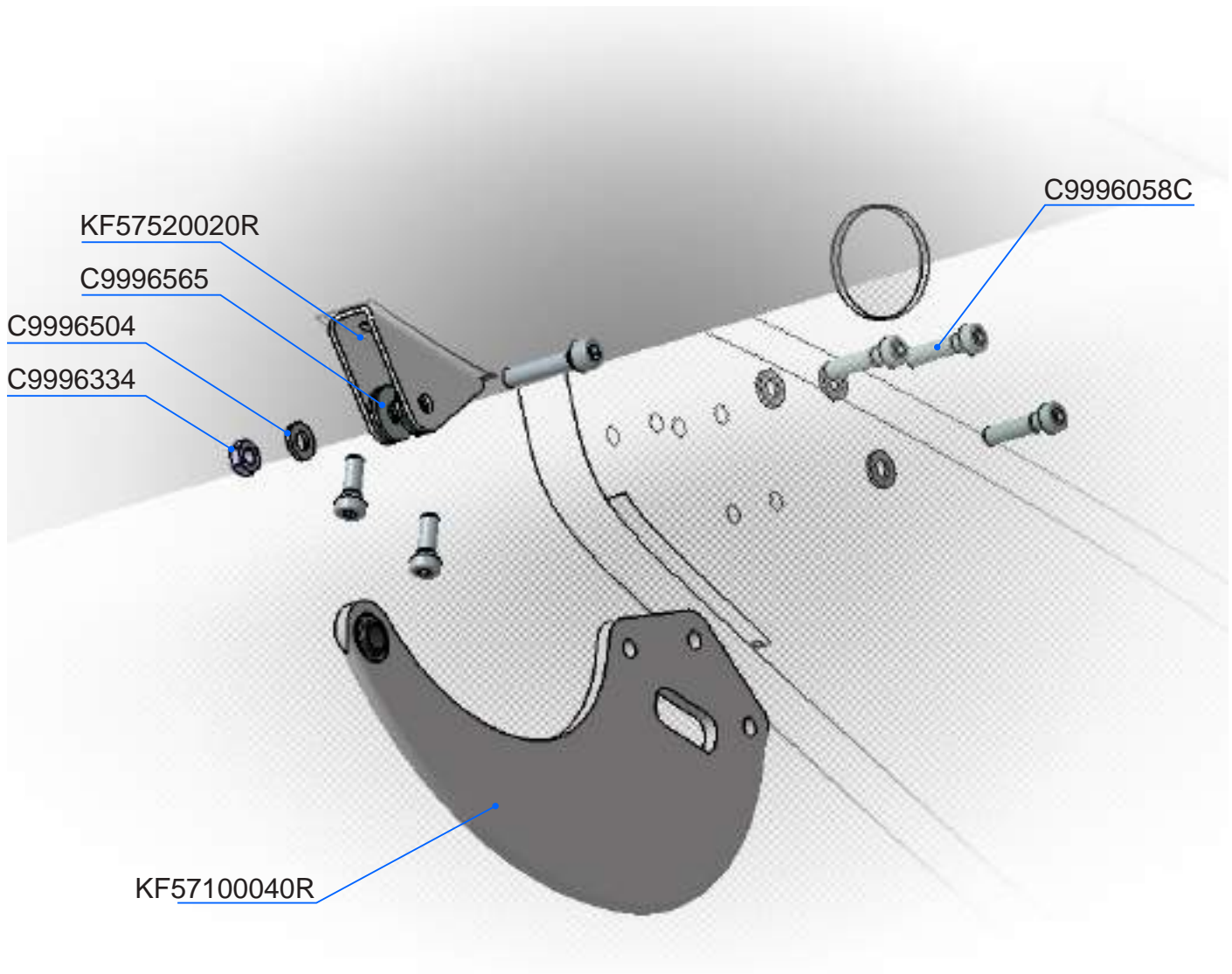


Part Number	Description	Q-ty per ASSY	Unit
KF57100020R	Pivot, Wing No2, right	1	pcs
KF57510020R	Pivot, Flap No.2, right	1	pcs
C9996334	Self-locking nut DIN 985-M6, regular	1	pcs
C9996504	Washer DIN 125 A2B-6.4mm	4	pcs
C9996565	Washer DIN 9021-6.4mm VZ	4	pcs
C9996058C	Bolt DIN 6912 M6x25, A2-70	3	pcs
C9996145B	Bolt DIN 7984-M6x16-A2	2	pcs

KF57100030R - PIVOT, WING No3, RIGHT


Part Number	Description	Q-ty per ASSY	Unit
KF57100030R	Pivot, Wing No3, right	1	pcs
KF57100005	Bolt	1	pcs
KF57100006	Bolt	1	pcs
KF57520010R	Pivot, Aileron No.1, Right	1	pcs
KF57510030R	Pivot, Flap No.3	1	pcs
C9996221	Bolt DIN 7991 M5x16 A2	5	pcs
C9996334	Self-locking nut DIN 985-M6, regular	2	pcs
C9996504	Washer DIN 125 A2B-6.4mm	8	pcs
C9996565	Washer DIN 9021-6.4mm VZ	3	pcs
C9996058C	Bolt DIN 6912 M6x25, A2-70	3	pcs
C9997006A	Rod end bearing, ext. thread GA6	1	pcs
C9996219	Bolt DIN 7991 M6x35 A2	1	pcs

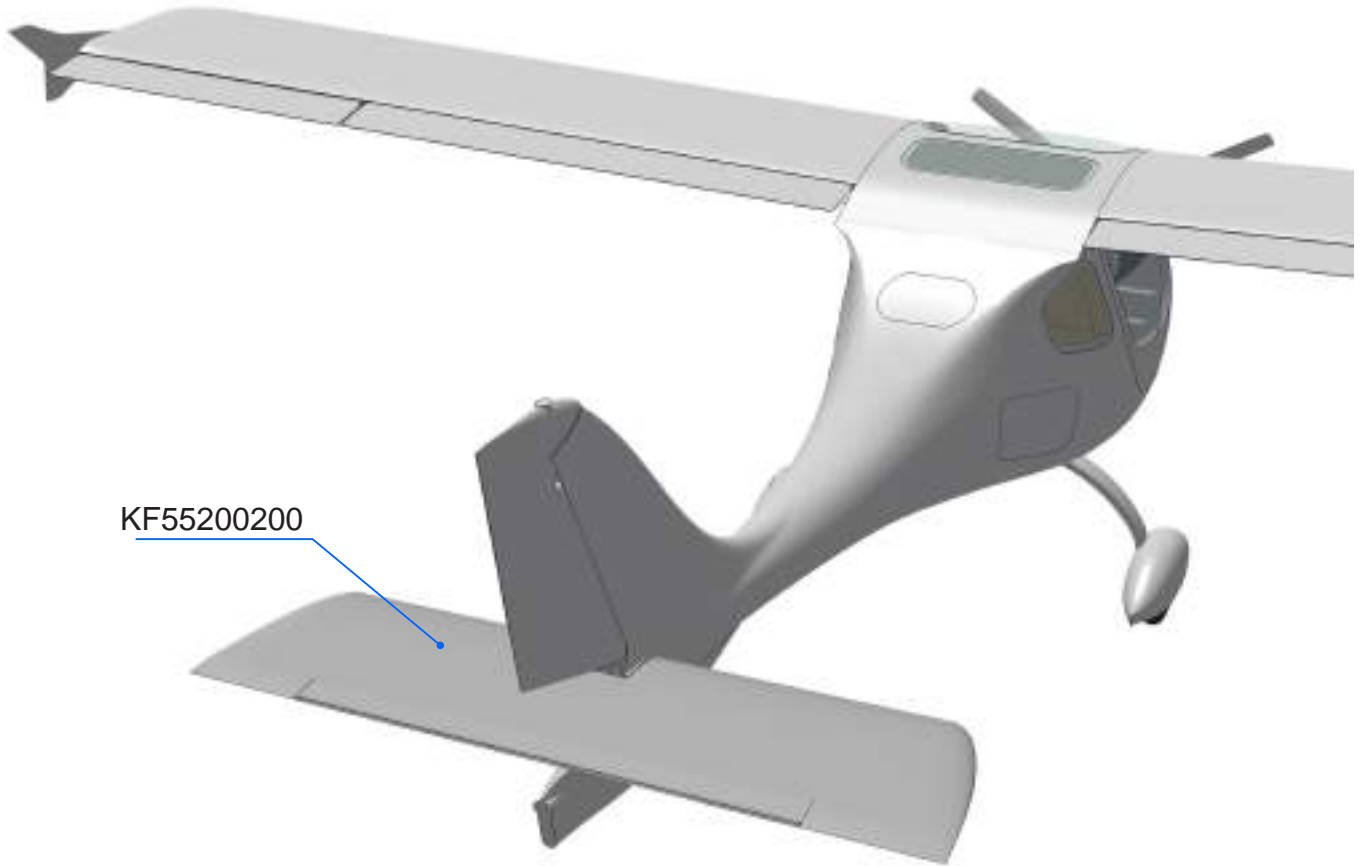
KF57100040R - PIVOT, WING No4, RIGHT



Part Number	Description	Q-ty per ASSY	Unit
KF57100040R	Pivot, Wing No4	1	pcs
KF57520020R	Pivot No.2, Aileron, Right	1	pcs
C9996334	Self-locking nut DIN 985-M6, regular	1	pcs
C9996504	Washer DIN 125 A2B-6.4mm	4	pcs
C9996565	Washer DIN 9021-6.4mm VZ	4	pcs
C9996058C	Bolt DIN 6912 M6x25, A2-70	3	pcs
C9996145B	Bolt DIN 7984-M6x16-A2	2	pcs

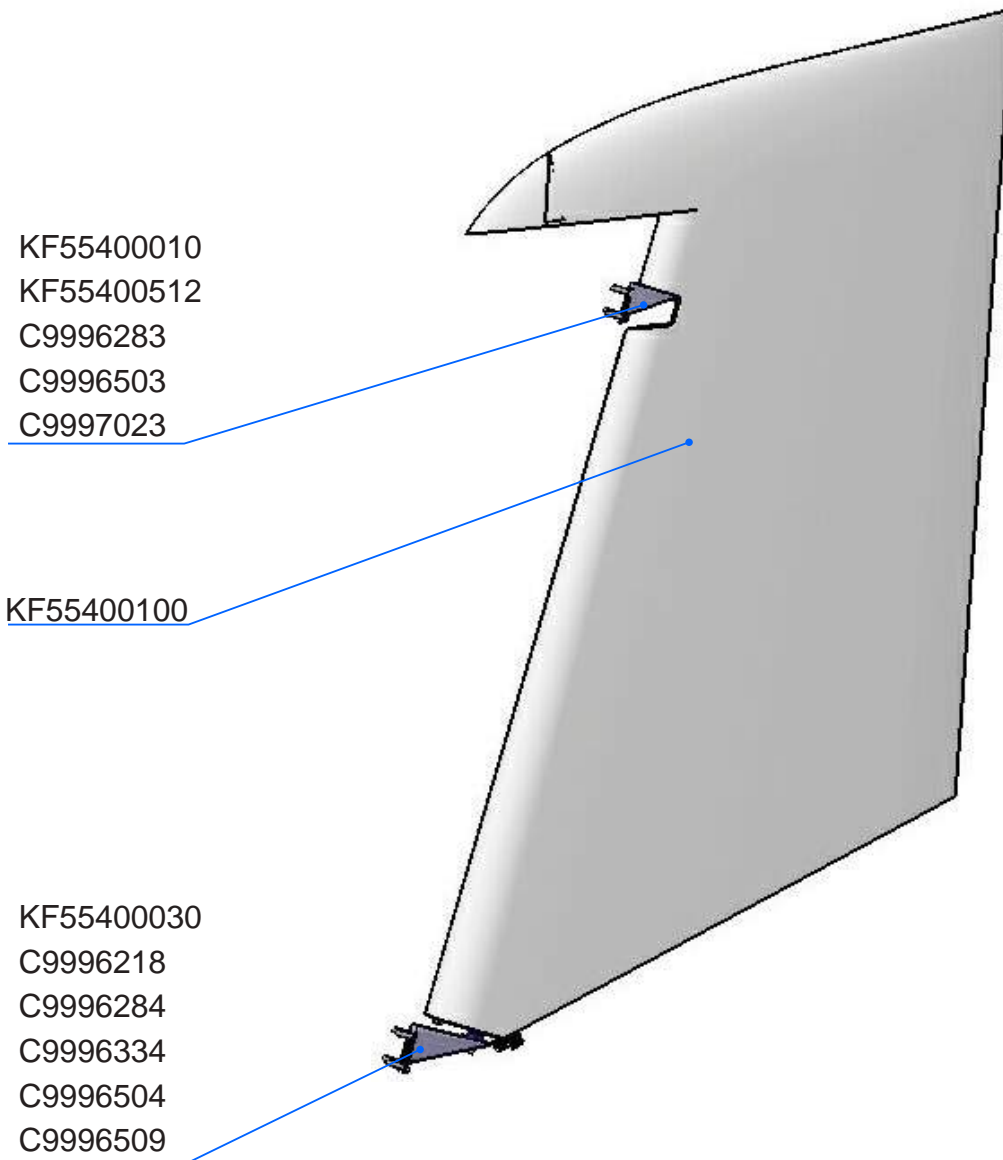
CHAPTER 3: STABILATOR & RUDDER

Stabilator



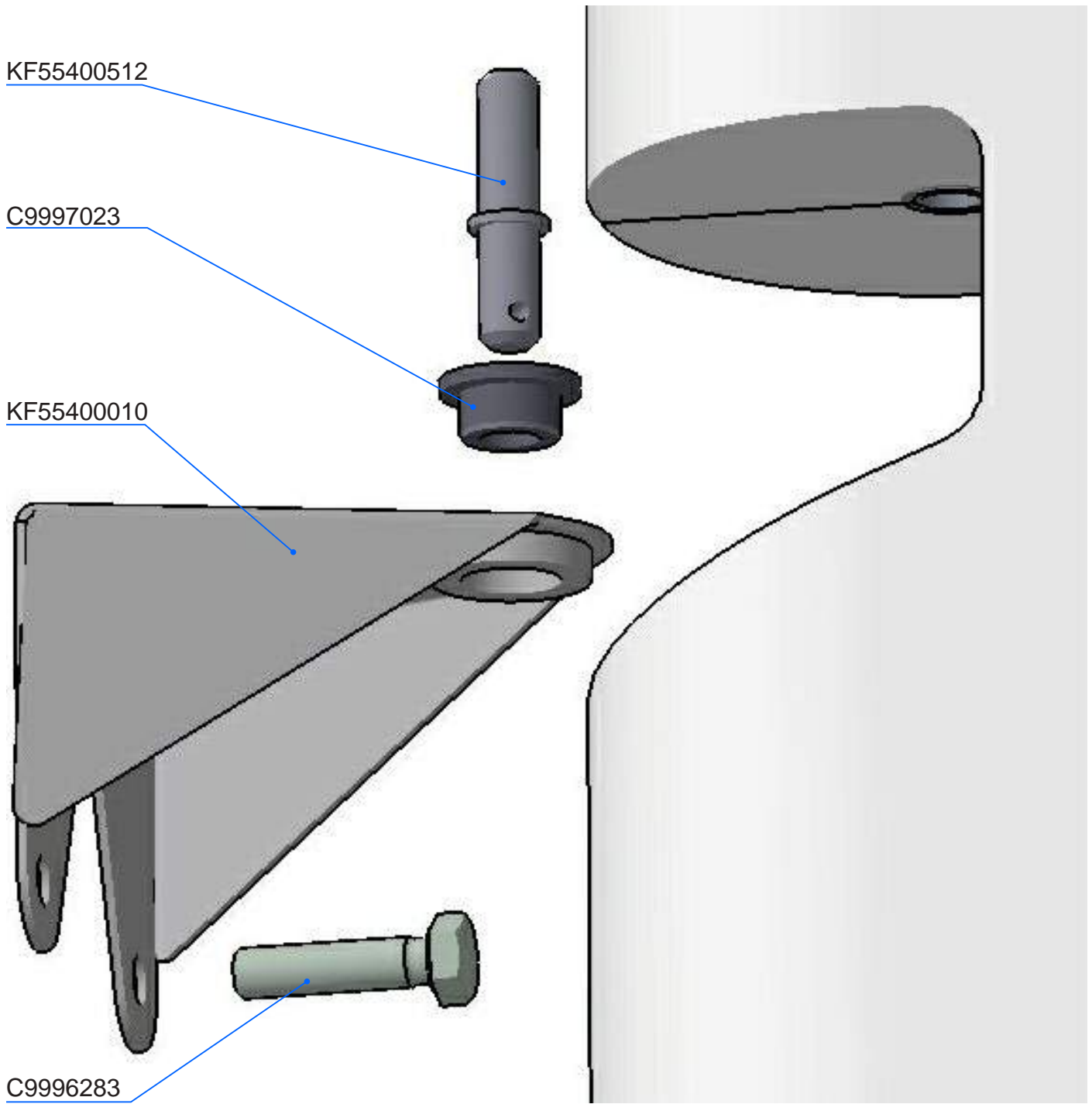
Part Number	Description	Q-ty per ASSY	Unit
KF55200200	Stabilator	1	pcs

Rudder



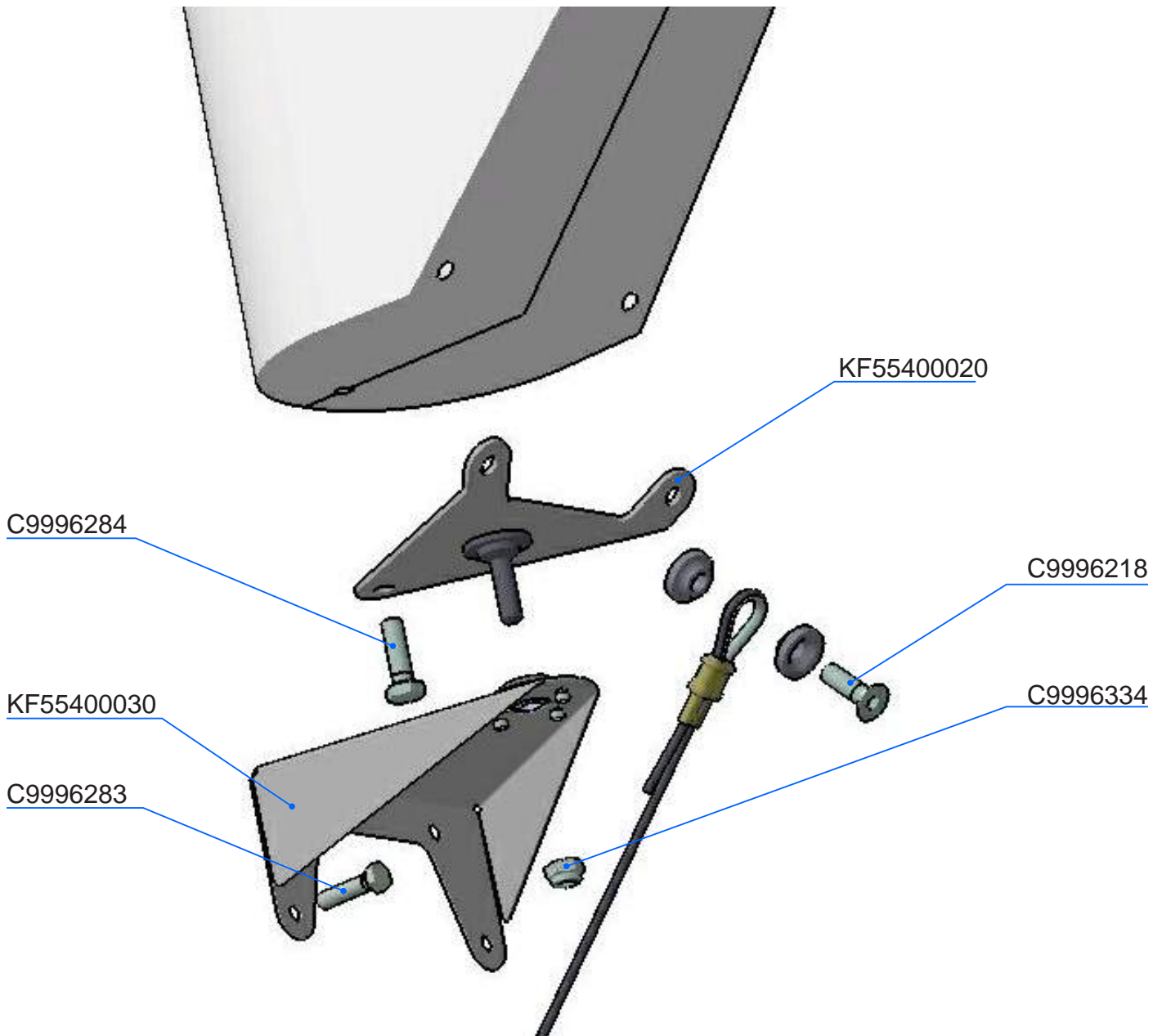
Part Number	Description	Q-ty per ASSY	Unit
KF55400010	Pivot, upper, Rudder	1	pcs
KF55400512	Pin	1	pcs
KF55400030	Rudder lower pivot	1	pcs
KF55400100	Rudder	1	pcs
C9996218	Bolt DIN 7991 M6x30-8.8	2	pcs
C9996283	Bolt DIN 933 M5x16-8.8	8	pcs
C9996284	Bolt DIN 933 M6x16-8.8	1	pcs
C9996334	Self-locking nut DIN 985-M6, regular	1	pcs
C9996504	Washer DIN 125 A2B-6.4mm	1	pcs
C9996509	Spring washer DIN7980 M6 mm VZ	1	pcs
C9996503	Washer DIN 125 A2-5.3mm	7	pcs

KF55400010 PIVOT UPPER



Part Number	Description	Q-ty per ASSY	Unit
KF55400010	Pivot, upper, Rudder	1	pcs
KF55400512	Pin	1	pcs
C9996283	Bolt DIN 933 M5x16-8.8	4	pcs
C9997023	Bearing, MFM-0610-06	1	pcs

KF55400030 - RUDDER LOWER SUPPORT & PIVOT

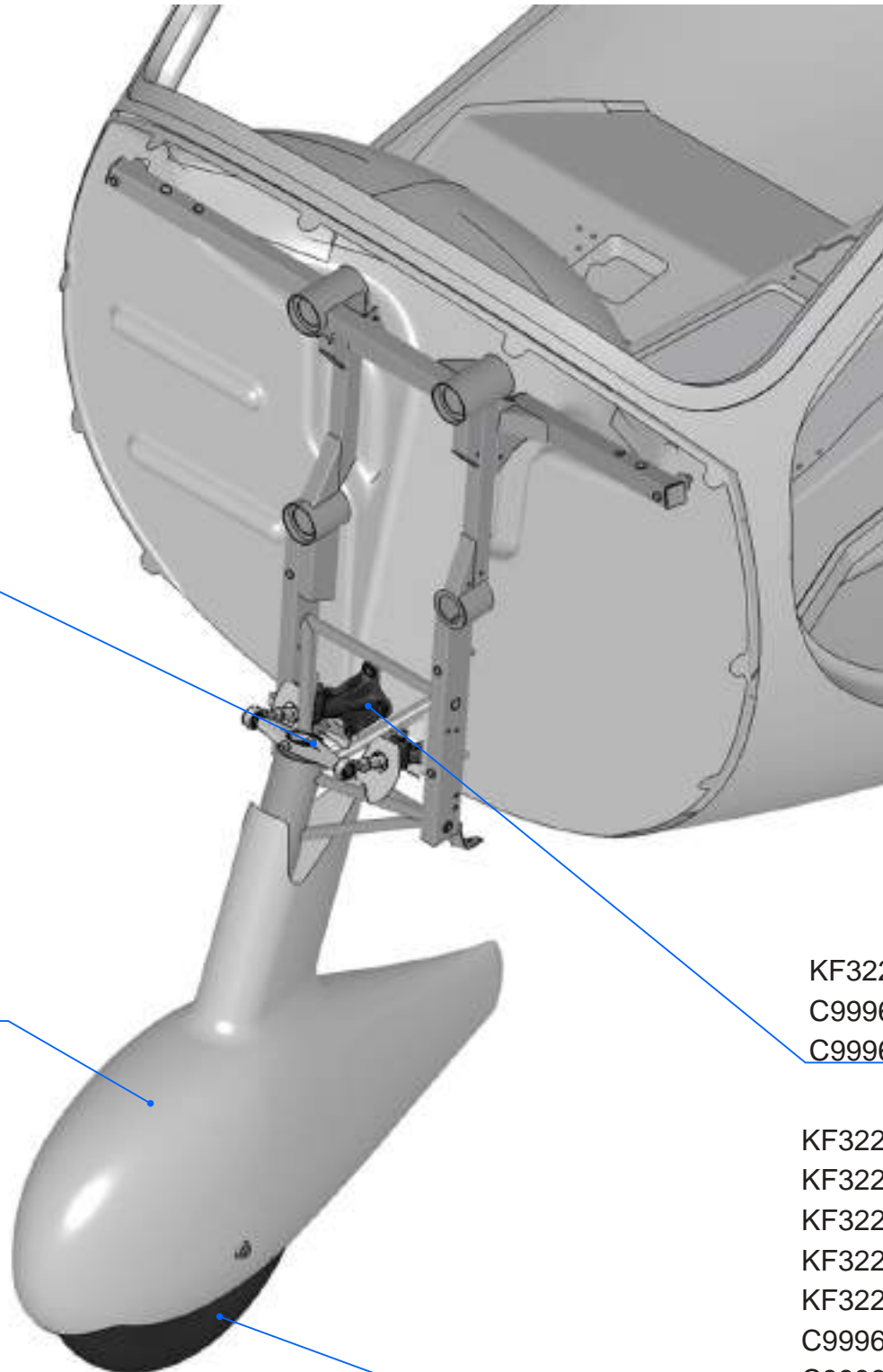


Part Number	Description	Q-ty per ASSY	Unit
KF55400020	Rudder lower support	1	pcs
KF55400030	Rudder lower pivot	1	pcs
C9996218	Bolt DIN 7991 M6x30-8.8	2	pcs
C9996284	Bolt DIN 933 M6x16-8.8	1	pcs
C9996283	Bolt DIN 933 M5x16-8.8	8	pcs
C9996334	Self-locking nut DIN 985-M6, regular	1	pcs
C9996504	Washer DIN 125 A2B-6.4mm	1	pcs
C9996509	Spring washer DIN7980 M6 mm VZ	1	pcs

CHAPTER 4: LANDING GEAR

Nose Landing Gear

- KF32200001
- KF32200004
- KF32200017
- KF32200400L
- KF32200400R
- C9996057
- C9996218
- C9996334
- C9996509
- C9997006B



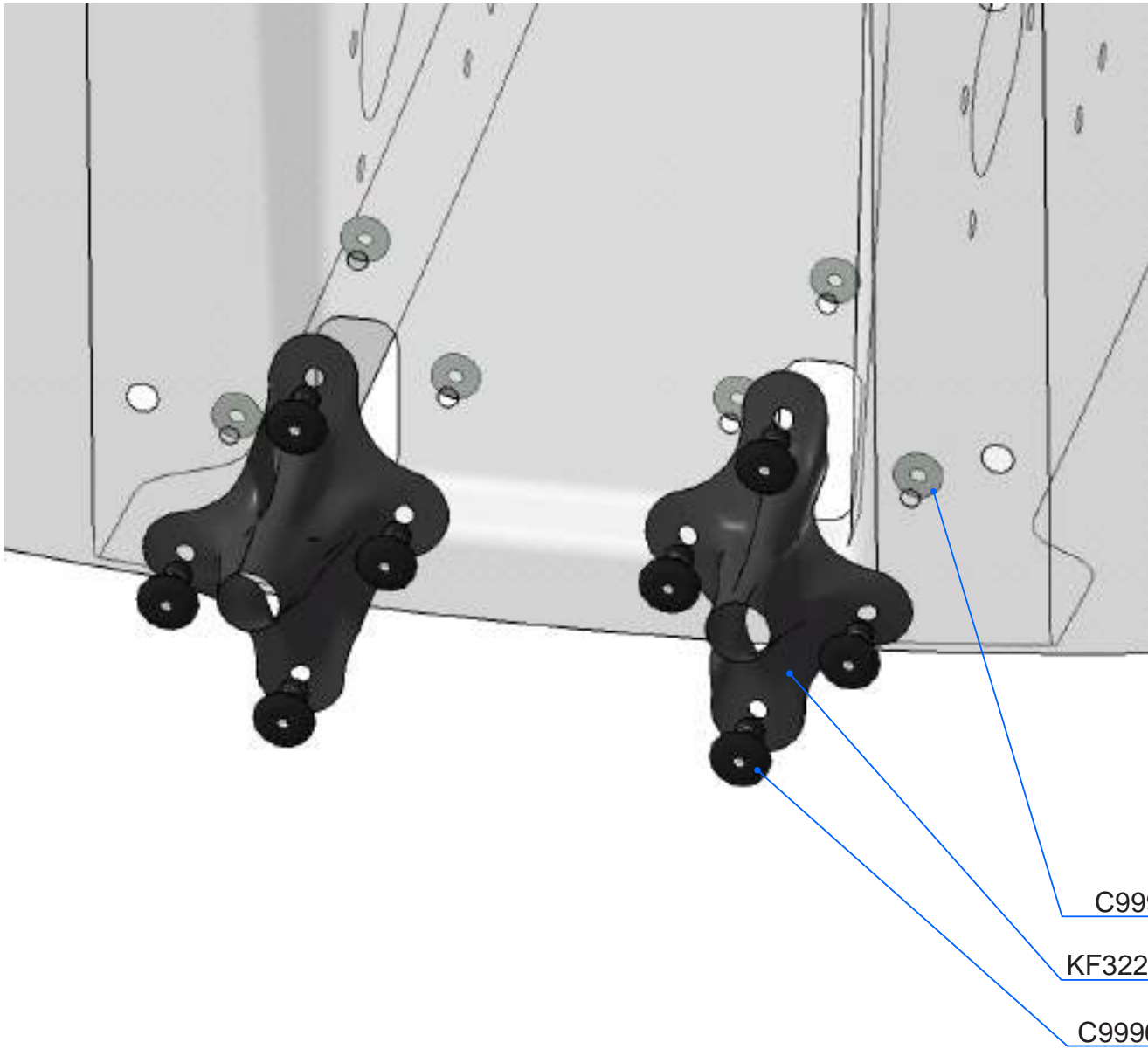
KF32200011

- KF32200008
- C9996562
- C9996763A

- KF32200100
- KF32200200
- KF32200002
- KF32200003
- KF32200216
- C9996338
- C9996507
- C9997026K
- C9997205A
- C9997205G

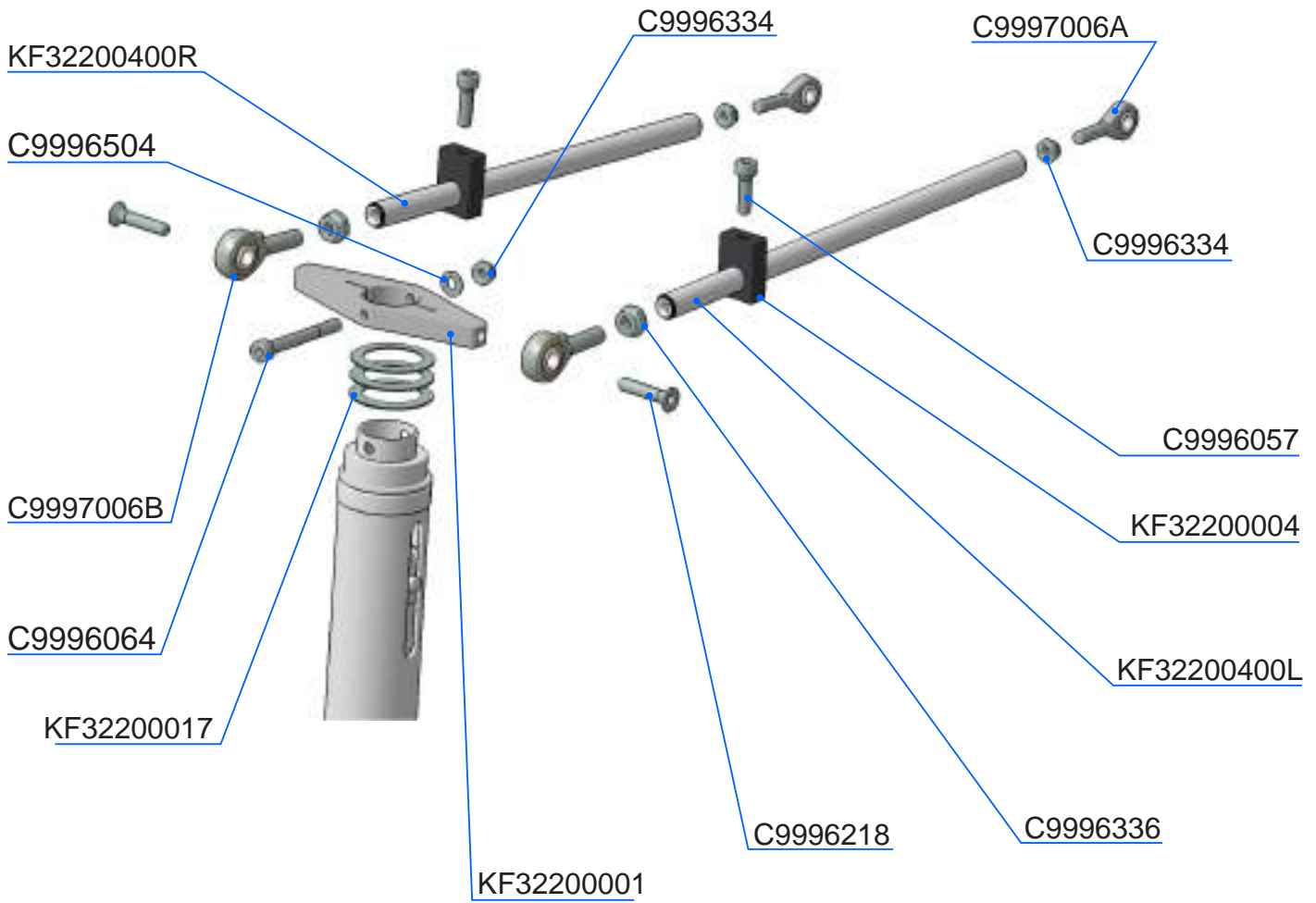
Part Number	Description	Q-ty per ASSY	Unit
KF32200001	Rocker	1	pcs
KF32200002	Axis, Nose Wheel	1	pcs
KF32200003	Bush	2	pcs
KF32200004	Stopper	2	pcs
KF32200008	Leather cap	2	pcs
KF32200011	Nose Wheel Fairing skin	1	pcs
KF32200017	Washer	3*	pcs
KF32200100	Strut, Nose Gear	1	pcs
KF32200200	Nose wheel	1	pcs
KF32200216	Bush	1	pcs
KF32200400L	Rod,Nose Gear, Left	1	pcs
KF32200400R	Rod,Nose Gear, Right	1	pcs
C9996057	Bolt DIN 912 M6x20-8.8	3	pcs
C9996059	Bolt DIN 912 M6x30-8.8	6	pcs
C9996064	Bolt DIN 912 M6x60-8.8	1	pcs
C9996161	Screw ISO 7380 M5x12	1	pcs
C9996218	Bolt DIN 7991 M6x30-8.8	2	pcs
C9996334	Self-locking nut DIN 985-M6, regular	10	pcs
C9996336	Self-locking nut DIN 985-M8, regular	2	pcs
C9996337	Self-locking nut DIN 985-M10, regular	2	pcs
C9996338	Self-locking nut DIN 985-M12, regular	1	pcs
C9996504	Washer DIN 125 A2B-6.4mm	1	pcs
C9996506	Washer DIN 125 A-10.5mm VZ	2	pcs
C9996507	Washer DIN 125 A-13 mm VZ	1	pcs
C9996509	Spring washer DIN7980 M6 mm VZ	2	pcs
C9996562	Washer DIN 9021-4.3 mm VZ	8	pcs
C9996563	Washer DIN 9021-5.3mm VZ	1	pcs
C9996565	Washer DIN 9021-6.4mm VZ	12	pcs
C9996763A	Alu / steel rivet 4.8x10.0 Art.-Nr.915 904 864	8	pcs
C9997006B	Rod end bearing, ext. thread GA8	4	pcs
C9997026K	Bearing SKF 6002-2Z	2	pcs
C9997205A	4.00-4" UNION tire	1	pcs
C9997205G	4.00-4" tube with straight valve	1	pcs
C9997730F	O-ring Simrit72, NBR 872, 28,0x5,0	2	pcs

KF32200008 LEATHER CAP



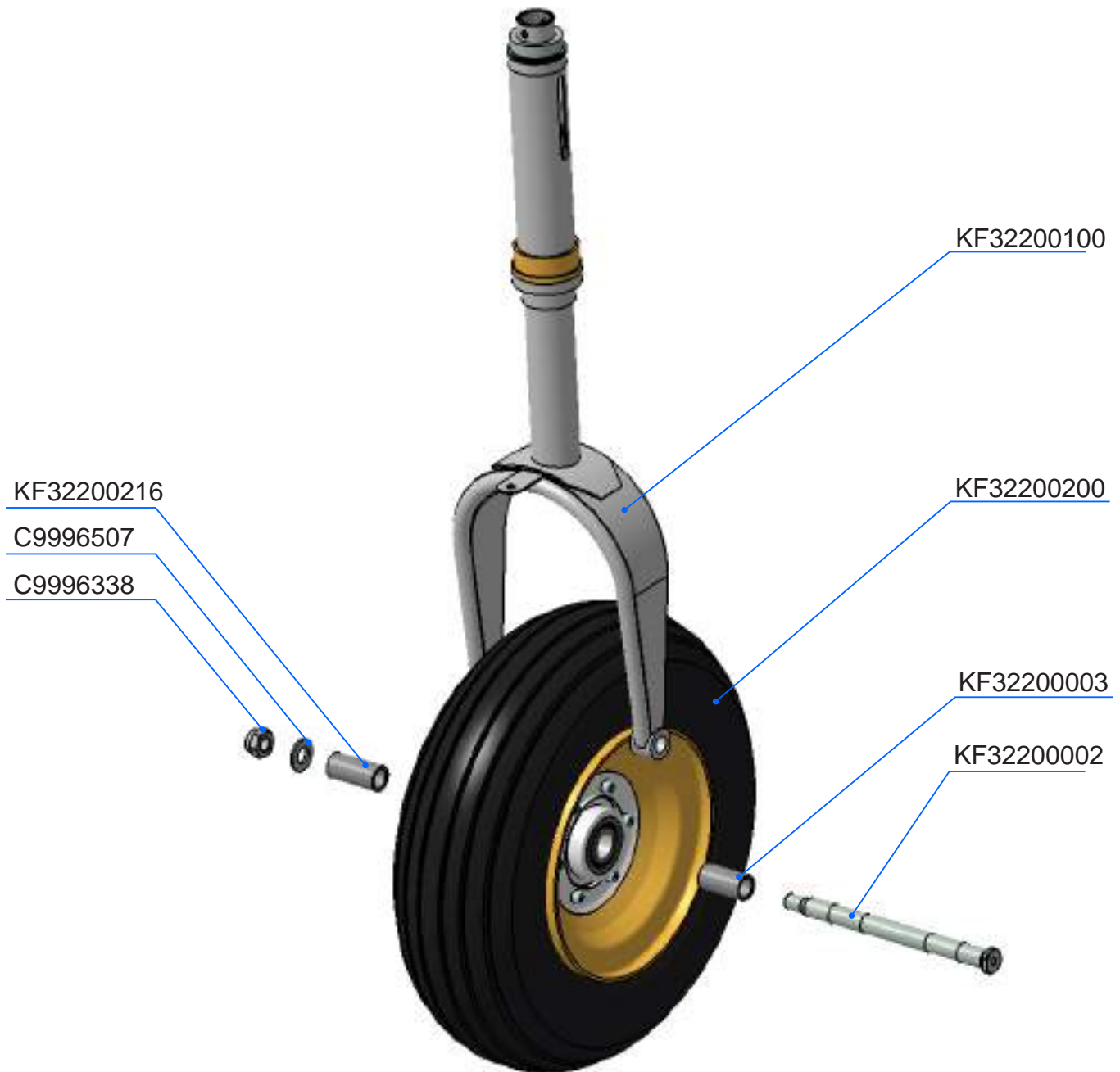
Part Number	Description	Q-ty per ASSY	Unit
KF32200008	Leather cap	2	pcs
C9996562	Washer DIN 9021-4.3 mm VZ	8	pcs
C9996763A	Alu / steel rivet 4.8x10.0 Art.-Nr.915 904 864	8	pcs

NOSE STRUT STEERING ROD & FORK STOPPER



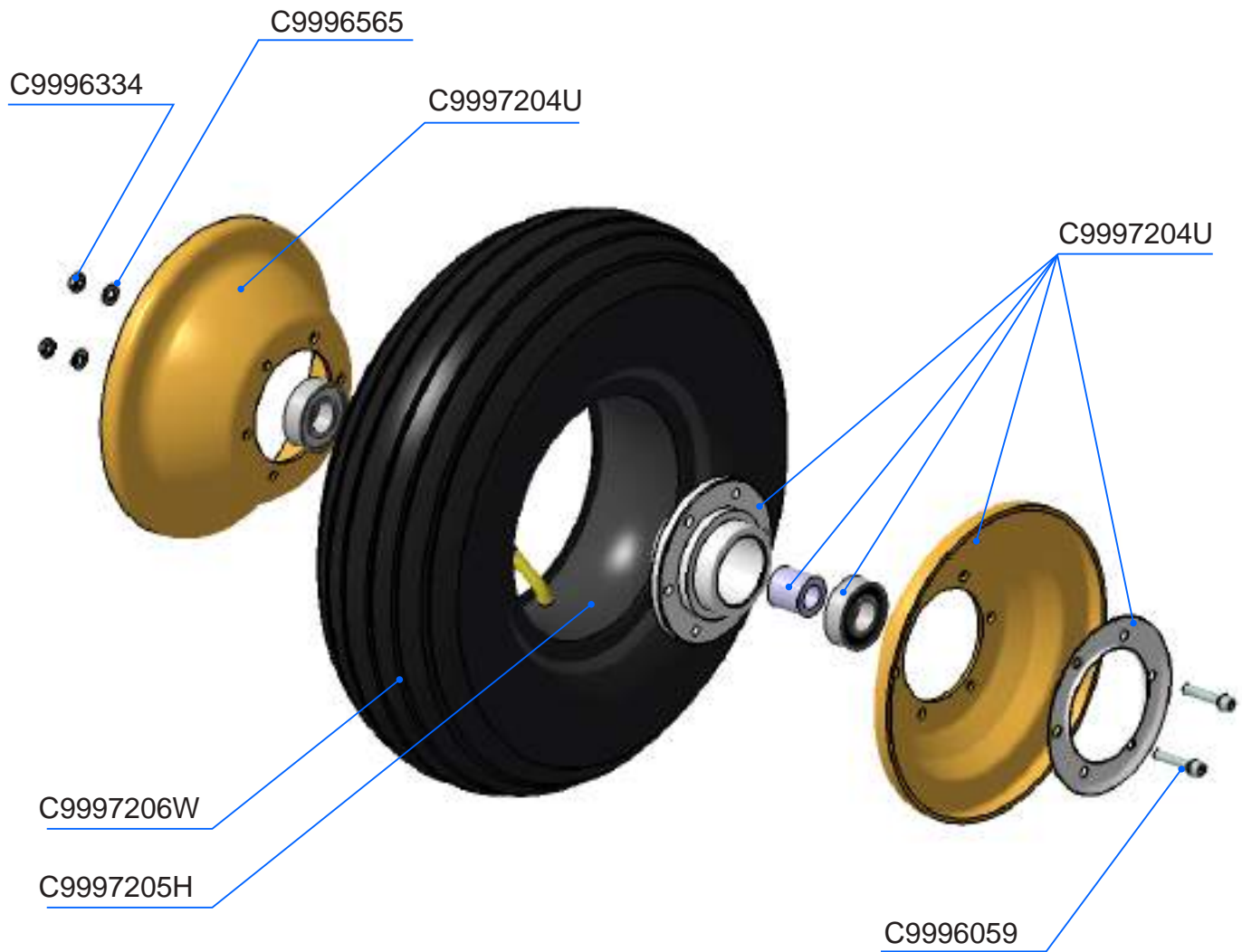
Part Number	Description	Q-ty per ASSY	Unit
KF32200001	Rocker	1	pcs
KF32200004	Stopper	2	pcs
KF32200017	Washer	3*	pcs
KF32200400L	Rod,Nose Gear, Left	1	pcs
KF32200400R	Rod,Nose Gear, Right	1	pcs
C9996057	Bolt DIN 912 M6x20-8.8	2	pcs
C9996218	Bolt DIN 7991 M6x30-8.8	2	pcs
C9996064	Bolt DIN 912 M6x60-8.8	1	pcs
C9996334	Self-locking nut DIN 985-M6, regular	5	pcs
C9996336	Self-locking nut DIN 985-M8, regular	2	pcs
C9996504	Washer DIN 125 A2B-6.4mm	1	pcs
C9997006A	Rod end bearing, ext. thread GA6	2	pcs
C9997006B	Rod end bearing, ext. thread GA8	2	pcs

NOSE WHEEL MOUNTING



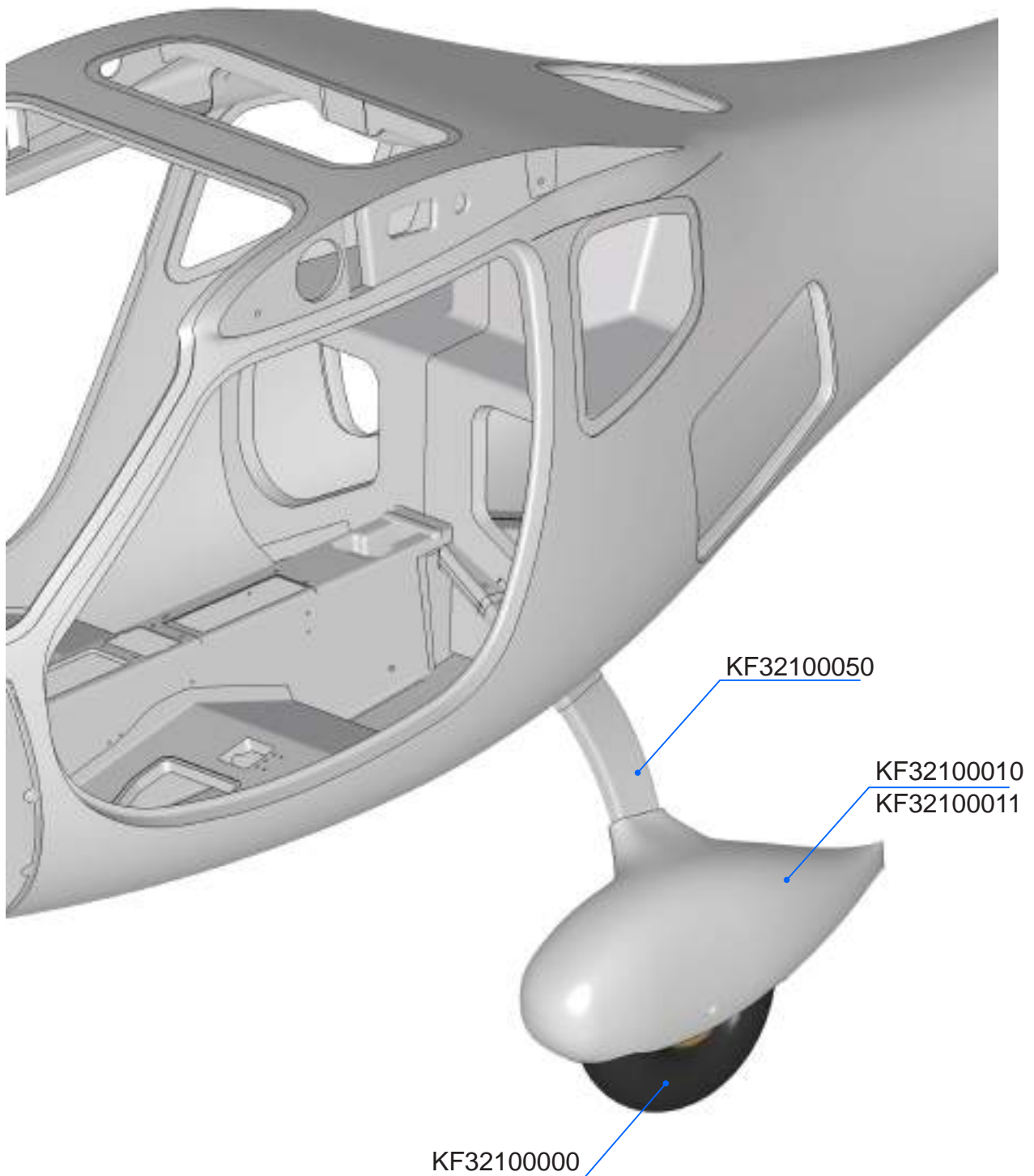
Part Number	Description	Q-ty per ASSY	Unit
KF32200100	Strut, Nose Gear	1	set
KF32200200	Nose wheel	1	set
KF32200002	Axis, Nose Wheel	1	pcs
KF32200003	Bush	1	pcs
KF32200216	Bush	1	pcs
C9996338	Self-locking nut DIN 985-M12, regular	1	pcs
C9996507	Washer DIN 125 A-13 mm VZ	1	pcs

NOSE WHEEL MOUNTING



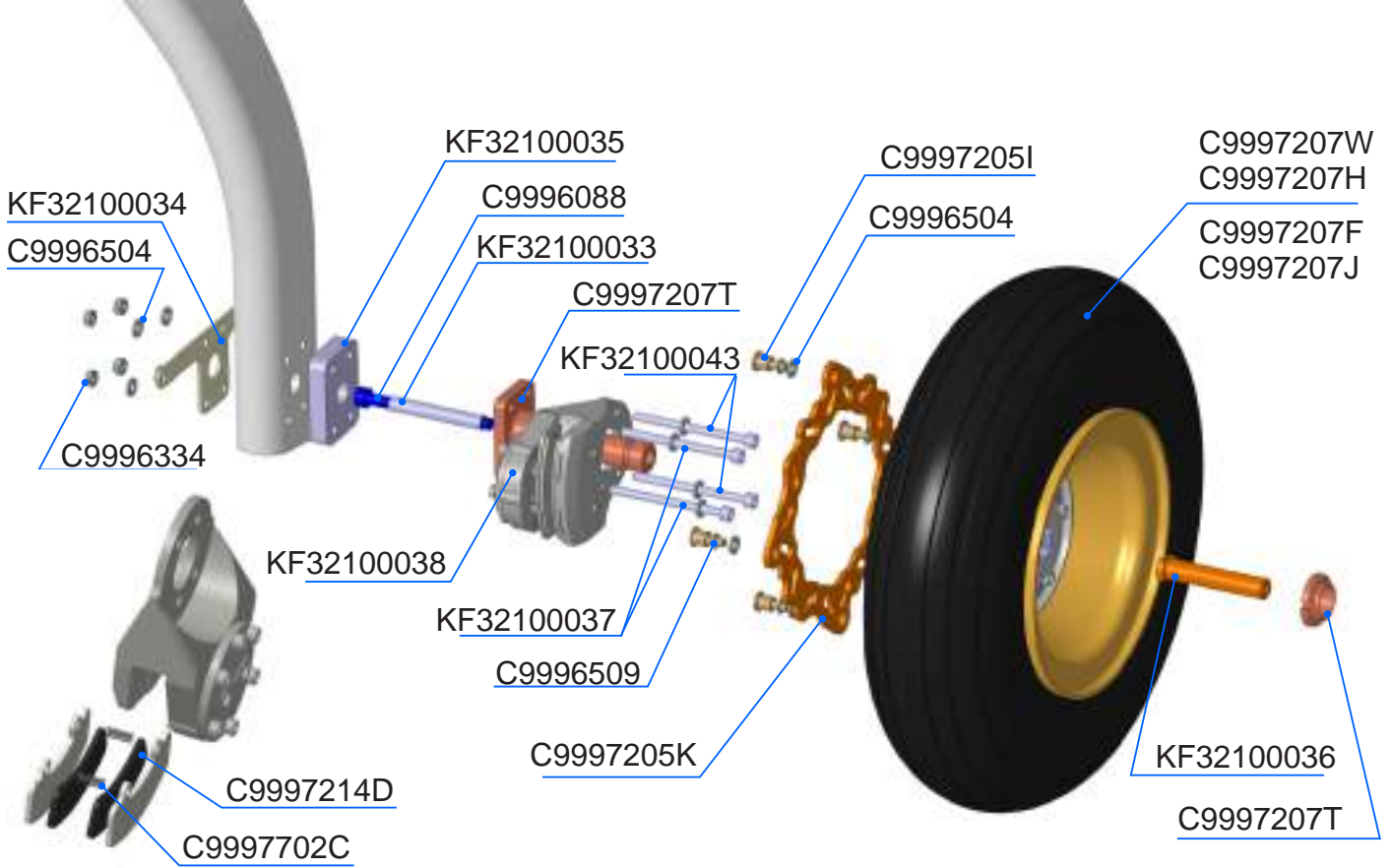
Part Number	Description	Q-ty per ASSY	Unit
C9996059	Bolt DIN 912 M6x30-8.8	6	pcs
C9996334	Self-locking nut DIN 985-M6, regular	6	pcs
C9996565	Washer DIN 9021-6.4mm VZ	6	pcs
C9997206W	Tire 4.00-6" 6PR B11 TT, SAVAtch, Slovenien	1	pcs
C9997205H	Tube 3,5 - 6" Stright Valve	1	pcs
C9997204U	Front wheel 6"x 80 mm - AXLE D.15	1	set

Main Landing Gear



Part Number	Description	Q-ty per ASSY	Unit
KF32100050	Main Landing Gear, ready-mounted L	1	pcs
KF32100050	Main Landing Gear, ready-mounted R	1	pcs
KF32100010	Fairing, Main Wheel	1	pcs
KF32100011	Fairing, Main Wheel, Tundra	1	pcs
KF32100000	Wheel, Main	1	pcs
KF32100001	Wheel, Main, Tundra	1	pcs
KF32100030	Wheel, Main	1	pcs
KF32100031	Wheel, Main, Tundra	1	pcs
KF32100033	Bush	1	pcs
KF32100034	Plate	1	pcs
KF32100035	Spacer	1	pcs
KF32100036	Axis	1	pcs
KF32100037	Bolt	2	pcs
KF32100038	Caliper	1	pcs
KF32100043	Bolt	2	pcs
C9996088	Bolt DIN 912 M8x90 A4-70	1	pcs
C9996334	Self-locking nut DIN 985-M6, regular	9	pcs
C9996504	Washer DIN 125 A2B-6.4mm	14	pcs
C9996509	Spring washer DIN7980 M6 mm VZ	4	pcs
C9997207T	Main wheel axis	1	set
	Nut M20x1.5	1	
C9997205I	Pin for brake disk	4	pcs
C9997205K	Set, Main Wheel	1	pcs
C9997702C	Compression spring 1x8x28.5x8.5	2	pcs
C9997214D	Brake linings for magnesium caliper	2	pcs

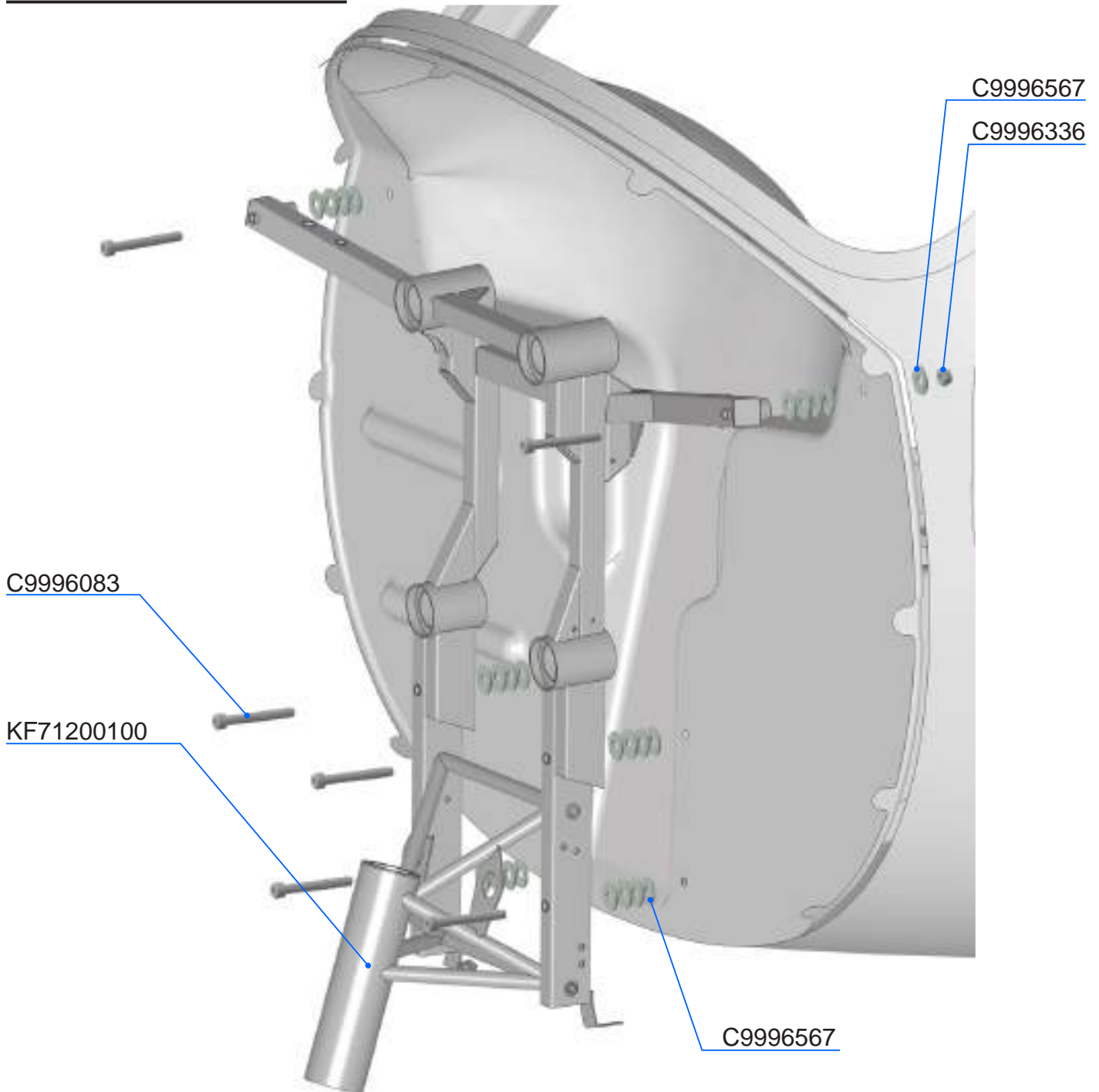
KF32100000, KF321000001 - WHEEL, MAIN



Part Number	Description	Q-ty per ASSY	Unit
KF32100033	Bush	1	pcs
KF32100034	Plate	1	pcs
KF32100035	Spacer	1	pcs
KF32100036	Axis	1	pcs
KF32100037	Bolt	2	pcs
KF32100038	Caliper	1	pcs
KF32100043	Bolt	2	pcs
C9996088	Bolt DIN 912 M8x90 A4-70	1	pcs
C9996334	Self-locking nut DIN 985-M6, regular	9	pcs
C9996504	Washer DIN 125 A2B-6.4mm	14	pcs
C9996509	Spring washer DIN7980 M6 mm VZ	4	pcs
C9997207F	Tire Air Trac 6.00-6" 4-ply	1	pcs
C9997207H	SAVA tube 4.00-6 JS87 90/90	1	pcs
C9997207J	TUBE 15x6.00-6" VALVE TR87	1	pcs
C9997207W	Tire SAVA B 11 4.00-6" 66L B11	1	pcs
C9997207T	Main wheel axis	1	set
	Nut M20x1.5	1	
C9997205I	Pin for brake disk	4	pcs
C9997205K	Set, Main Wheel	1	pcs
C9997702C	Compression spring 1x8x28.5x8.5	2	pcs
C9997214D	Brake linings for magnesium caliper	2	pcs

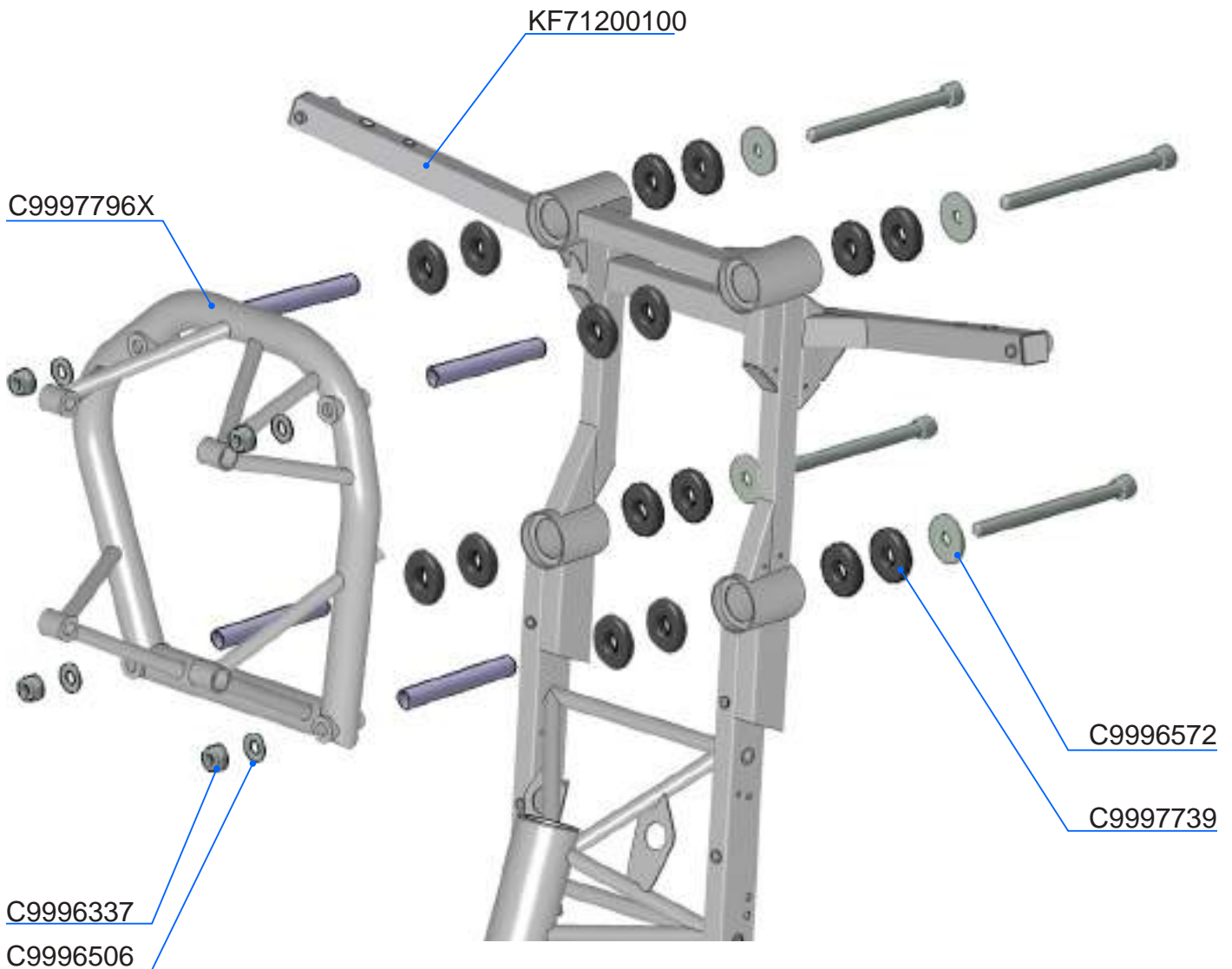
CHAPTER 5: POWER PLANT

KF71200100 ENGINE MOUNT



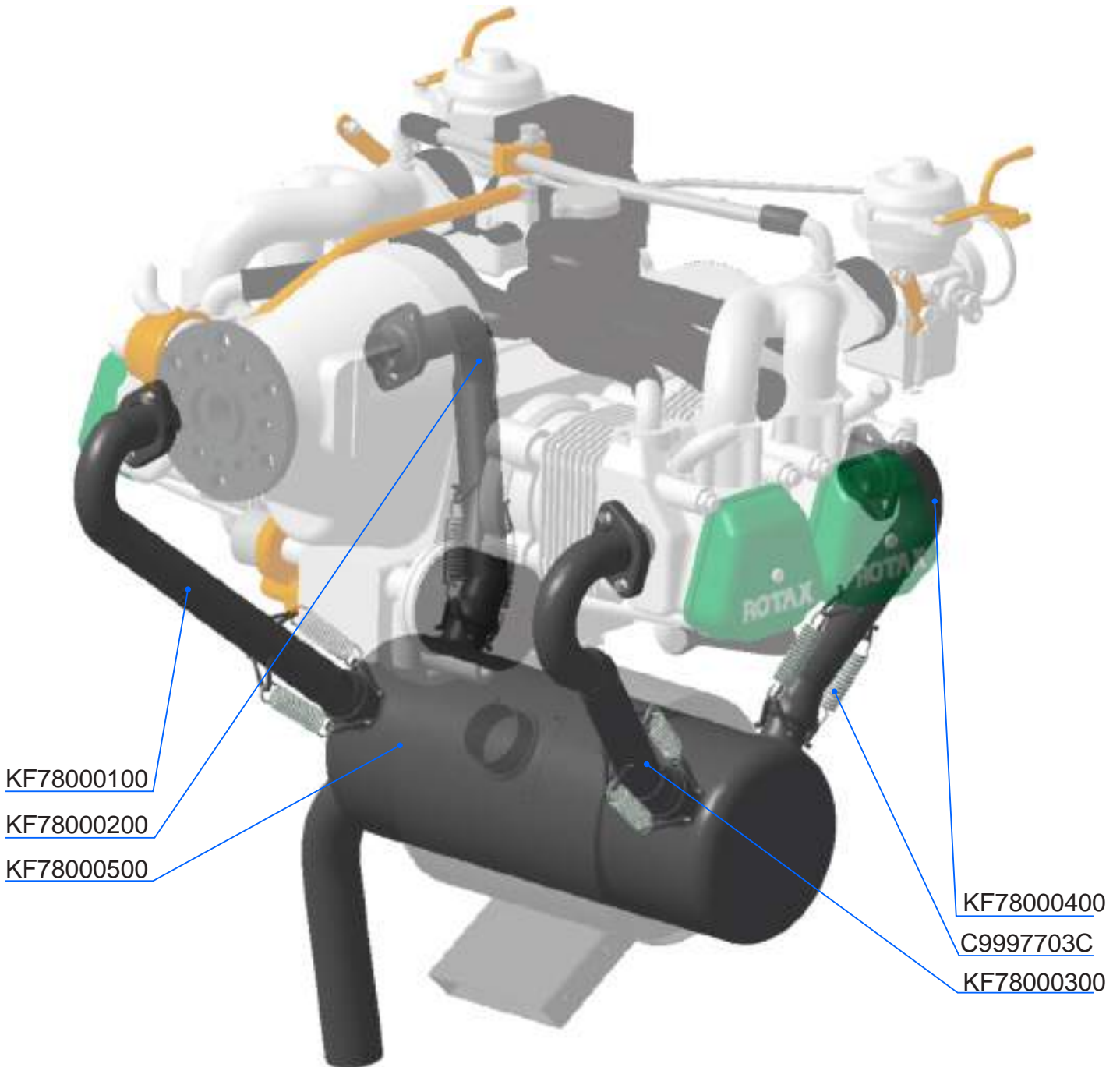
Part Number	Description	Q-ty per ASSY	Unit
KF71200100	Engine mount	1	pcs
C9996083	Bolt DIN 912 M8x60-8.8	6	pcs
C9996336	Self-locking nut DIN 985-M8, regular	6	pcs
C9996505	Washer DIN 125 A-8.4mm VZ	6	pcs
C9996567	Washer DIN 9021-8.4mm VZ	30	pcs

BIG & SMALL ENGINE MOUNT



Part Number	Description	Q-ty per ASSY	Unit
KF71200100	Engine mount	1	pcs
C9996098J	Bolt DIN 912 M10x150-8.8	1	pcs
C9996337	Self-locking nut DIN 985-M10, regular	4	pcs
C9996506	Washer DIN 125 A-10.5mm VZ	4	pcs
C9996572	Washer DIN 9021-12mm VZ	4	pcs
C9997739	Silent block FIAT 38x14x10 mm	16	pcs
C9997796X	Engine frame, Small	1	pcs

Muffler



[KF78000100](#)

[KF78000200](#)

[KF78000500](#)

[KF78000400](#)

[C9997703C](#)

[KF78000300](#)

Part Number	Description	Q-ty per ASSY	Unit
KF78000100	Forward exhaust pipe, right	1	pcs
KF78000200	Rear exhaust pipe, right	1	pcs
KF78000300	Forward exhaust pipe, left	1	pcs
KF78000400	Rear exhaust pipe, left	1	pcs
KF78000500	Muffler	1	pcs
C9997703C	Spring 2.5x15x48.5	8	pcs

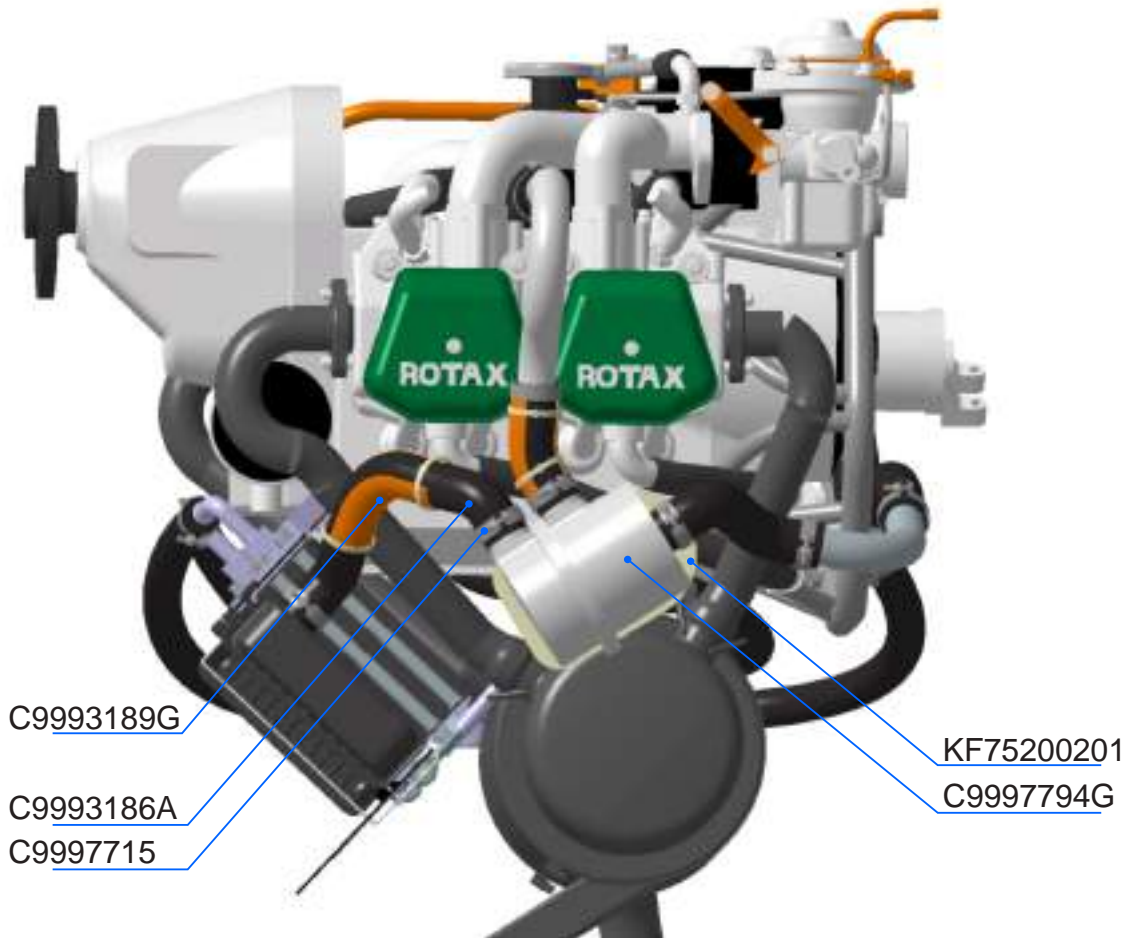
MUFFLER MOUNTING, RIGHT SIDE



MUFFLER MOUNTING, LEFT SIDE

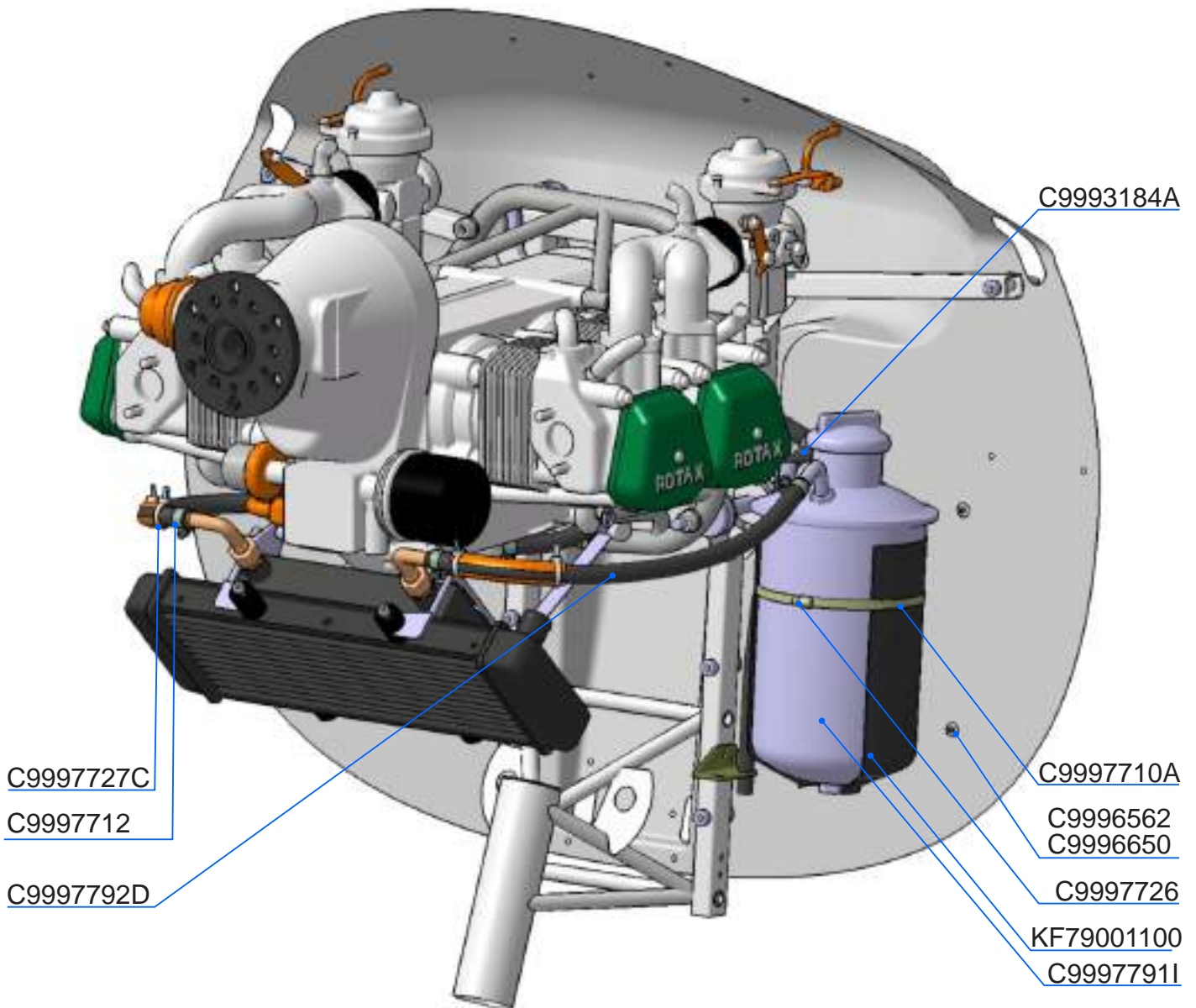


C9997794G THERMOSTAT 90C



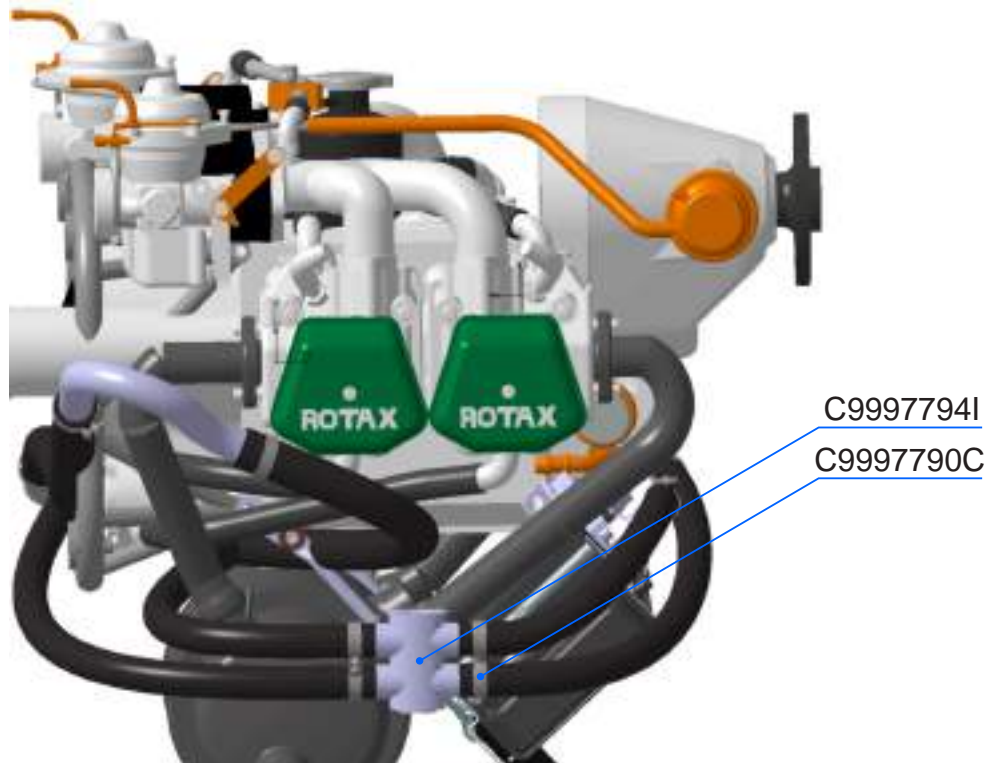
Part Number	Description	Q-ty per ASSY	Unit
KF75200201	Screen, Thermostat	1	pcs
C9993186A	Hose DIN 73411 25x3.5mm	0.55	m
C9997715	Clamp 25-40mm	6	pcs
C9993189G	Fire protection hose, red	0.48	m
C9997794G	Thermostat 90C	1	pcs

Oil cooling



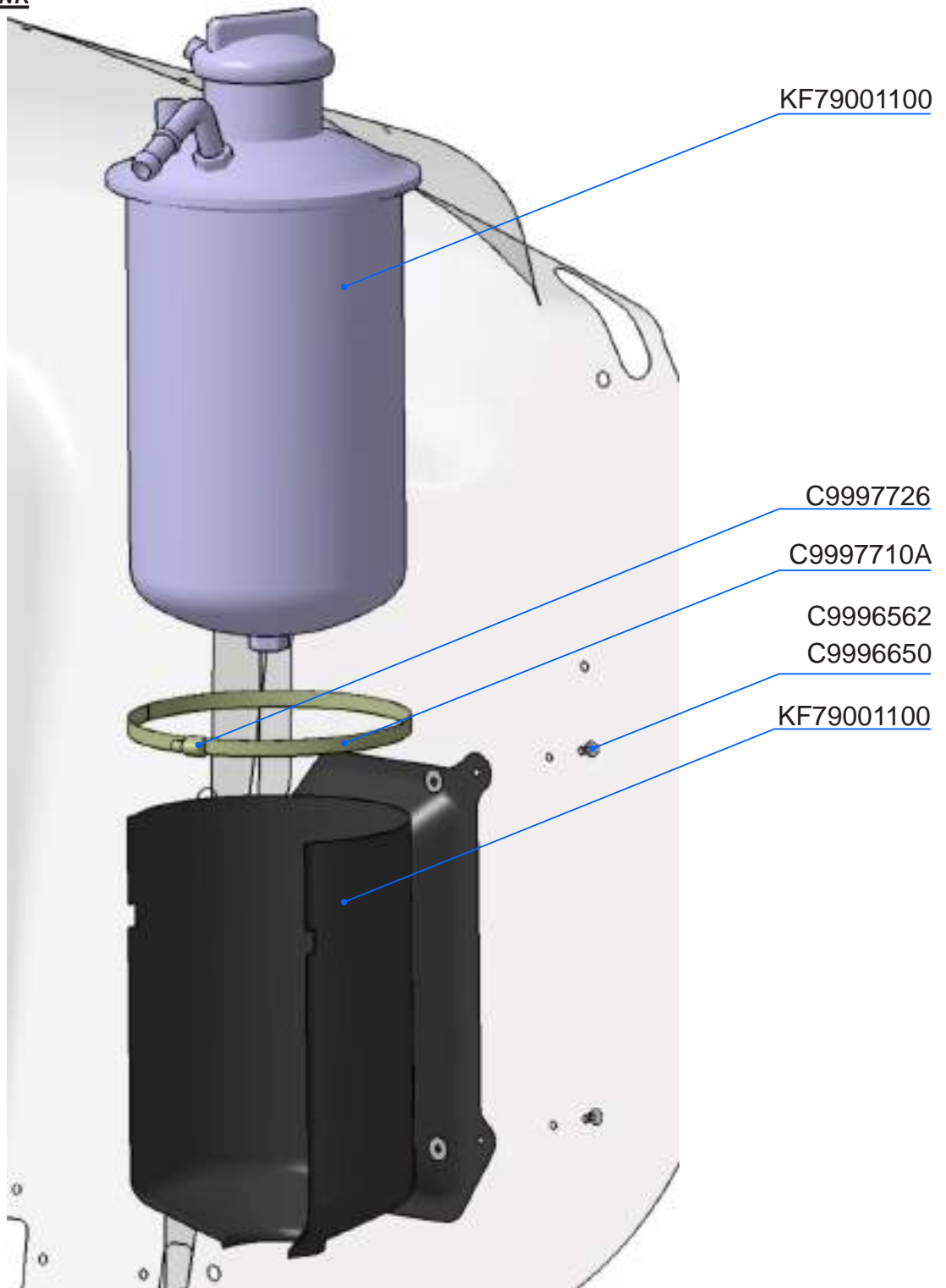
Part Number	Description	Q-ty per ASSY	Unit
KF79001100	Oil tank bracket	1	pcs
C9993184A	Fuel tube DIN 73379, 7.5x3.0	0.5	m
C9993189G	Fire protection hose, red	1	m
C9996562	Washer DIN 9021-4.3 mm VZ	4	pcs
C9996650	Stainl. steel rivet A2 4x7.5	4	pcs
C9997710A	Clamp band 8mm	0.5	m
C9997712	Clamp 12-20	7	pcs
C9997726	Turnbuckle	1	pcs
C9997727C	TY-wraps CV-100 white	4	pcs
C99977911	Oil tank	1	pcs
C9997792D	Oil hose 1500mm	1	pcs

C9997794I OILTHERMOSTAT



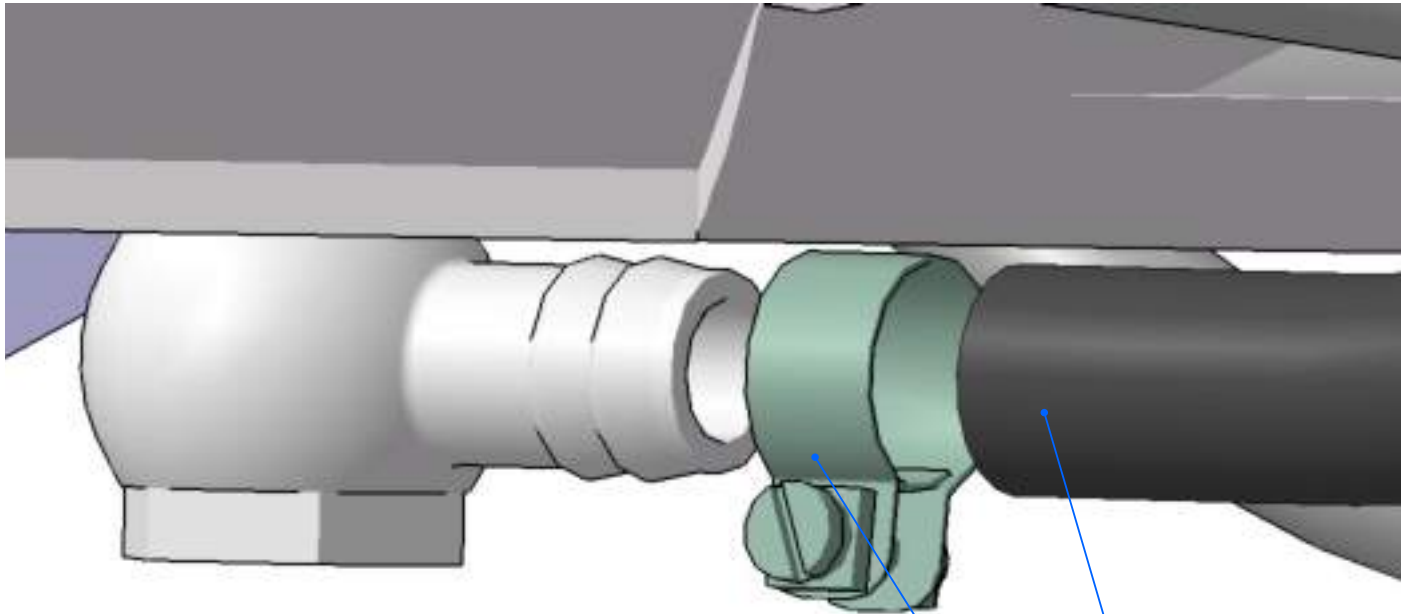
Part Number	Description	Q-ty per ASSY	Unit
C9993186A	Hose DIN 73411 25x3.5mm	0.55	m
C9997790C	Clamp SP 17/9	4	pcs
C9997794I	Oilthermostat	1	pcs

C9997791I OIL TANK



Part Number	Description	Q-ty per ASSY	Unit
KF79001100	Oil tank bracket	1	pcs
C9996562	Washer DIN 9021-4.3 mm VZ	4	pcs
C9996650	Stainl. steel rivet A2 4x7.5	4	pcs
C9997710A	Clamp band 8mm	0.5	m
C9997726	Turnbuckle	1	pcs
C9997791I	Oil tank	1	pcs

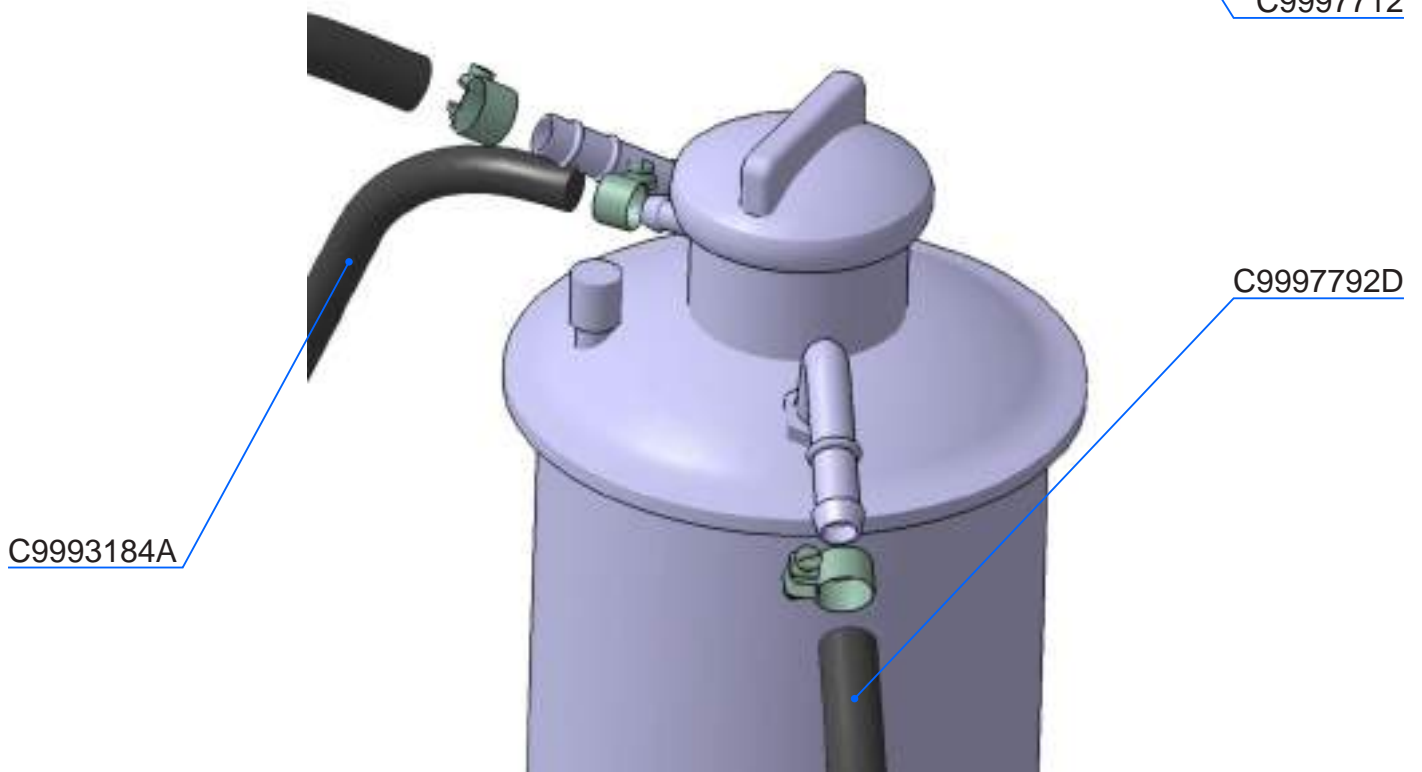
OIL HOSE CONNECTION (1)



Part Number	Description	Q-ty per ASSY	Unit
C9993184A	Fuel tube DIN 73379, 7.5x3.0	0.5	m
C9997712	Clamp 12-20	7	pcs
C9997792D	Oil hose 1500mm	1	pcs

C9993184A

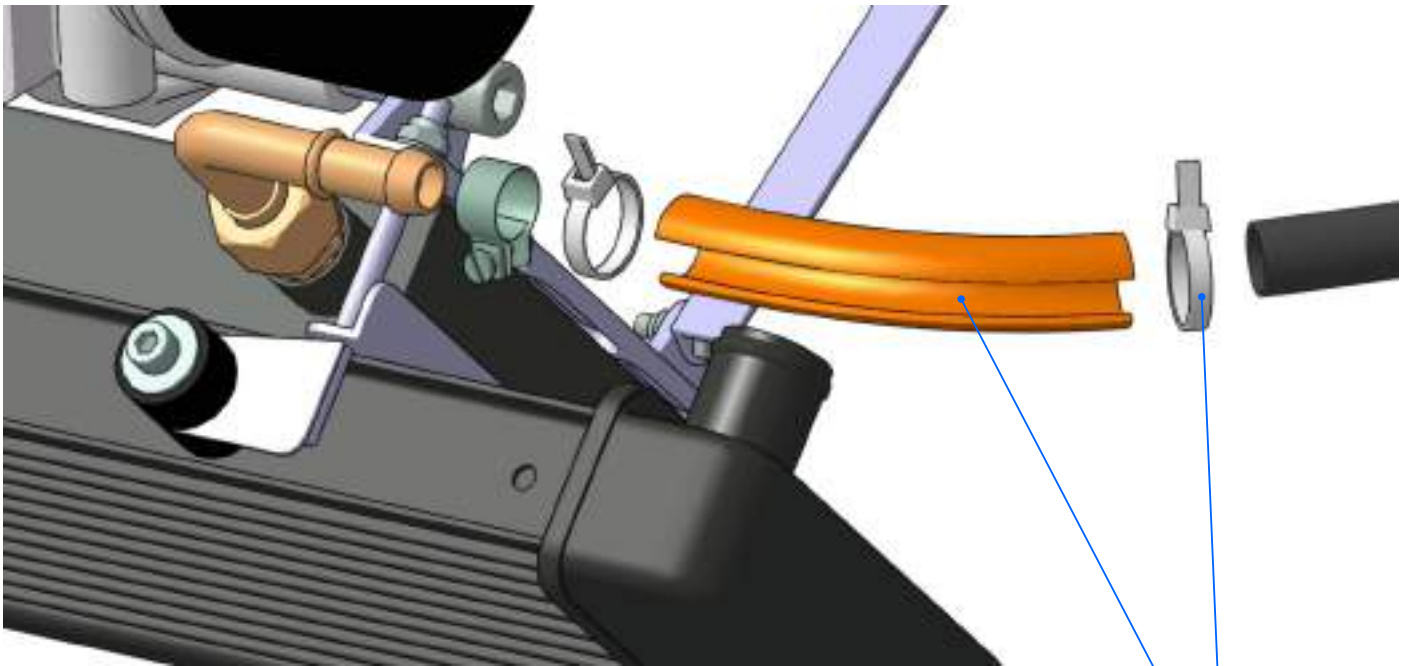
C9997712



C9993184A

C9997792D

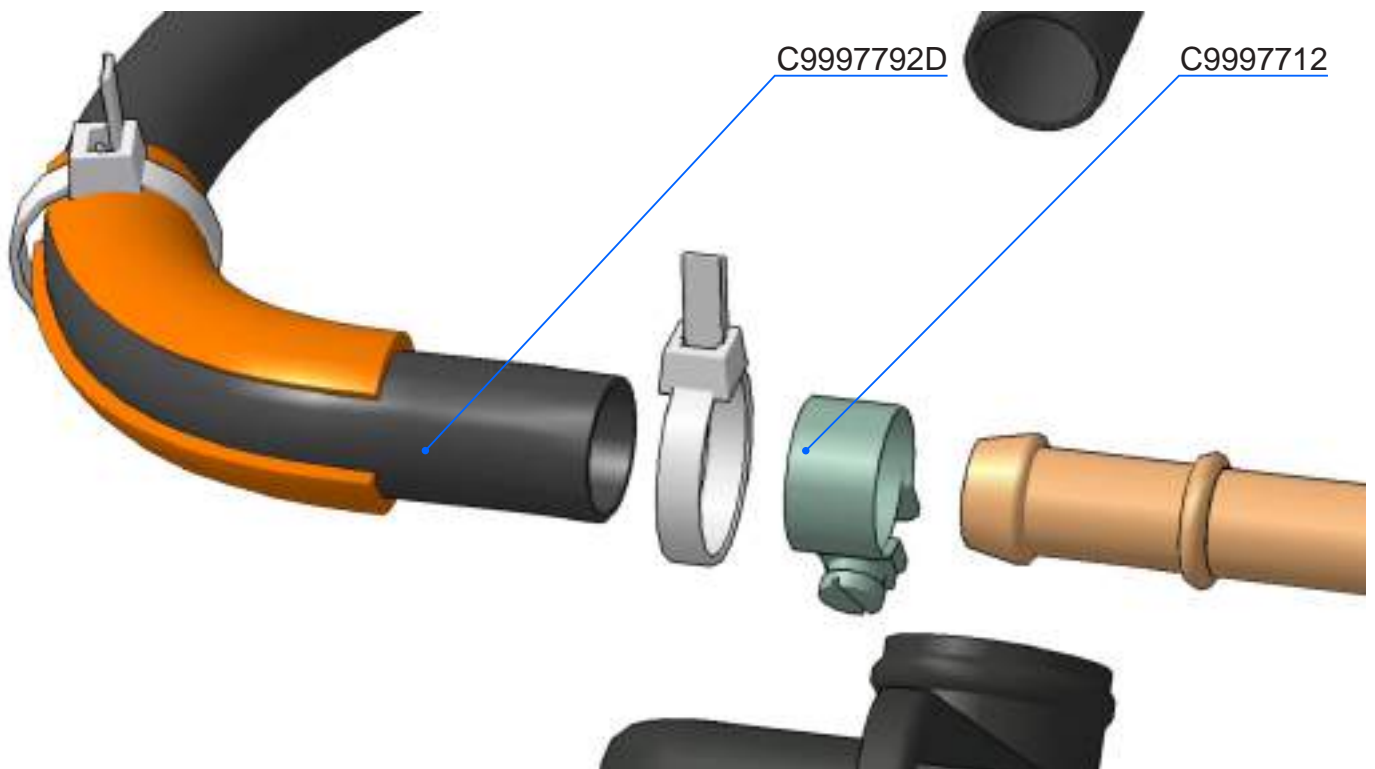
OIL HOSE CONNECTION (2)



Part Number	Description	Q-ty per ASSY	Unit
C9993189G	Fire protection hose, red	1	m
C9997712	Clamp 12-20	2	pcs
C9997727C	TY-wraps CV-100 white	4	pcs
C9997792D	Oil hose 1500mm	1	pcs

C9997727C

C9993189G



C9997792D

C9997712

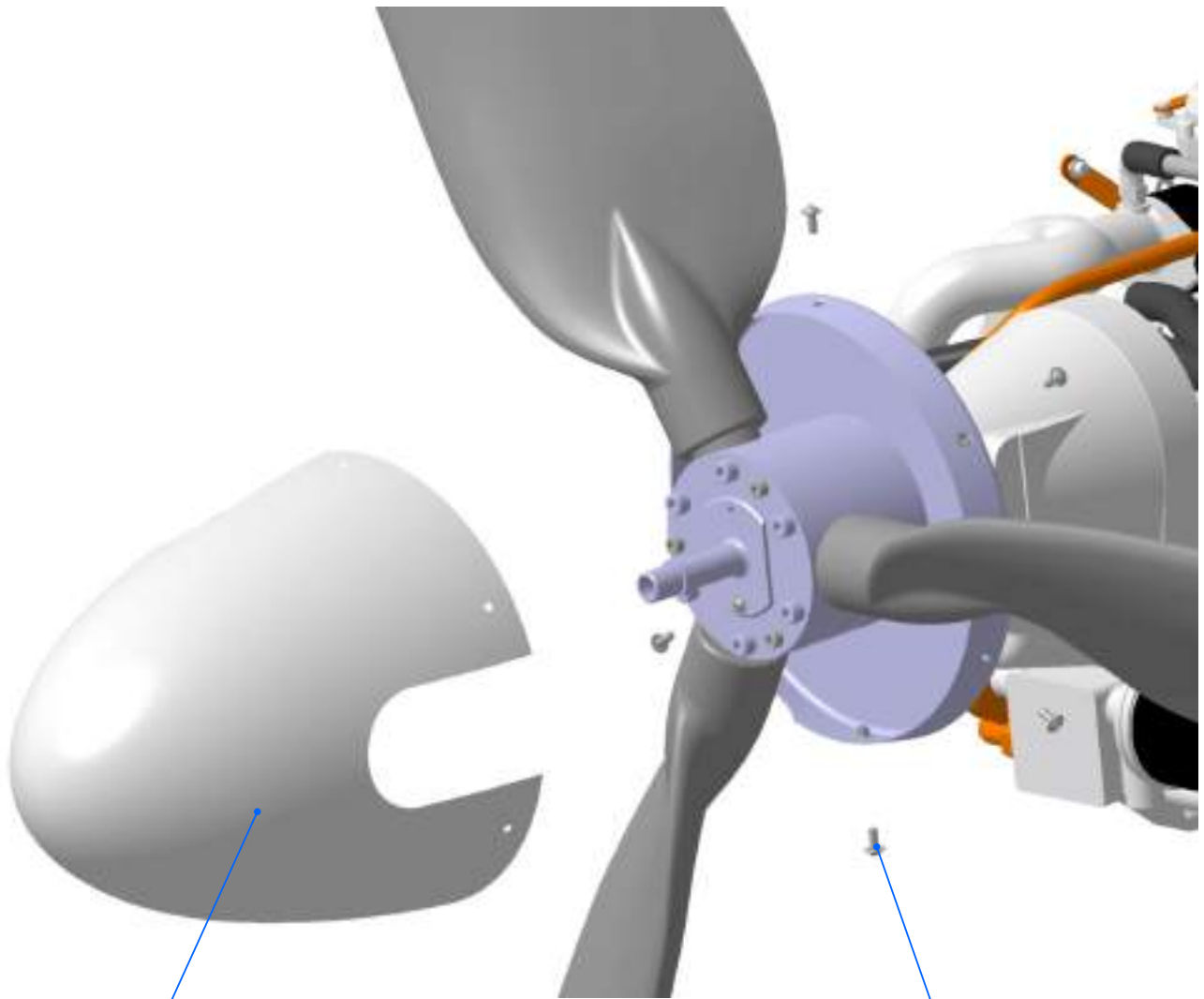
Propeller

Neuform Three Blade Propeller



Part Number	Description	Q-ty per ASSY	Unit
KF61000001	Propeller spacer	1	pcs
KF61000002	Bush	6	pcs
KF61000003	Bush	6	pcs
KF61000004	Spinner axis	1	pcs
KF61000100	Spinner	1	pcs
KF61000200	Spinner supporting disk	1	pcs
C9996035	Bolt DIN 912 M5x16-8.8	2	pcs
C9996063	Bolt DIN 912 M6x50-8.8	4	pcs
C9996161	Screw ISO 7380 M5x12	6	pcs
C9996260	Bolt DIN 931 M8x130-8.8	6	pcs
C9996336	Self-locking nut DIN 985-M8, regular	6	pcs
C9996503	Washer DIN 125 A2-5.3mm	2	pcs
C9996505	Washer DIN 125 A-8.4mm VZ	6	pcs
C9997799C	Propeller Neuform CR3-65-47-101.6	1	set

SPINER NEUFORM INSTALLATION

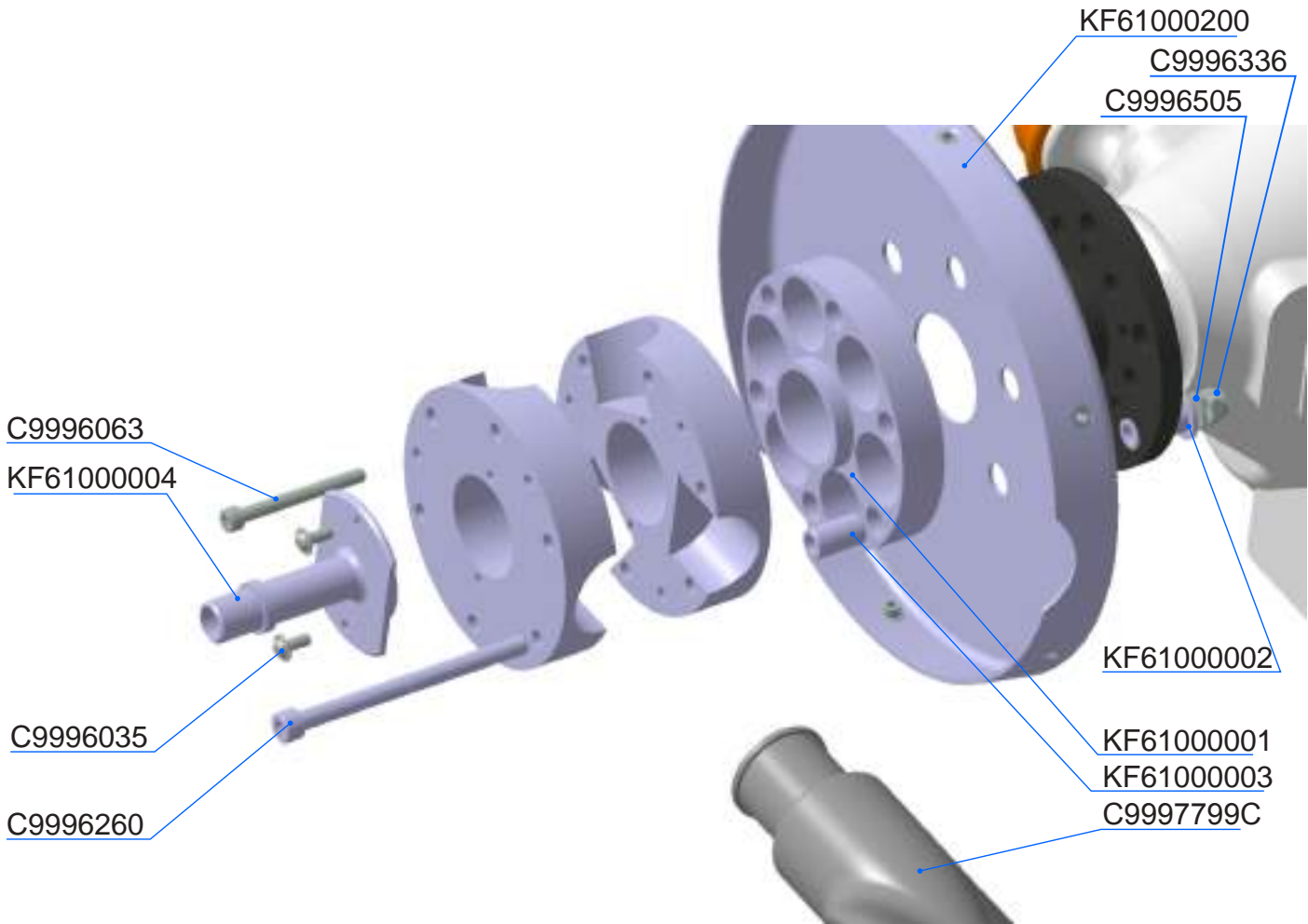


KF61000100

C9996161

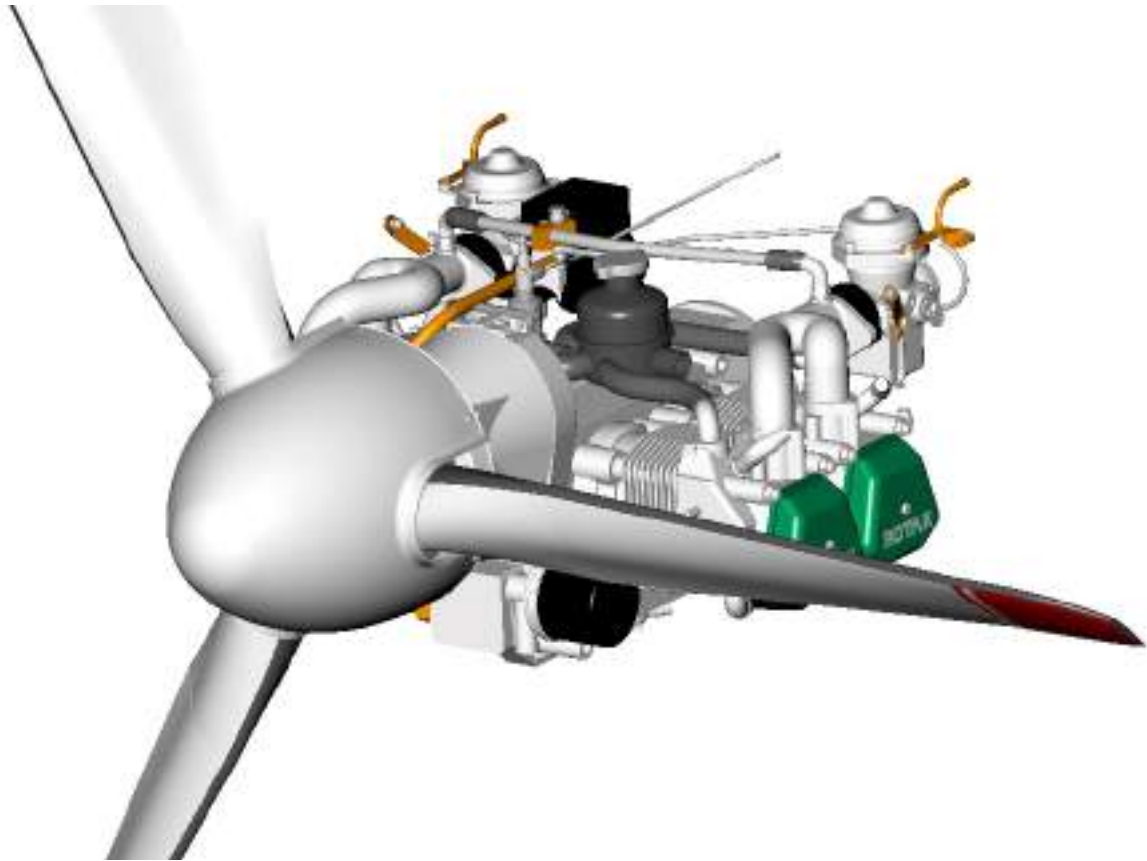
Part Number	Description	Q-ty per ASSY	Unit
KF61000100	Spinner	1	pcs
C9996161	Screw ISO 7380 M5x12	6	pcs

PROPELLER NEUFORM INSTALLATION



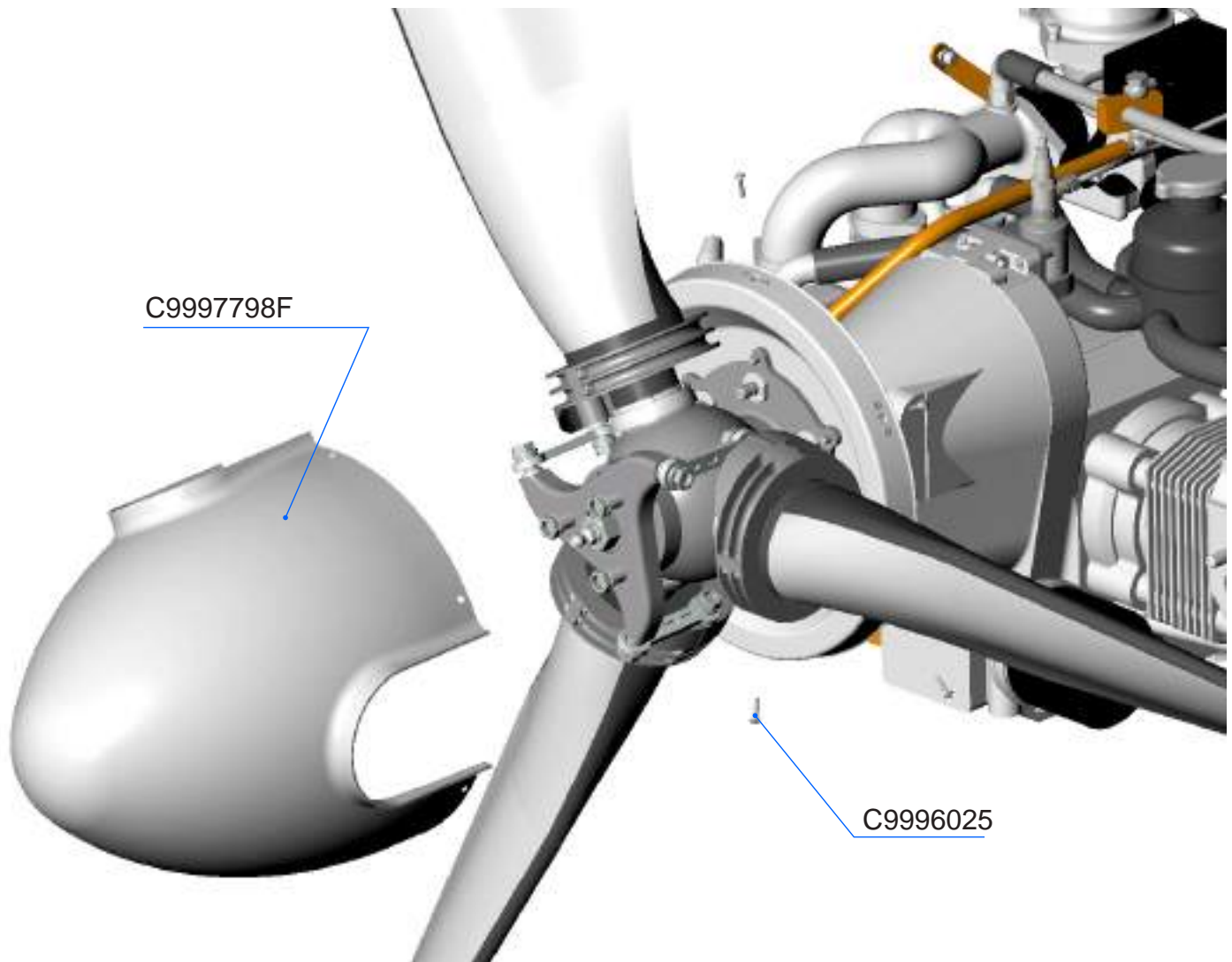
Part Number	Description	Q-ty per ASSY	Unit
KF61000001	Propeller spacer	1	pcs
KF61000002	Bush	6	pcs
KF61000003	Bush	6	pcs
KF61000004	Spinner axis	1	pcs
KF61000200	Spinner supporting disk	1	pcs
C9996035	Bolt DIN 912 M5x16-8.8	2	pcs
C9996063	Bolt DIN 912 M6x50-8.8	4	pcs
C9996260	Bolt DIN 931 M8x130-8.8	6	pcs
C9996336	Self-locking nut DIN 985-M8, regular	6	pcs
C9996503	Washer DIN 125 A2-5.3mm	2	pcs
C9996505	Washer DIN 125 A-8.4mm VZ	6	pcs
C9997799C	Propeller Neuform CR3-65-47-101.6	1	set

Three-bladed propeller Kaspar



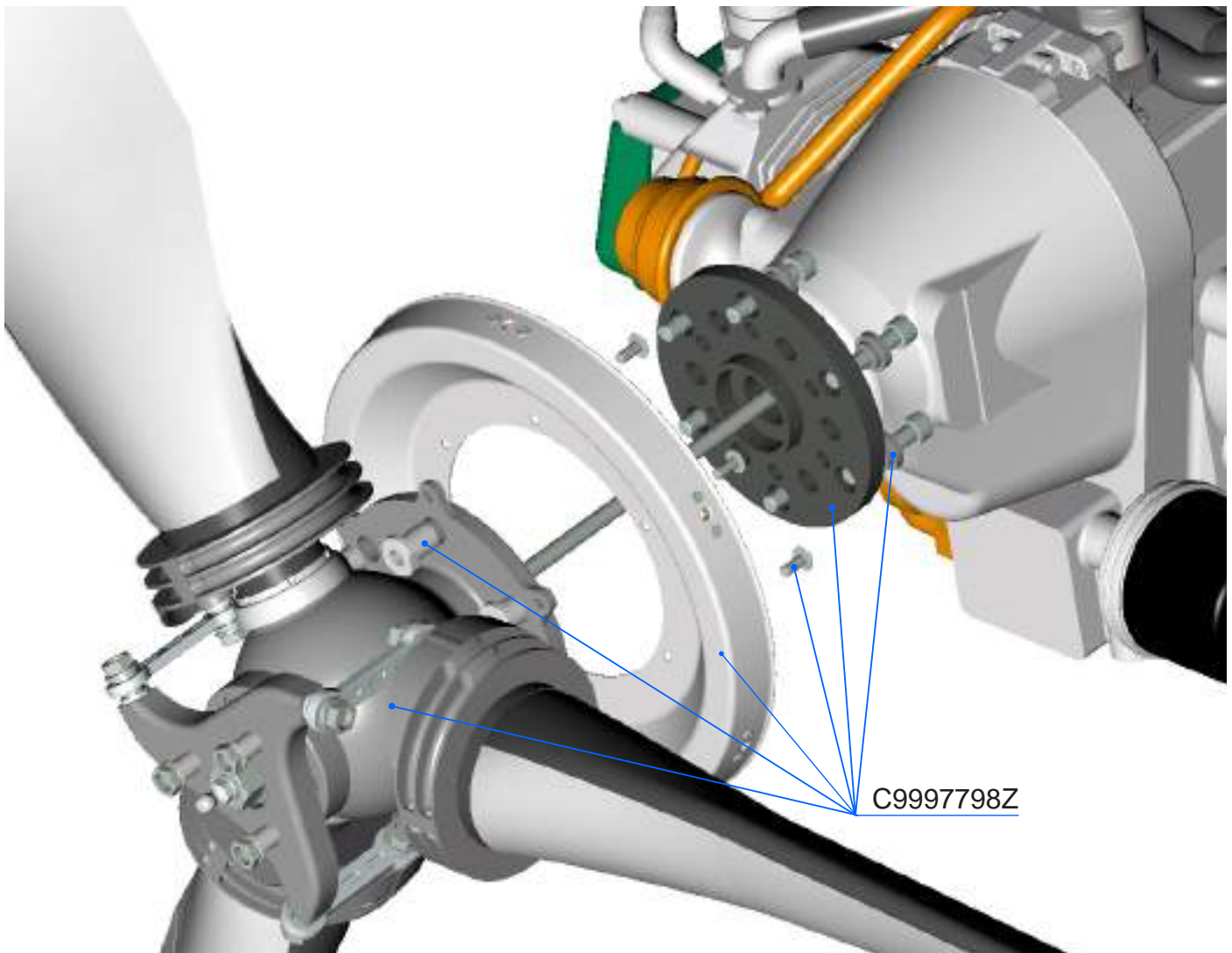
Part Number	Description	Q-ty per ASSY	Unit
C9997798Z	Three-bladed propeller Kaspar	1	set
C9997798A	Operating handle of propeller CR3 -V	1	pcs
C9997798F	Three-bladed propeller spinner	1	pcs
C9996025	Bolt DIN 912 M4x16-8.8	6	pcs
C9996334	Self-locking nut DIN 985-M6, regular	4	pcs
C9996504	Washer DIN 125 A4-6.4mm	8	pcs
C9996565	Washer DIN 9021-6.4mm VZ	8	pcs
C9996064	Bolt DIN 912 M6x60-8.8	1	pcs
C9996161	Screw ISO 7380 M5x12	2	pcs
C9996165	Bolt DIN 912 M6x55-8.8	3	pcs

SPINER KASPAR INSTALLATION

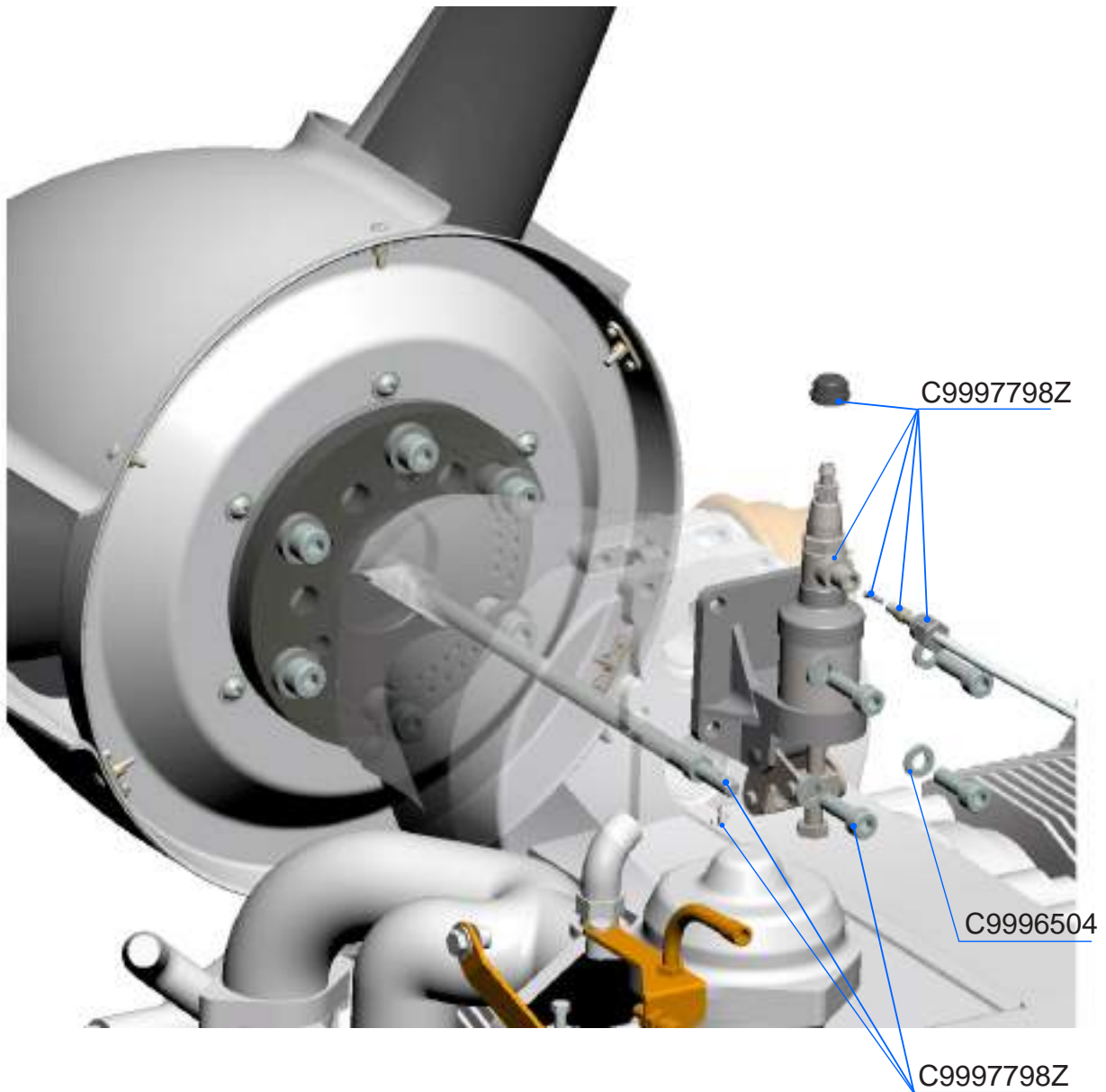


Part Number	Description	Q-ty per ASSY	Unit
C9996025	Bolt DIN 912 M4x16-8.8	6	pcs
C9997798F	Three-bladed propeller spinner	1	pcs

PROPELLER KASPAR INSTALLATION

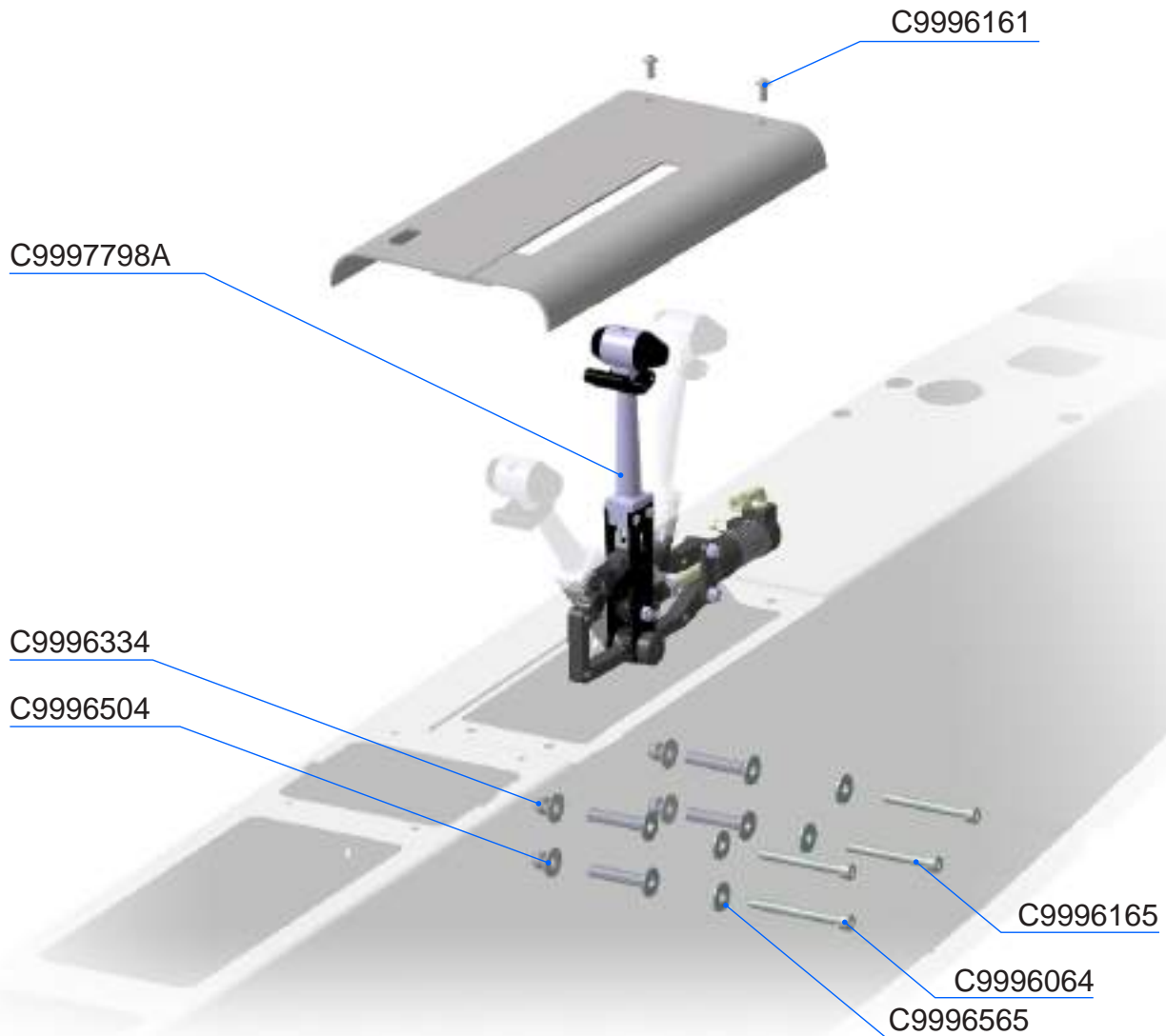


Part Number	Description	Q-ty per ASSY	Unit
C9997798Z	Three-bladed propeller Kaspar	1	set



Part Number	Description	Q-ty per ASSY	Unit
C9996504	Washer DIN 125 A4-6.4mm	4	pcs
C9997798Z	Three-bladed propeller Kaspar	1	set

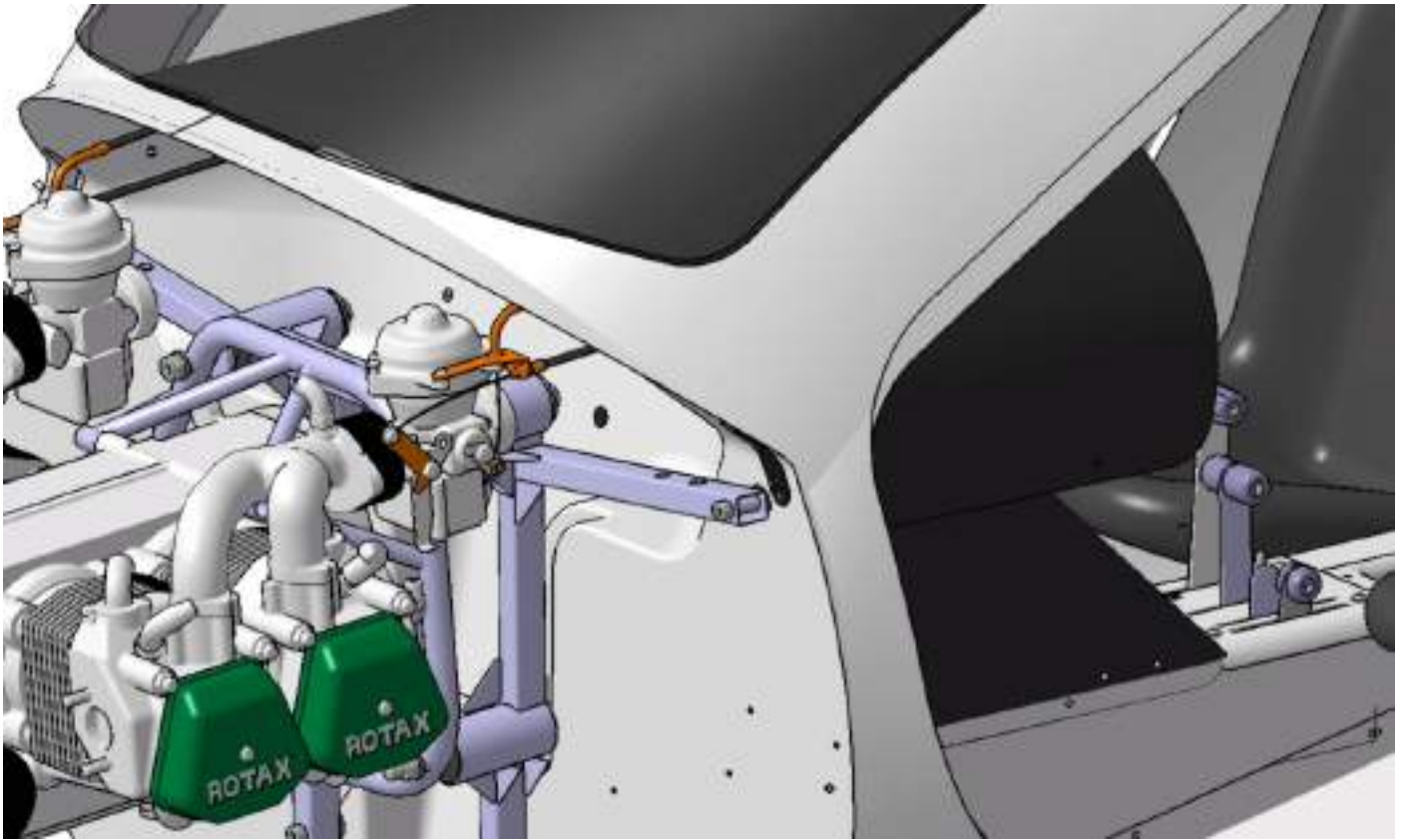
HANDLE MOUNTING, KASPAR PROPELLER CONTROL



Part Number	Description	Q-ty per ASSY	Unit
C9996334	Self-locking nut DIN 985-M6, regular	4	pcs
C9996504	Washer DIN 125 A4-6.4mm	4	pcs
C9996565	Washer DIN 9021-6.4mm VZ	8	pcs
C9996064	Bolt DIN 912 M6x60-8.8	1	pcs
C9996161	Screw ISO 7380 M5x12	2	pcs
C9996165	Bolt DIN 912 M6x55-8.8	3	pcs
C9997798A	Operating handle of propeller CR3 -V	1	pcs

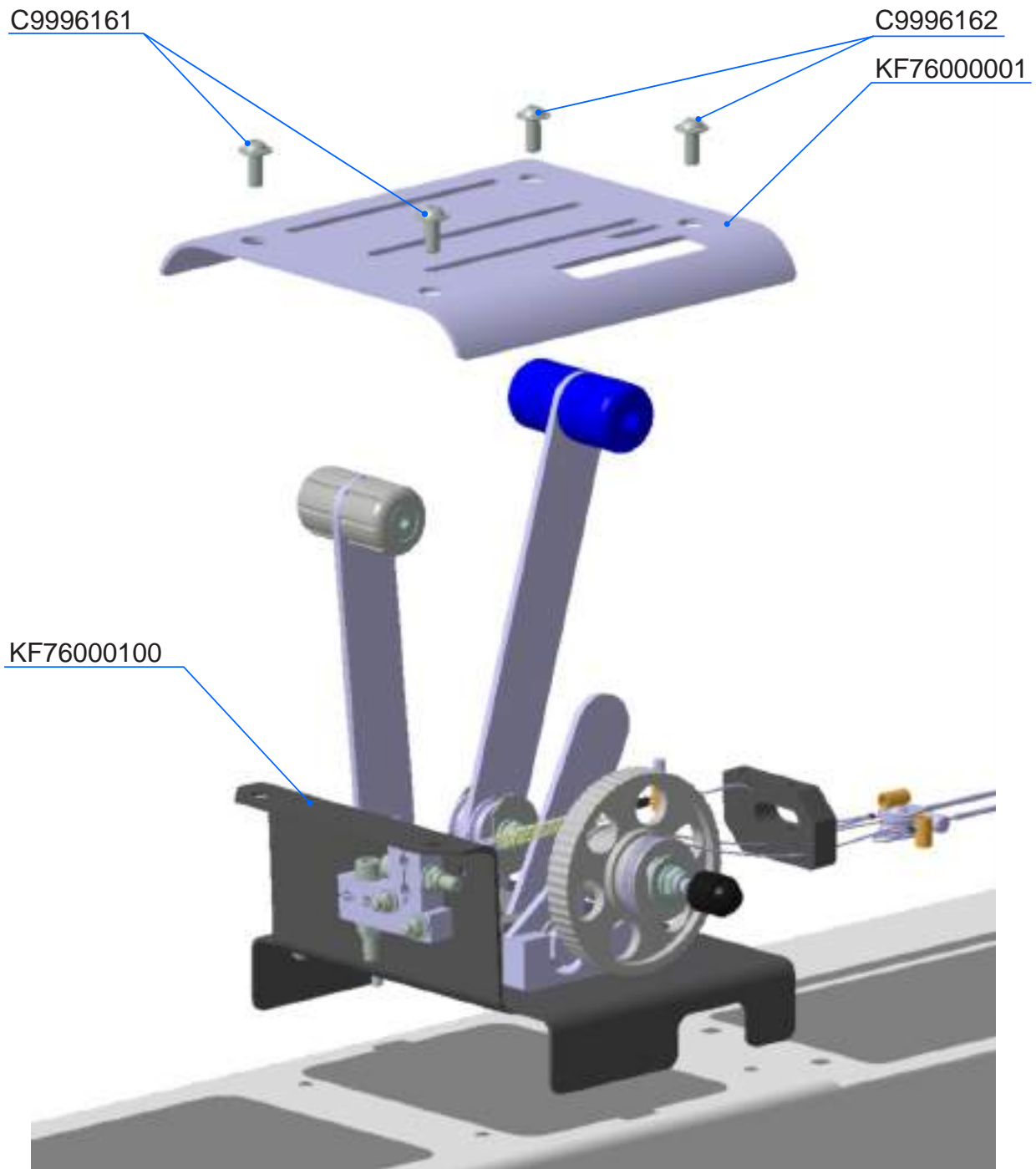
CHAPTER 6: FLIGHT CONTROL

Engine Control



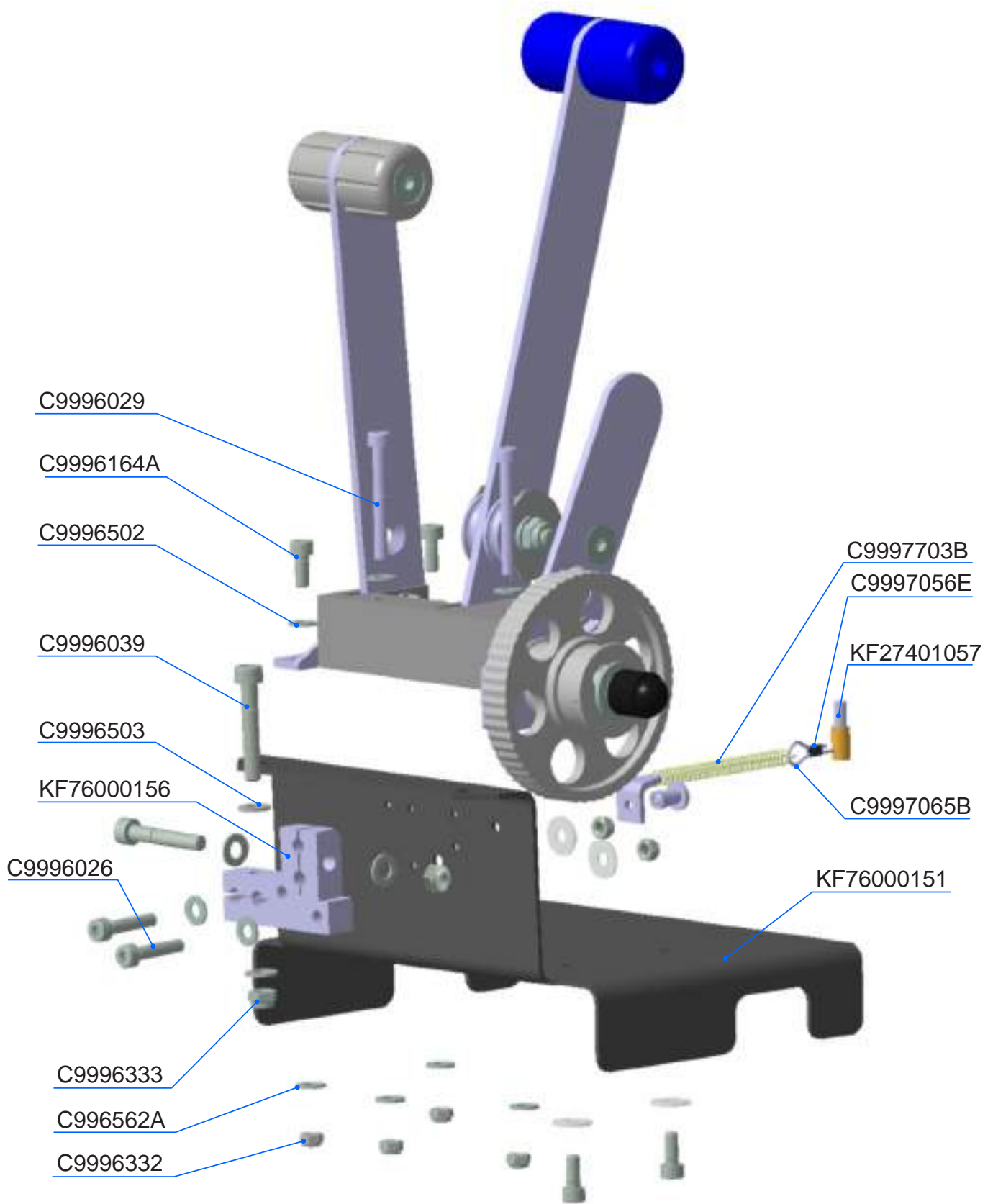
Part Number	Description	Q-ty per ASSY	Unit
KF76000100	Throttle box	1	pcs
C9993192	Cable housing 1.9x5.0	4.4	m
C9996035	Bolt DIN 912 M5x16-8.8	4	pcs
C9996037	Bolt DIN 912 M5x20-8.8	2	pcs
C9996039	Bolt DIN 912 M5x30-8.8	2	pcs
C9996042	Bolt DIN 912 M5x45-8.8	1	pcs
C9996161	Screw ISO 7380 M5x12	4	pcs
C9996333	Self-locking nut DIN 985-M5, regular	11	pcs
C9996336	Self-locking nut DIN 985-M8, regular	2	pcs
C9996503	Washer DIN 125 A2-5.3mm	5	pcs
C9996505	Washer DIN 125 A-8.4mm VZ	4	pcs
C9996563	Washer DIN 9021-5.3mm VZ	2	pcs
C9996650	Stainl. steel rivet A2 4x7.5	2	pcs
C9997065B	Steel rope 7x7 1 mm	5.1	m
C9997816B	Cable stop 621.1-Z15.2 zk	1	pcs
C9997816C	Cable stop 1806-Z ni	2	pcs

COVERING PLATE

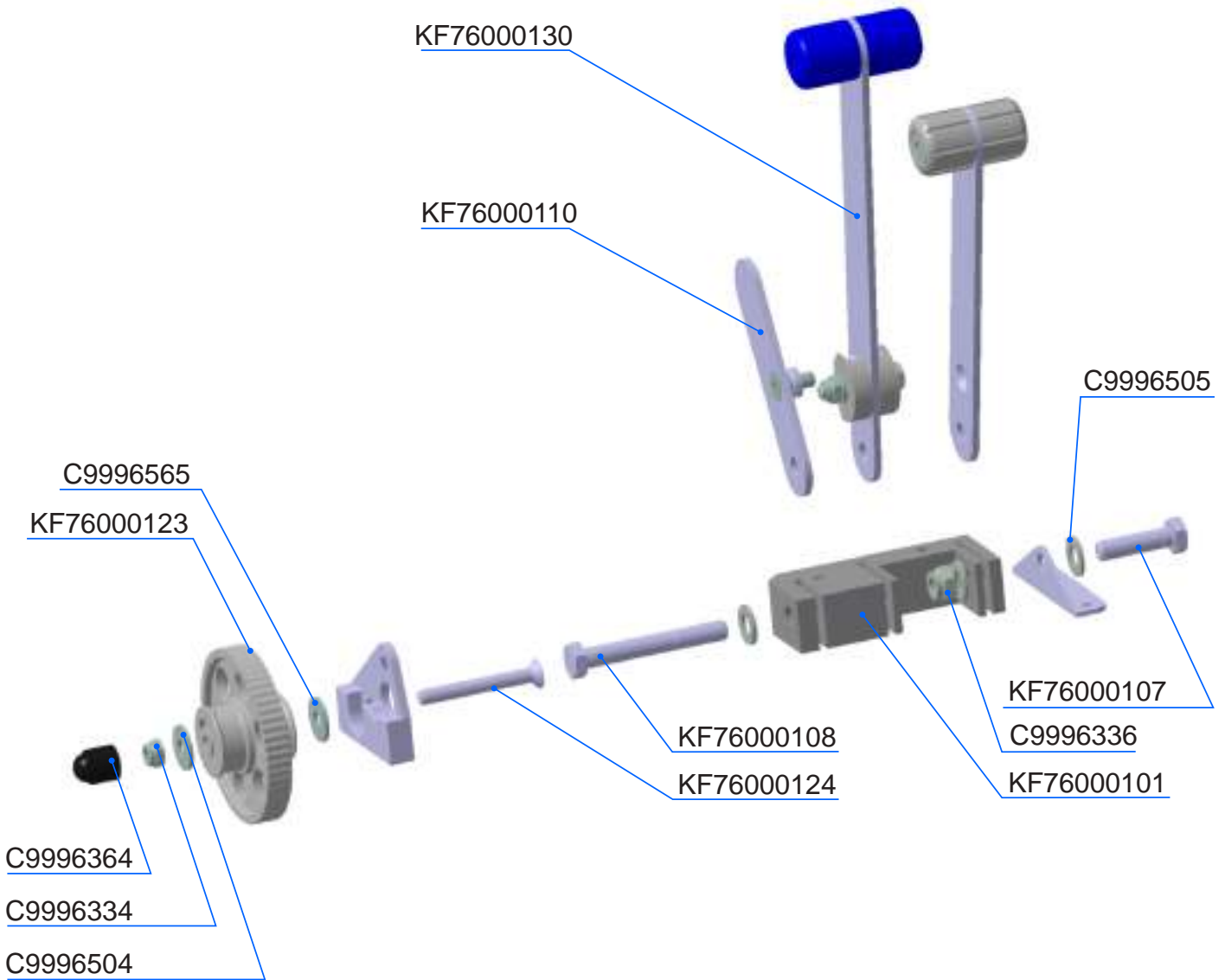


Part Number	Description	Q-ty per ASSY	Unit
KF76000001	Covering plate assembly	1	pcs
KF76000100	Throttle box	1	pcs
C9996161	Screw ISO 7380 M5x12	2	pcs
C9996162	Screw ISO 7380 M5x16	2	pcs

KF76000100 — THROTTLE BOX MOUNTING



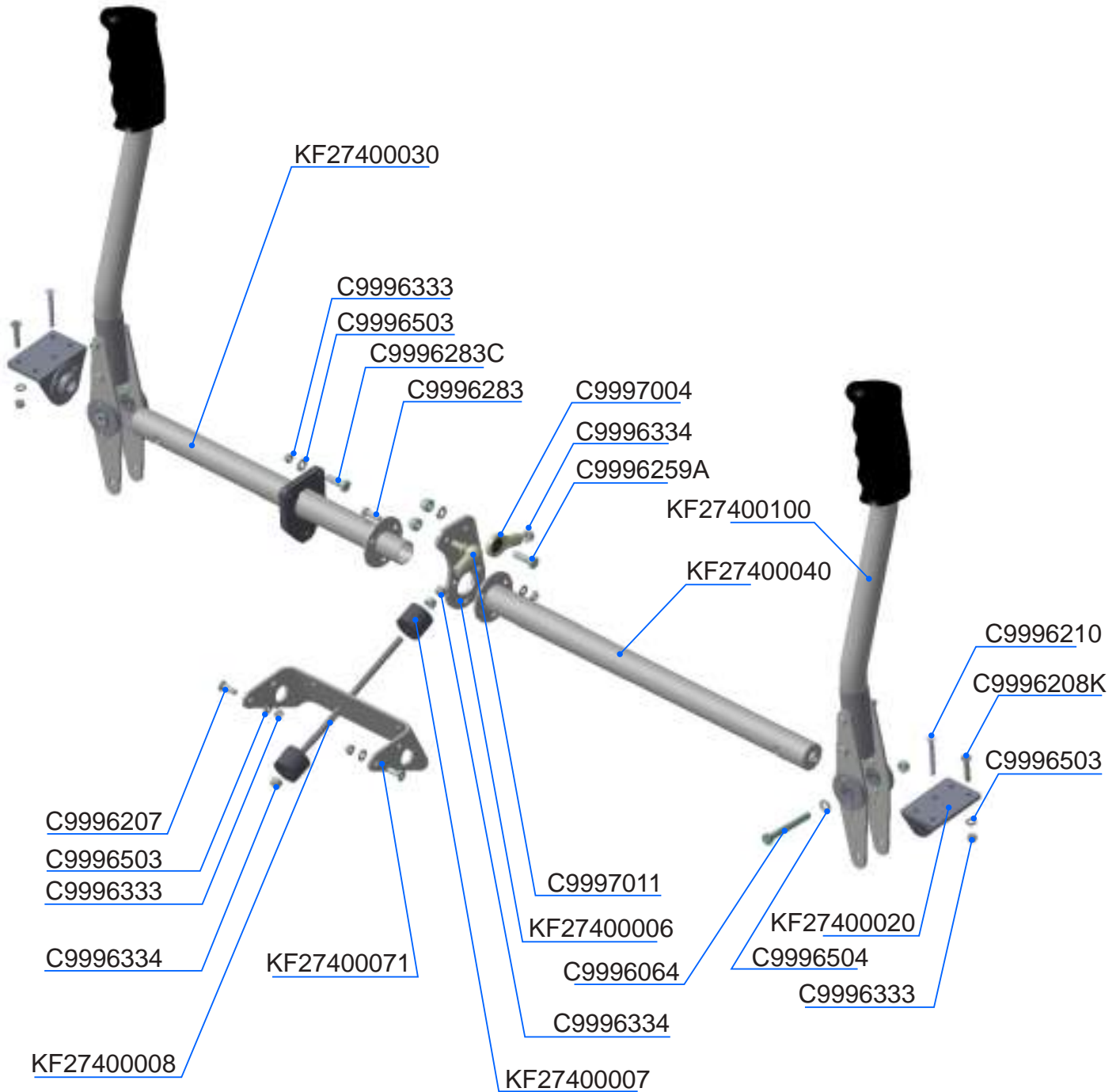
THROTTLE BOX

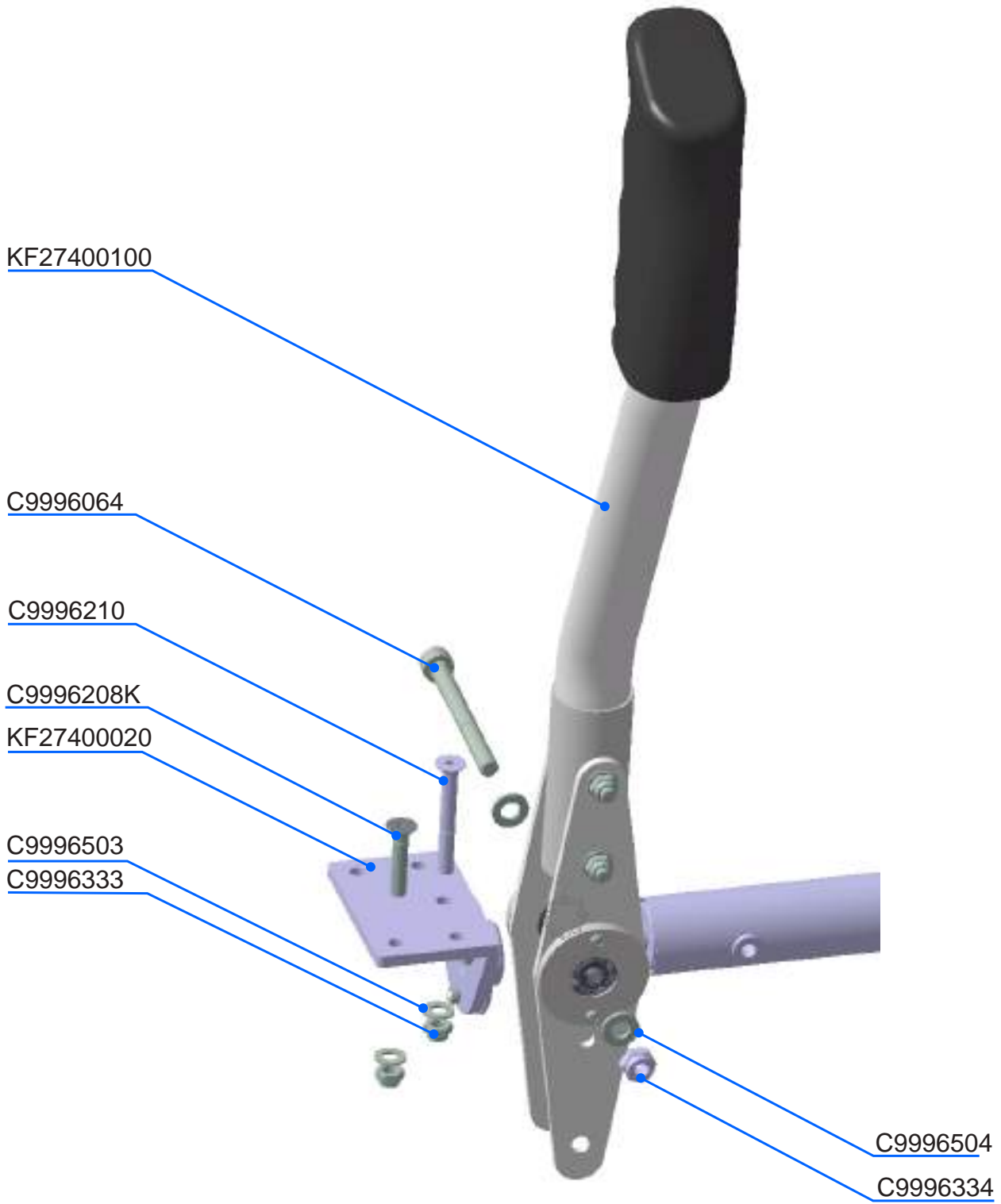


Part Number	Description	Q-ty per ASSY	Unit
KF27401057	Pointer, Trim Tab Position	1	pcs
KF76000101	Body	1	pcs
KF76000107	Bolt M8x28	1	pcs
KF76000108	Bolt M8x60	1	pcs
KF76000110	Choke	1	set
KF76000123	Steering Wheel	1	pcs
KF76000124	Bolt M6x57	1	pcs
KF76000130	Trottle	1	set
KF76000151	Main Plate	1	pcs
KF76000156	Fixation Plate	1	pcs
C9996164A	Bolt DIN 912 M4x12-8.8	4	pcs
C9996039	Bolt DIN 912 M5x30-8.8	2	pcs
C9996026	Bolt DIN 912 M4x20-8.8	2	pcs
C9996502	Washer DIN 125 A2-4.3mm	4	pcs
C9996503	Washer DIN 125 A2-5.3mm	4	pcs
C9996504	Washer DIN 125 A2B-6.4mm	1	pcs
C9996505	Washer DIN 125 A-8.4mm VZ	4	pcs
C9996565	Washer DIN 9021-6.4mm VZ	2	pcs
C9996332	Self-locking nut DIN 985-M4, regular	6	pcs
C9996333	Self-locking nut DIN 985-M5, regular	2	pcs
C9996334	Self-locking nut DIN 985-M6, regular	1	pcs
C9996336	Self-locking nut DIN 985-M8, regular	2	pcs
C9996364	Cap for nut M6	1	pcs
C9996834	Countersunk rivet nut, steel, M5	2	pcs
C9996602	Stainl. steel rivet A2 3.2x8	1	pcs
C9997703B	Spring 0,5x5,0x25,0	1	pcs
C9997051	Nicopress oval sleeve 1.5-1.7 mm	3	pcs
C9997056E	Nicopress stop sleeve 1.5-1.7 mm	1	pcs
C9997816B	Cable stop 621.1-Z15.2 zk	1	pcs
C9996562A	Washer DIN 9021-4.3 mm A4	8	pcs
C9996029	Bolt DIN 912 M4x35-8.8	2	pcs
C9997065B	Steel rope 7x7 1 mm	0,5	m

Stabilator Control

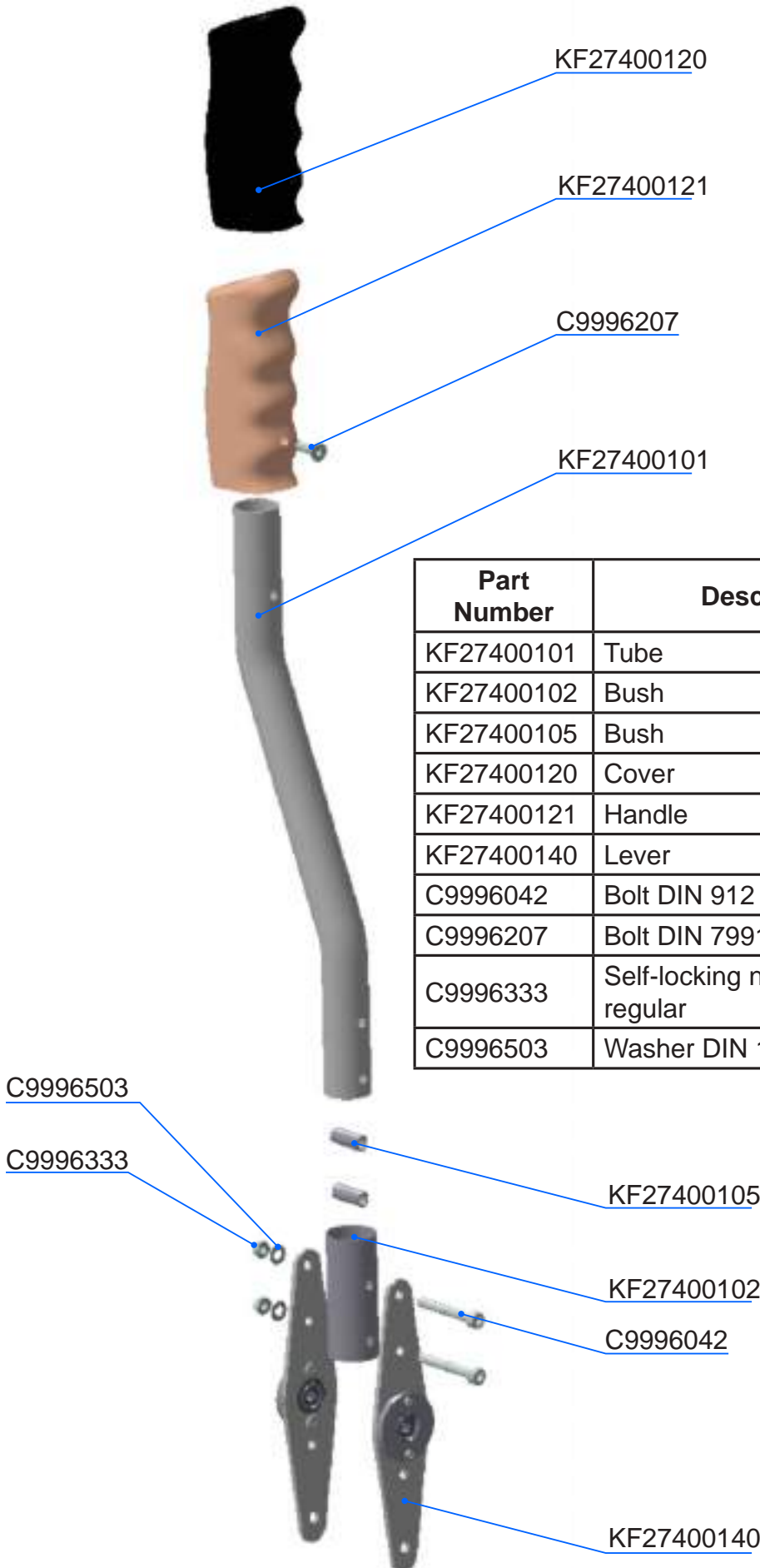
STABILATOR CONTROL (FORWARD PART)





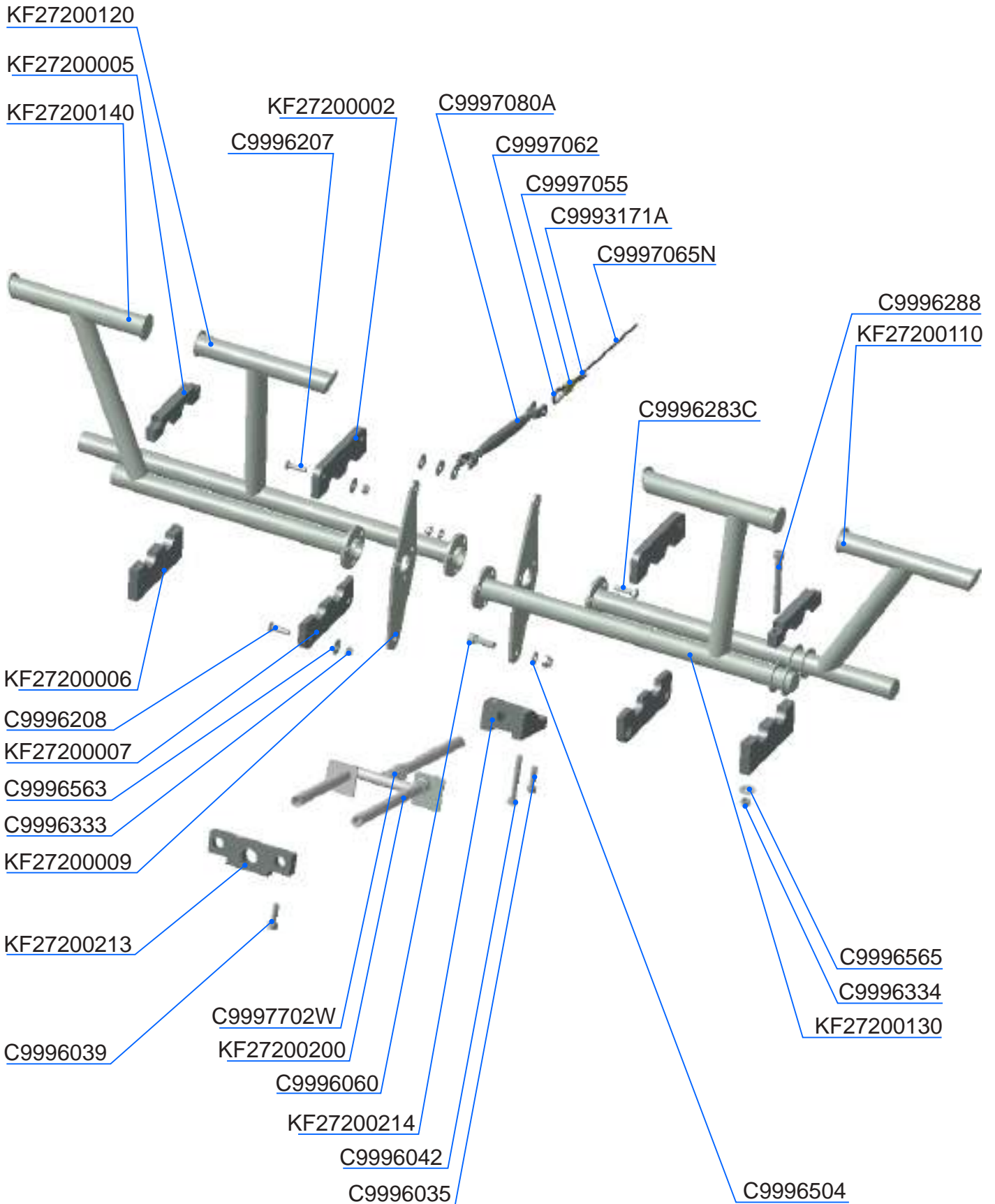
Part Number	Description	Q-ty per ASSY	Unit
KF27400006	Rocker	1	pcs
KF27400007	Bush	2	pcs
KF27400008	Rod	1	pcs
KF27400009	Clamp	1	pcs
KF27400020	Bracket	2	pcs
KF27400030	Torsion tube, right	1	pcs
KF27400040	Torsion tube, left	1	pcs
KF27400071	Stopper plate	1	pcs
KF27400100	Control stick	2	pcs
KF27500007	Bush	1	pcs
C9993172F	Shrinking hose 6.4-3.2	0.1	m
C9996064	Bolt DIN 912 M6x60-8.8	2	pcs
C9996207	Bolt DIN 7991 M5x16-8.8	4	pcs
C9996208K	Bolt DIN 7991 M5x25-8.8	10	pcs
C9996215	Bolt DIN 7991 M6x16-8.8	2	pcs
C9996259A	Bolt DIN 931 M6x30-8.8	1	pcs
C9996283	Bolt DIN 933 M5x16-8.8	3	pcs
C9996283C	Bolt DIN 933 M5x20-8.8	5	pcs
C9996333	Self-locking nut DIN 985-M5, regular	19	pcs
C9996334	Self-locking nut DIN 985-M6, regular	10	pcs
C9996503	Washer DIN 125 A2-5.3mm	19	pcs
C9996504	Washer DIN 125 A2B-6.4mm	6	pcs
C9996563	Washer DIN 9021-5.3mm VZ	5	pcs
C9997004	Rod end bearing, int. thread SI6E	1	pcs
C9997011	Angle joint M 6	1	pcs
C9997092	Push-pull cable TIPO 70	1	pcs

KF27400100 - CONTROL STICK



Part Number	Description	Q-ty per ASSY	Unit
KF27400101	Tube	1	pcs
KF27400102	Bush	1	pcs
KF27400105	Bush	2	pcs
KF27400120	Cover	1	pcs
KF27400121	Handle	1	pcs
KF27400140	Lever	2	pcs
C9996042	Bolt DIN 912 M5x45-8.8	2	pcs
C9996207	Bolt DIN 7991 M5x16-8.8	1	pcs
C9996333	Self-locking nut DIN 985-M5, regular	2	pcs
C9996503	Washer DIN 125 A2-5.3mm	2	pcs

Rudder Control

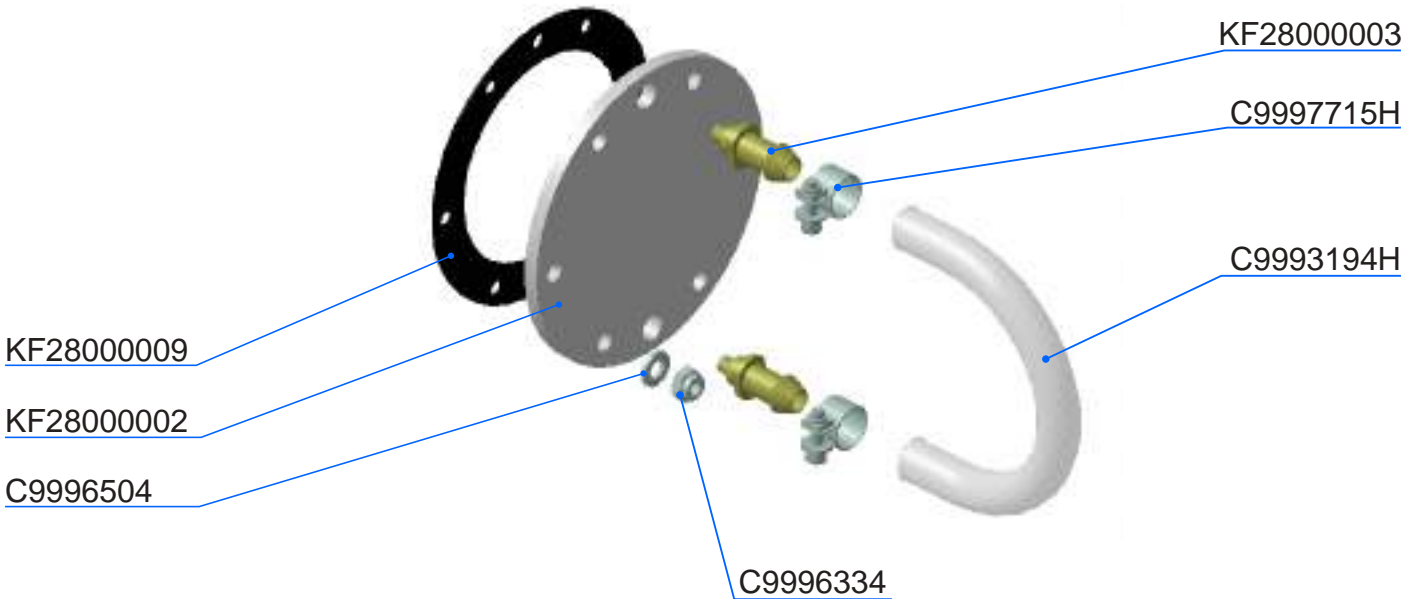


Part Number	Description	Q-ty per ASSY	Unit
KF27200002	Covering plate upper	2	pcs
KF27200005	Sliding bearing upper	2	pcs
KF27200006	Sliding bearing lower	2	pcs
KF27200007	Covering plate lower	2	pcs
KF27200009	Rocker	2	pcs
KF27200110	Pedal rear left	1	pcs
KF27200120	Pedal rear right	1	pcs
KF27200130	Pedal front left	1	pcs
KF27200140	Pedal front right	1	pcs
KF27200200	Rudder zero position device	1	pcs
KF27200213	Centering support	1	pcs
KF27200214	Centering support	1	pcs
C9993171A	Shrinking hose RNF3000 12/4, transparent	0.2	m
C9996035	Bolt DIN 912 M5x16-8.8	2	pcs
C9996039	Bolt DIN 912 M5x30-8.8	2	pcs
C9996042	Bolt DIN 912 M5x45-8.8	2	pcs
C9996060	Bolt DIN 912 M6x35-8.8	2	pcs
C9996207	Bolt DIN 7991 M5x16-8.8	4	pcs
C9996208	Bolt DIN 7991 M5x20-8.8	4	pcs
C9996283C	Bolt DIN 933 M5x20-8.8	6	pcs
C9996288	Bolt DIN 912 M6x70, A2	4	pcs
C9996333	Self-locking nut DIN 985-M5, regular	18	pcs
C9996334	Self-locking nut DIN 985-M6, regular	8	pcs
C9996503	Washer DIN 125 A2-5.3mm	10	pcs
C9996504	Washer DIN 125 A2B-6.4mm	2	pcs
C9996563	Washer DIN 9021-5.3mm VZ	20	pcs
C9996565	Washer DIN 9021-6.4mm VZ	16	pcs
C9997055	Nicopress oval sleeve 3.1-3.5 mm for 3.2mm cable	2	pcs
C9997062	Thimble 3 mm	4	pcs
C9997065N	Steel rope 7x19 3.5 mm	10	m
C9997080	Turnbuckle Bluewave M6	2	pcs
C9997702W	Compression Spring D-282B	1	pcs

CHAPTER 7: SYSTEMS

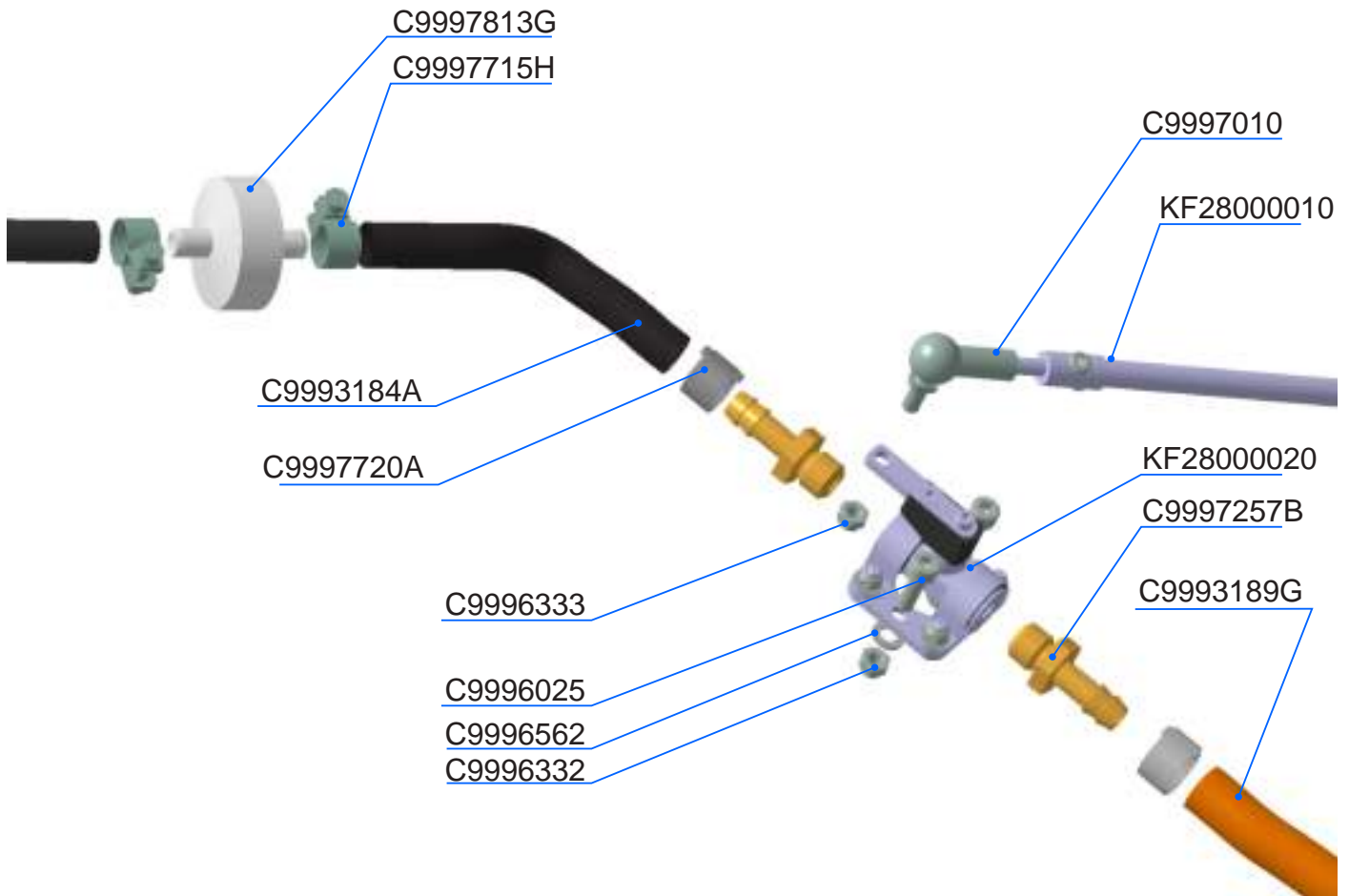
Fuel System

SIDE WING CAP



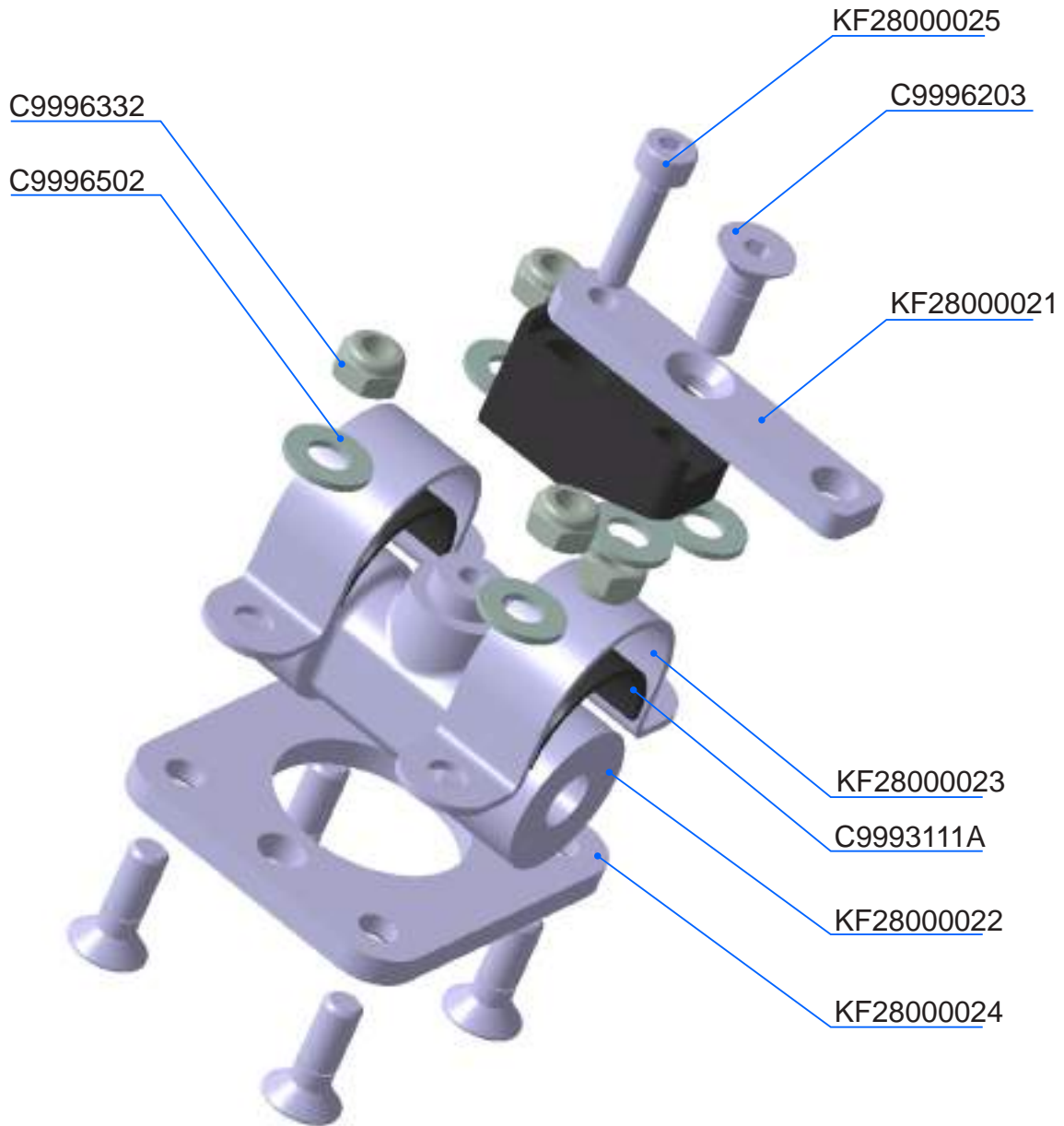
Part Number	Description	Q-ty per ASSY	Unit
KF28000002	Cap plate	1	pcs
KF28000003	Connection pipe	2	pcs
KF28000009	Rubber seal ring	1	pcs
C9993184A	Fuel tube DIN 73379, 7.5x13.0	0.09	m
C9993194H	PU hose 1/2" OD x 3/8" ID	0.2	m
C9996309	Nut M10x1	1	pcs
C9996334	Self-locking nut DIN 985-M6, regular	6	pcs
C9996504	Washer DIN 125 A2B-6.4mm	6	pcs
C9997715G	Clamp 13 mm	2	pcs
C9997715H	Clamp 14 mm	2	pcs

FUEL VALVE INSTALLATION



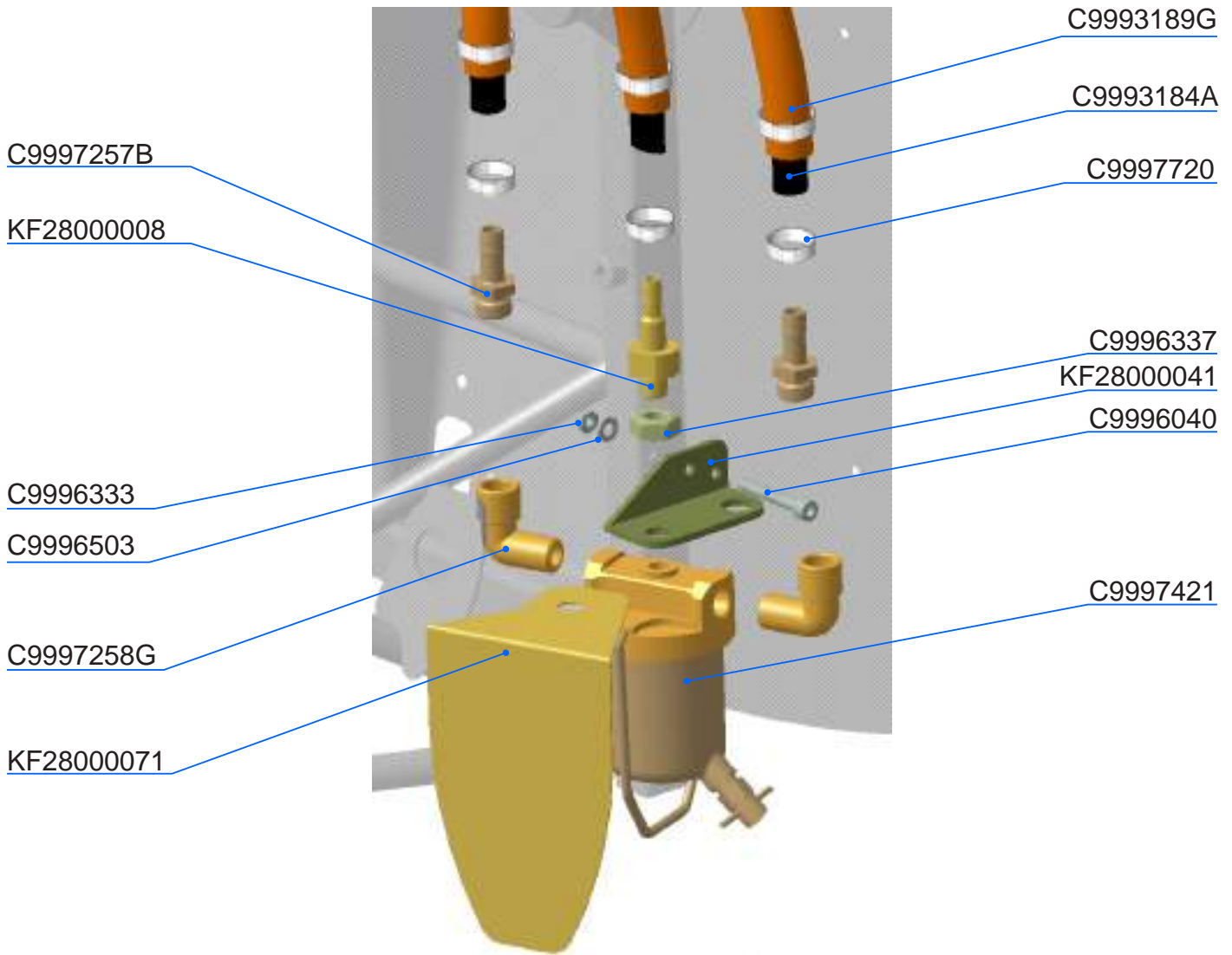
Part Number	Description	Q-ty per ASSY	Unit
KF28000010	Fuel valve rod	1	pcs
KF28000020	Fuel valve	1	pcs
C9993184A	Fuel tube DIN 73379, 7.5x13.0	1	m
C9993189G	Fire protection hose, red	1	m
C9996025	Bolt DIN 912 M4x16-8.8	2	pcs
C9996332	Self-locking nut DIN 985-M4, regular	2	pcs
C9996333	Self-locking nut DIN 985-M5, regular	1	pcs
C9996562	Washer DIN 9021-4.3 mm VZ	2	pcs
C9997010	Angle joint M 5	1	pcs
C9997257B	Connector E-GET60-9-1/4-MS	2	pcs
C9997715H	Clamp 14 mm	2	pcs
C9997720A	Disposable clamp 13.8 mm	2	pcs
C9997813G	Fuel filter for flow meter 5/16	1	pcs

FUEL VALVE INSTALLATION



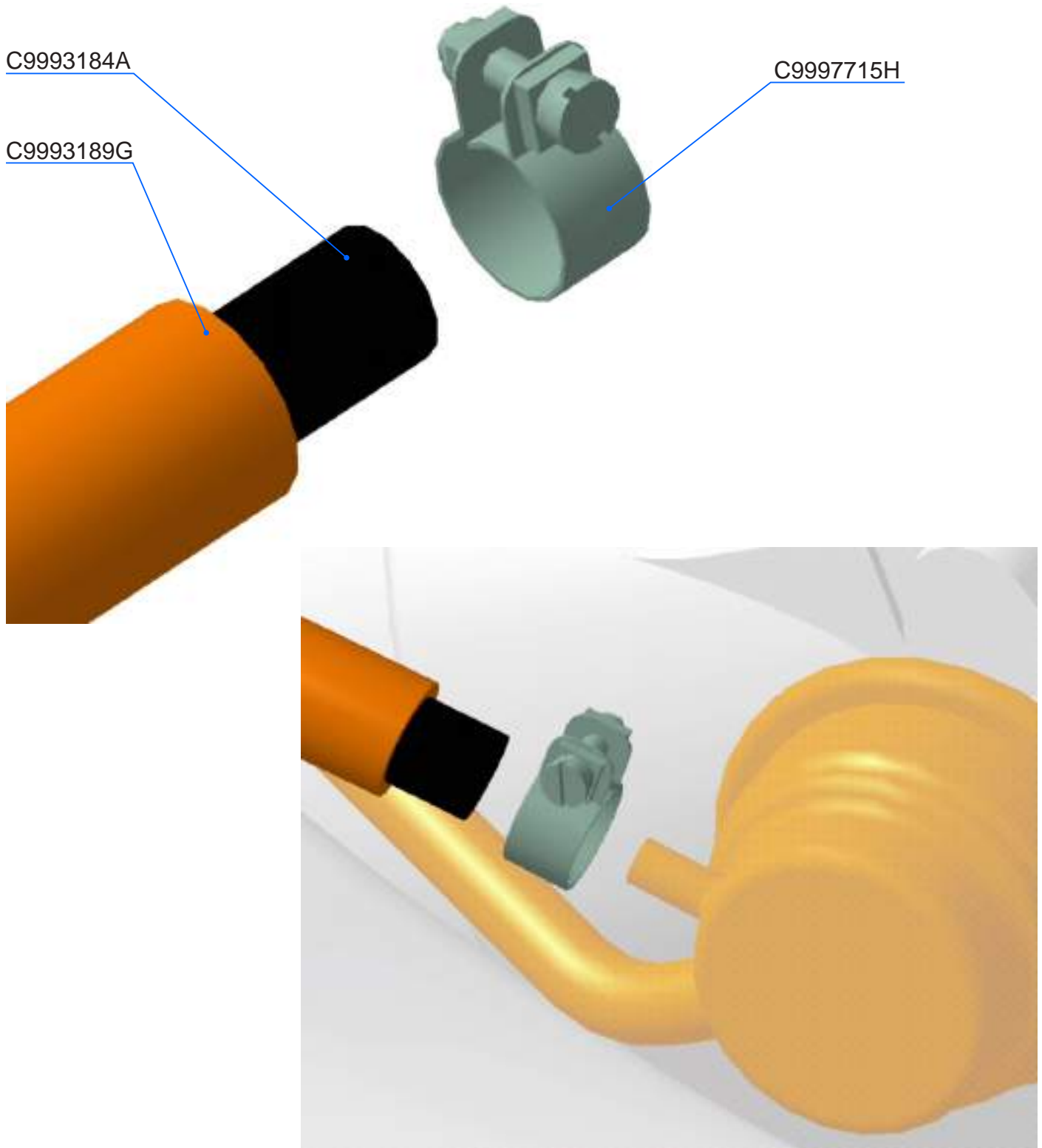
Part Number	Description	Q-ty per ASSY	Unit
KF28000021	Fuel valve tip	1	pcs
KF28000022	Fuel valve, machining	1	pcs
KF28000023	Clamp	2	pcs
KF28000024	Plate	1	pcs
KF28000025	Bolt	1	pcs
C9996332	Self-locking nut DIN 985-M4, regular	5	pcs
C9996203	Bolt DIN 7991 M4x12-10,9	5	pcs
C9996502	Washer DIN 125 A2-4.3mm	4	pcs
C9993111A	Perbunan gasoline-proof rubber NBR 80 Gas, 1mm	0,005	m2

GASCOLATOR ADAPTER



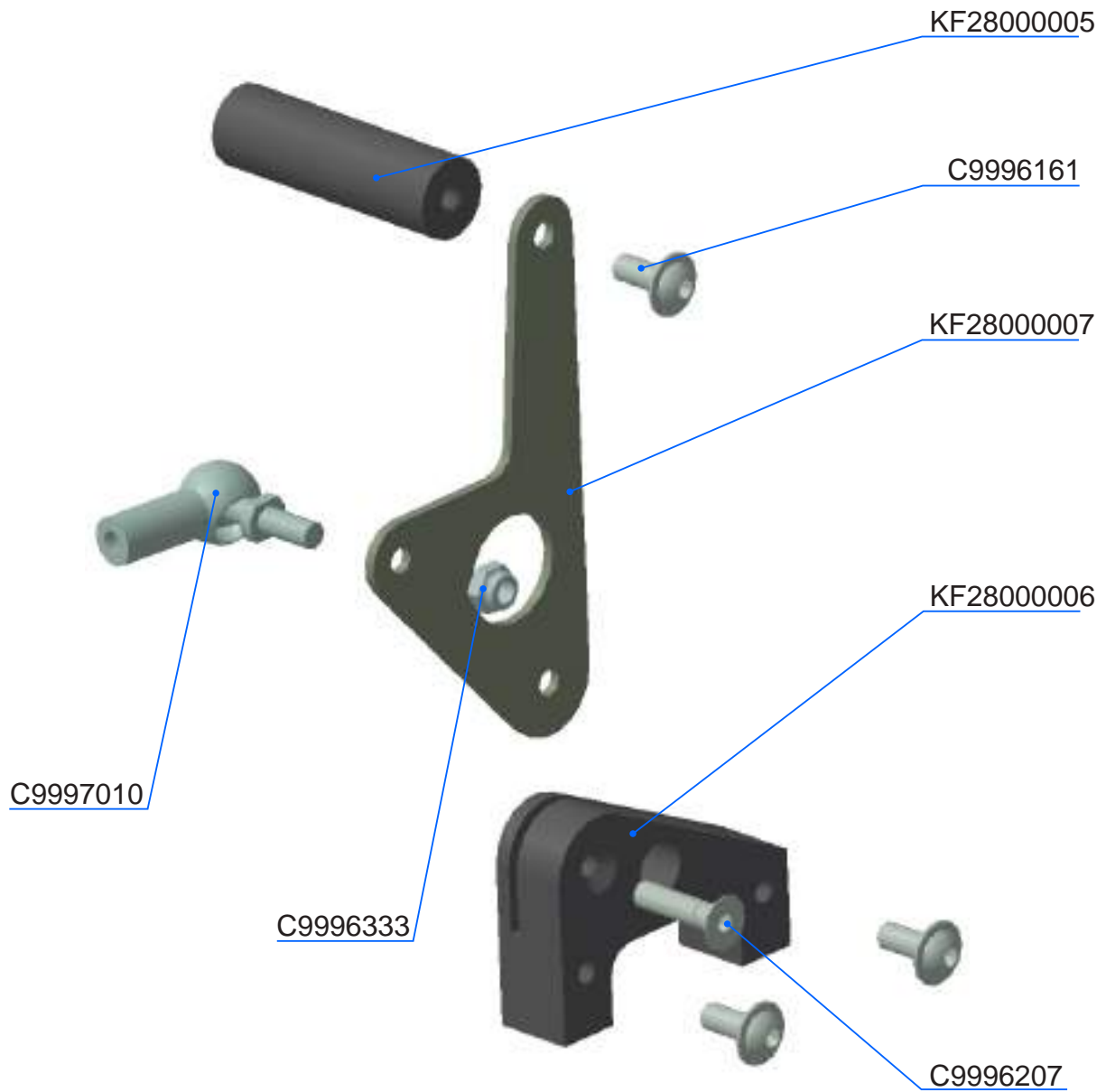
Part Number	Description	Q-ty per ASSY	Unit
KF28000008	Gascolator adapter	1	pcs
KF28000041	Gascolator bracket	1	pcs
KF28000071	Hot protection plate	1	pcs
C9993183	Fuel line DIN 73379 E 5.5x11.5 black	0.77	m
C9993184A	Fuel tube DIN 73379, 7.5x13.0	1	m
C9993189G	Fire protection hose, red	1.4	m
C9996040	Bolt DIN 912 M5x35-8.8	2	pcs
C9996333	Self-locking nut DIN 985-M5, regular	2	pcs
C9996337	Self-locking nut DIN 985-M10, regular	1	pcs
C9996503	Washer DIN 125 A2-5.3mm	2	pcs
C9997257B	Connector E-GET60-9-1/4-MS	2	pcs
C9997258G	Connector F-Wek-1/4-MSv	2	pcs
C9997421	Gascolator	1	pcs
C9997720	Clamp	6	pcs

FUEL LINE CONNECTION



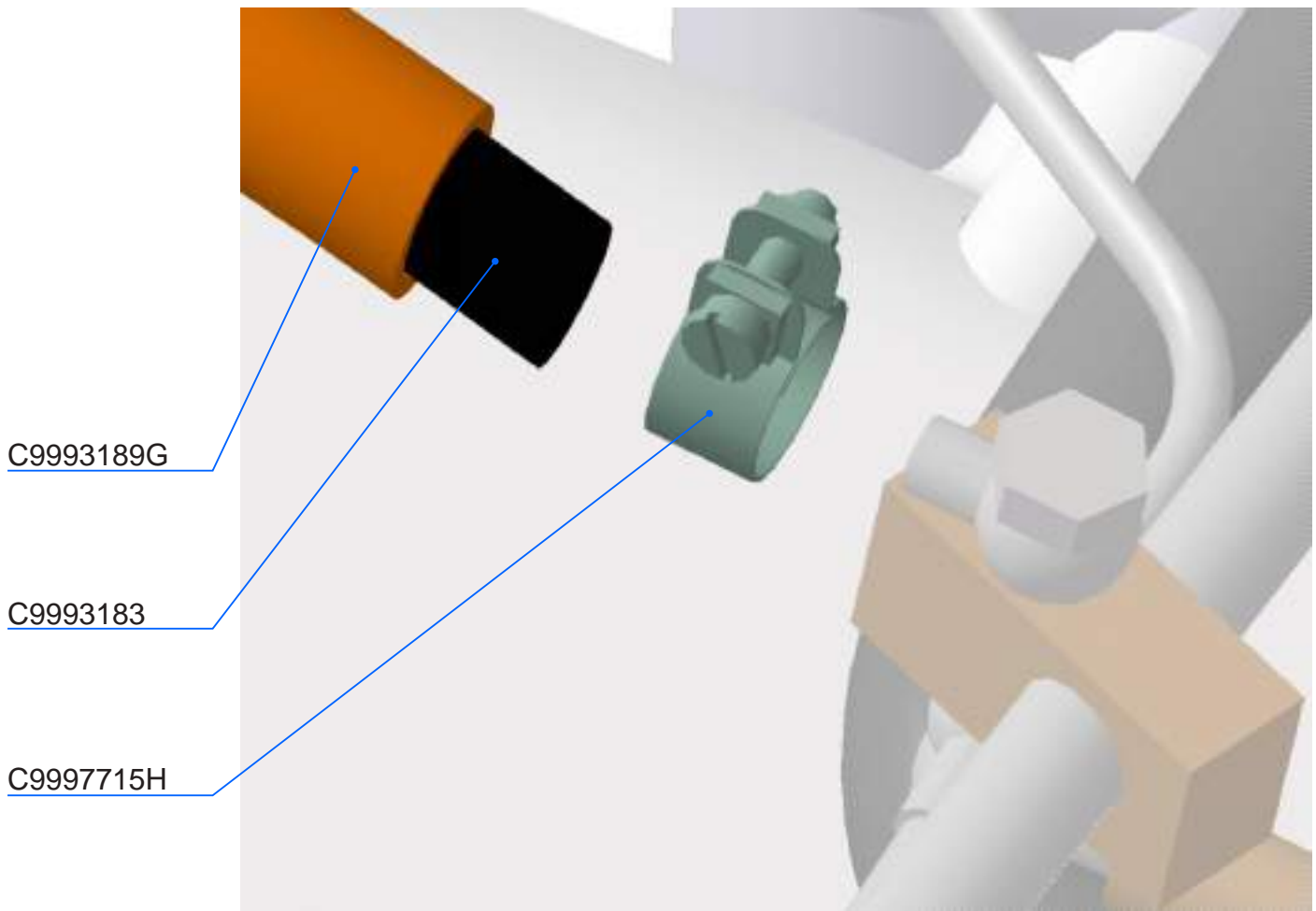
Part Number	Description	Q-ty per ASSY	Unit
C9993184A	Fuel tube DIN 73379, 7.5x13.0		
C9993189G	Fire protection hose, red		
C9997715H	Clamp 14 mm	1	pcs

FUEL VALVE HARD ASSEMBLY



Part Number	Description	Q-ty per ASSY	Unit
KF28000005	Handle	1	pcs
KF28000006	Support	1	pcs
KF28000007	Lever	1	pcs
C9996161	Screw ISO 7380 M5x12	3	pcs
C9996207	Bolt DIN 7991 M5x16-8.8	1	pcs
C9996333	Self-locking nut DIN 985-M5, regular	1	pcs
C9997010	Angle joint M 5	1	pcs

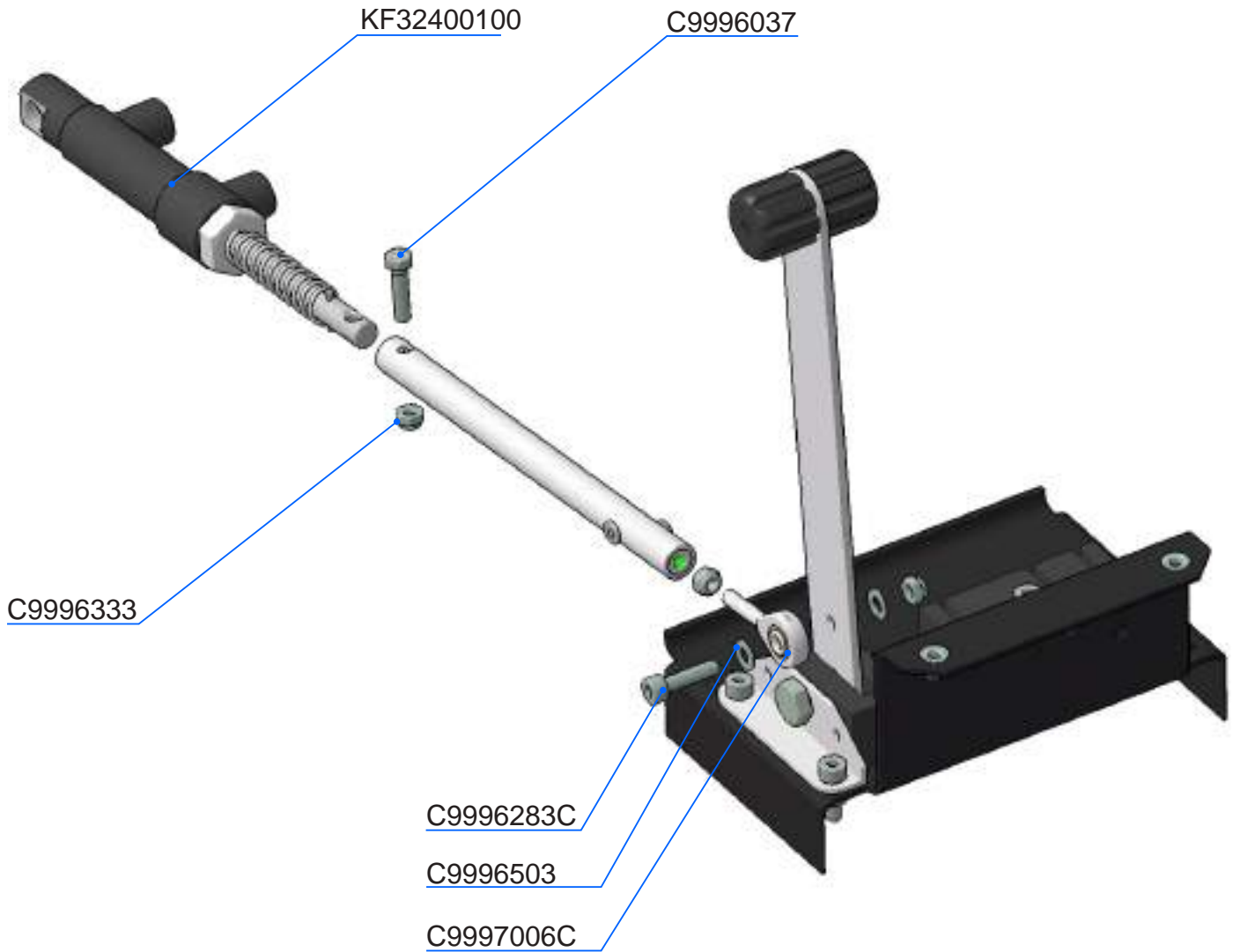
BACK UP FUEL LINE



Part Number	Description	Q-ty per ASSY	Unit
C9993183	Fuel line DIN 73379 E 5.5x11.5 black		
C9993189G	Fire protection hose, red		
C9997715G	Clamp 13 mm	v	pcs

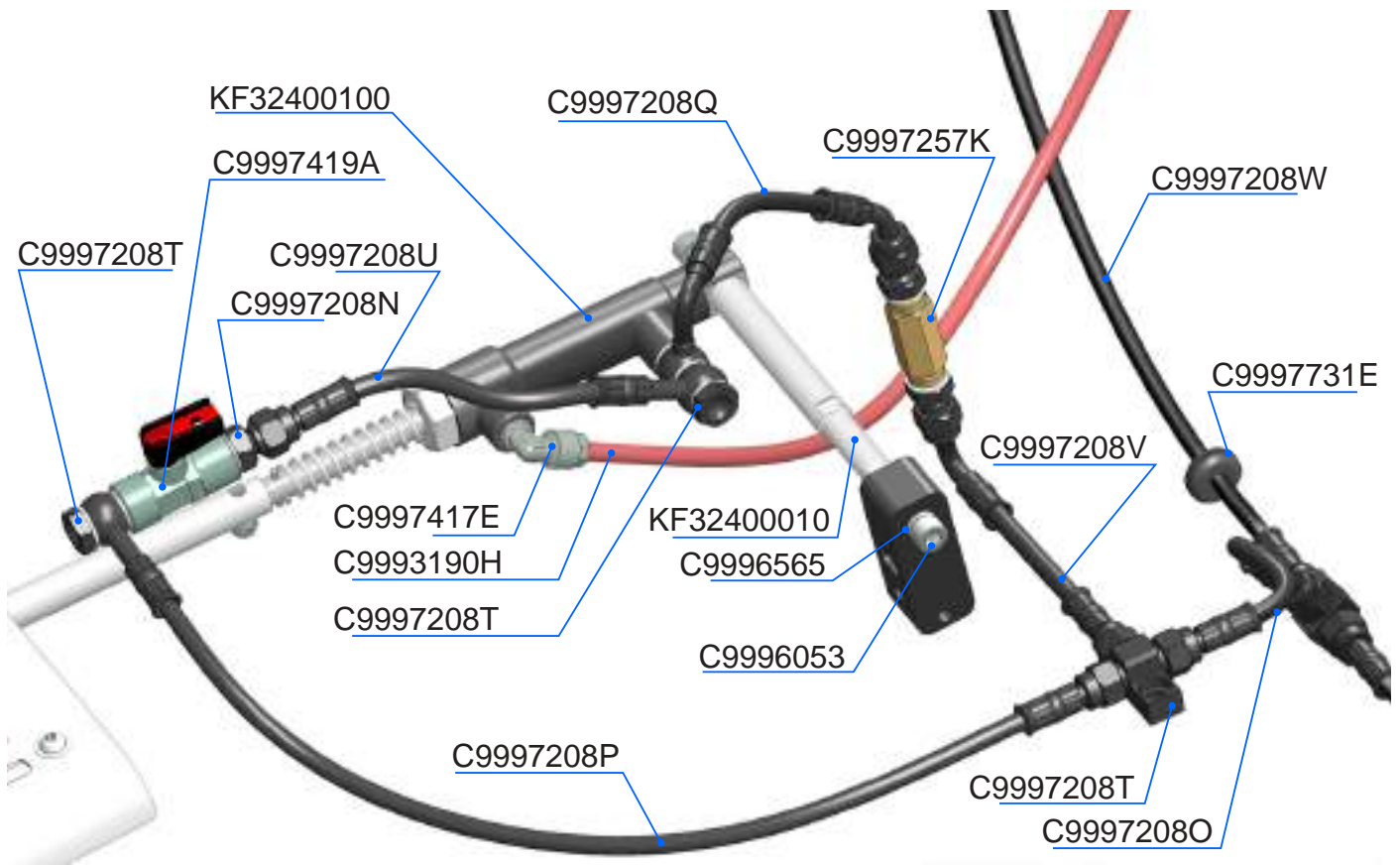
Brake System

MASTER BRAKE CYLINDER



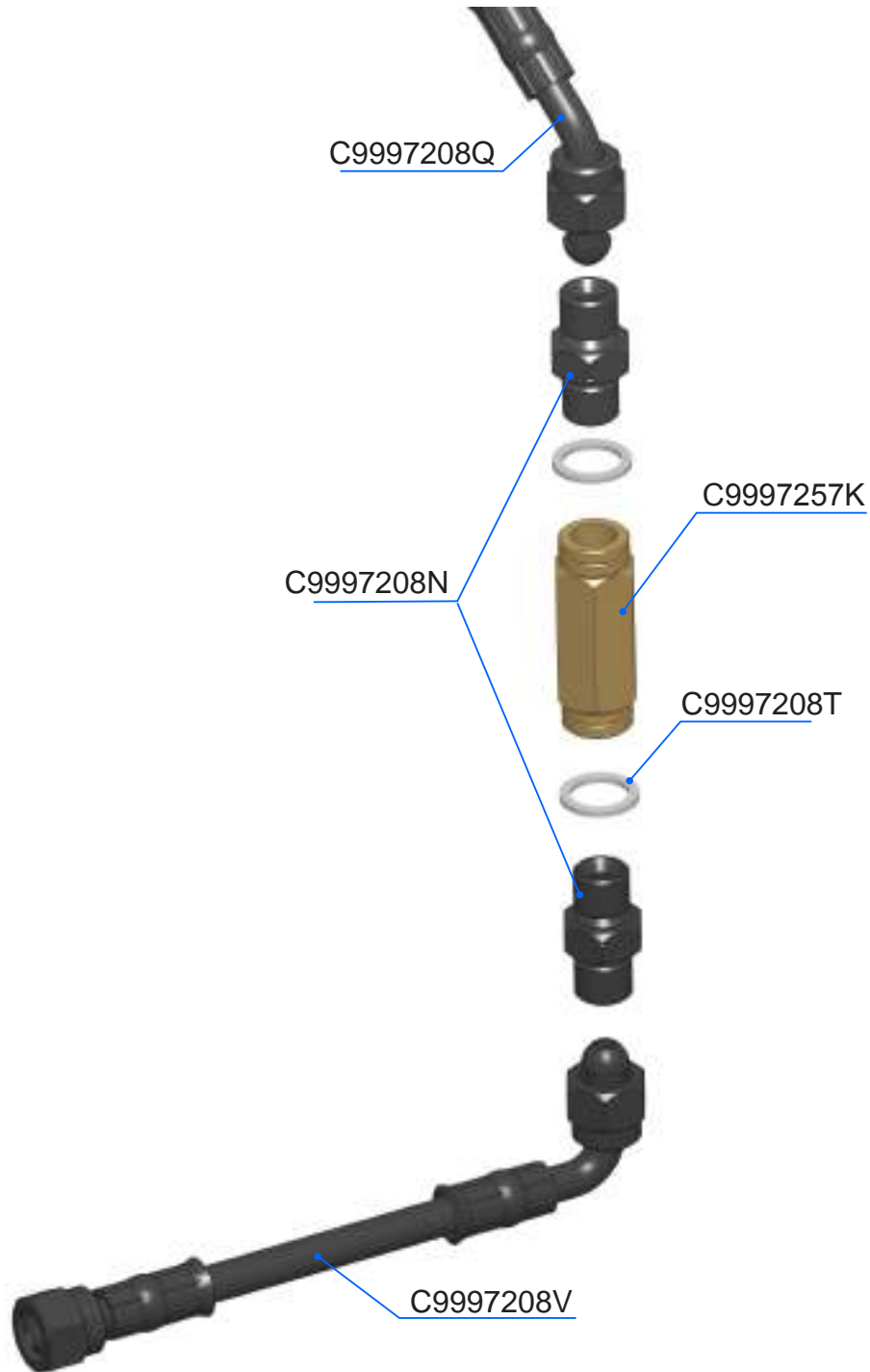
Part Number	Description	Q-ty per ASSY	Unit
KF32400100	Brake cylinder	1	pcs
C9996037	Bolt DIN 912 M5x20-8.8	1	pcs
C9996283C	Bolt DIN 933 M5x20-8.8	1	pcs
C9996333	Self-locking nut DIN 985-M5, regular	3	pcs
C9996503	Washer DIN 125 A2-5.3mm	2	pcs
C9997006C	Rod end bearing, ext. thread GA5	1	pcs

MASTER BRAKE CYLINDER & PIN INSTALLATION



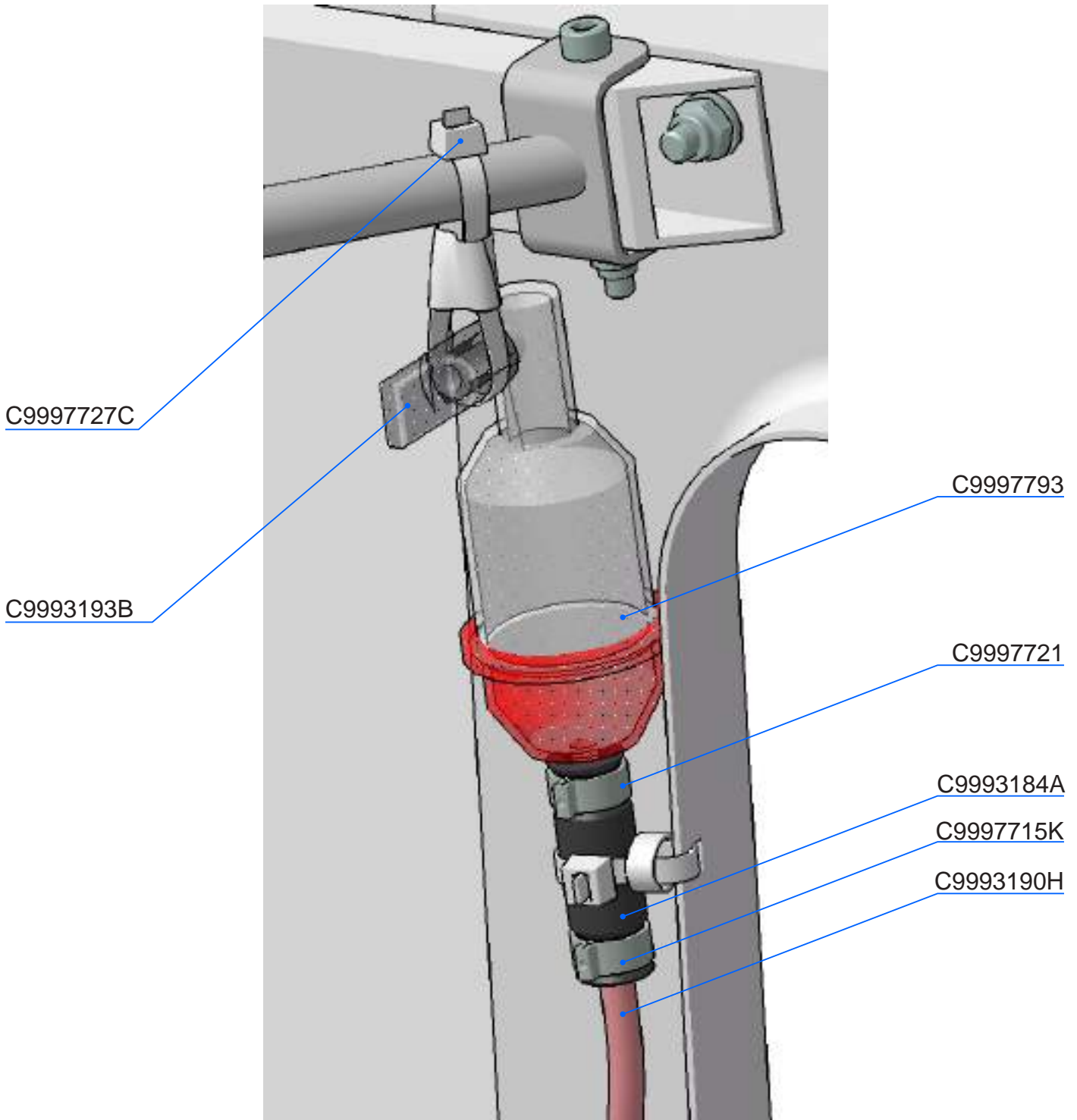
Part Number	Description	Q-ty per ASSY	Unit
KF32400010	Pin	1	pcs
KF32400100	Brake cylinder	1	pcs
C9997208N	Joint FT0307	3	pcs
C9997208O	Hose with fitting L= 250	1	pcs
C9997208P	Hose with fitting L= 525	1	pcs
C9997208Q	Hose with fitting L= 150	1	pcs
C9997208U	Hose with fitting L= 180	1	pcs
C9997208V	Hose with fittings L=110	1	pcs
C9997208W	Hose with fittings L=1000	2	pcs
C9997208T	T-connection	2	set
C9997208T	Plug fitting	1	set
C9997208T	Plug fitting	3	set
C9997257K	Check Valve ATR DN04 1/8" F-F	1	pcs
C9997417E	L-adapter, conic A-Wek-6/4-1/8-MSv	3	pcs
C9997419A	Fuel valve K-MI-561-1/8-22-II-MSV	1	pcs
C9993190H	PTFE tube 4.0x6.0mm	1	pcs
C9996053	Bolt DIN 912 M6X10-8.8	2	pcs
C999565	Washer DIN 9021-6.4mm VZ	2	pcs
C9997731E	Grommet 10 mm	2	pcs

CHECK VALVE, INSTALLATION



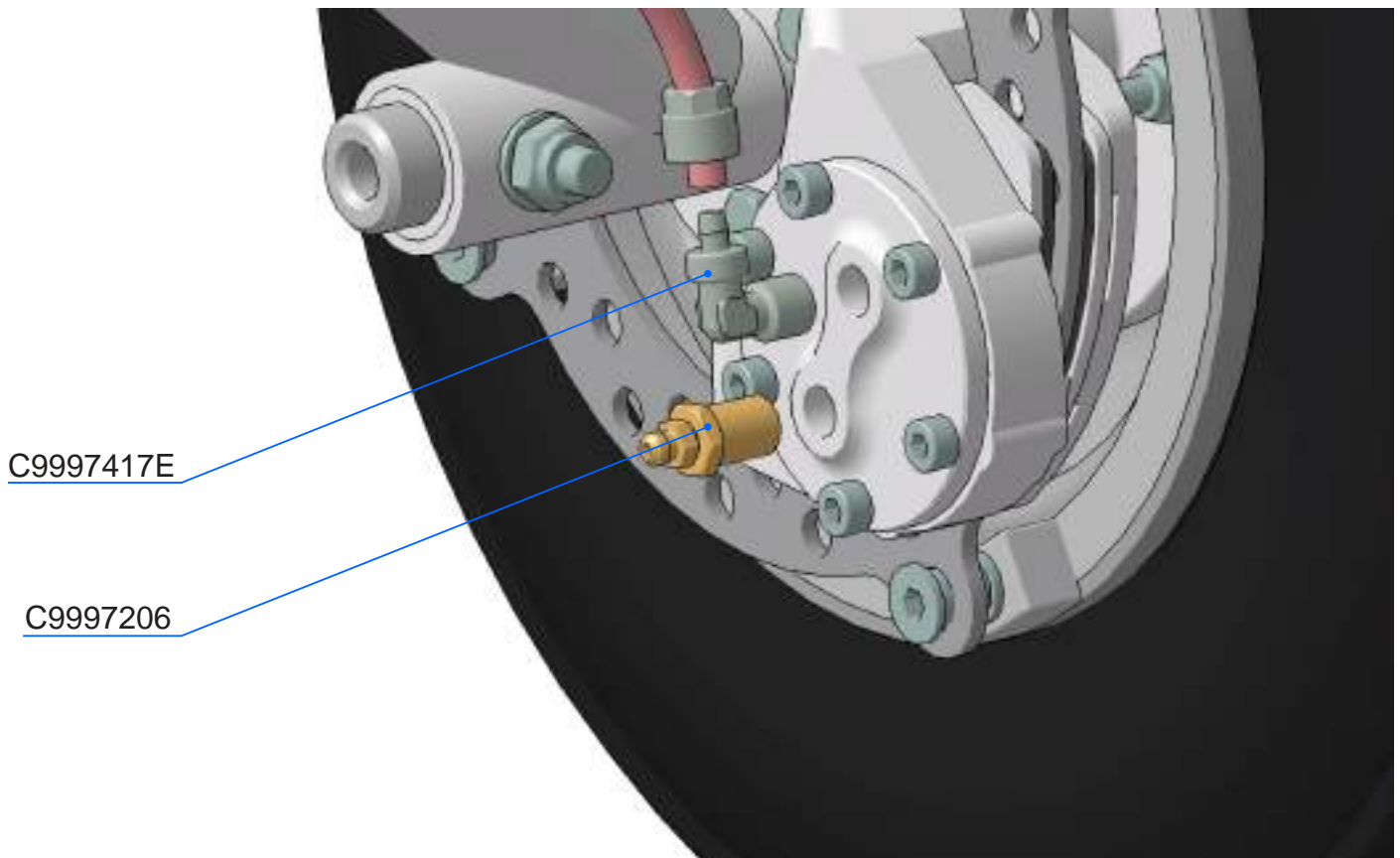
Part Number	Description	Q-ty per ASSY	Unit
C9997208N	Joint FT0307	3	pcs
C9997208Q	Hose with fitting L= 150	1	pcs
C9997208V	Hose with fittings L=110	1	pcs
C9997208T	Washer 10mm	11	set

C9997793 - FUEL FILTER INSTALLATION



Part Number	Description	Q-ty per ASSY	Unit
C9993184A	Fuel tube DIN 73379, 7.5x3.0	0.04	m
C9993190H	PTFE tube 6x1	1	m
C9997715K	Disposable clamp 15.5 mm	1	pcs
C9997721	Disposable clamp 14.5 mm	1	pcs
C9997793	Fuel Filter WK 31/5	1	pcs
C9997727C	TY-wraps CV-100 white	2	pcs
C9993193B	PVC hose 8x2mm	0.02	m

BRANCH INSTALLATION



Part Number	Description	Q-ty per ASSY	Unit
C9997206	Caliper drain valve	1	pcs
C9997417E	Fuel L-adapter A-Wek-6/4-1/8-MSv	4	pcs

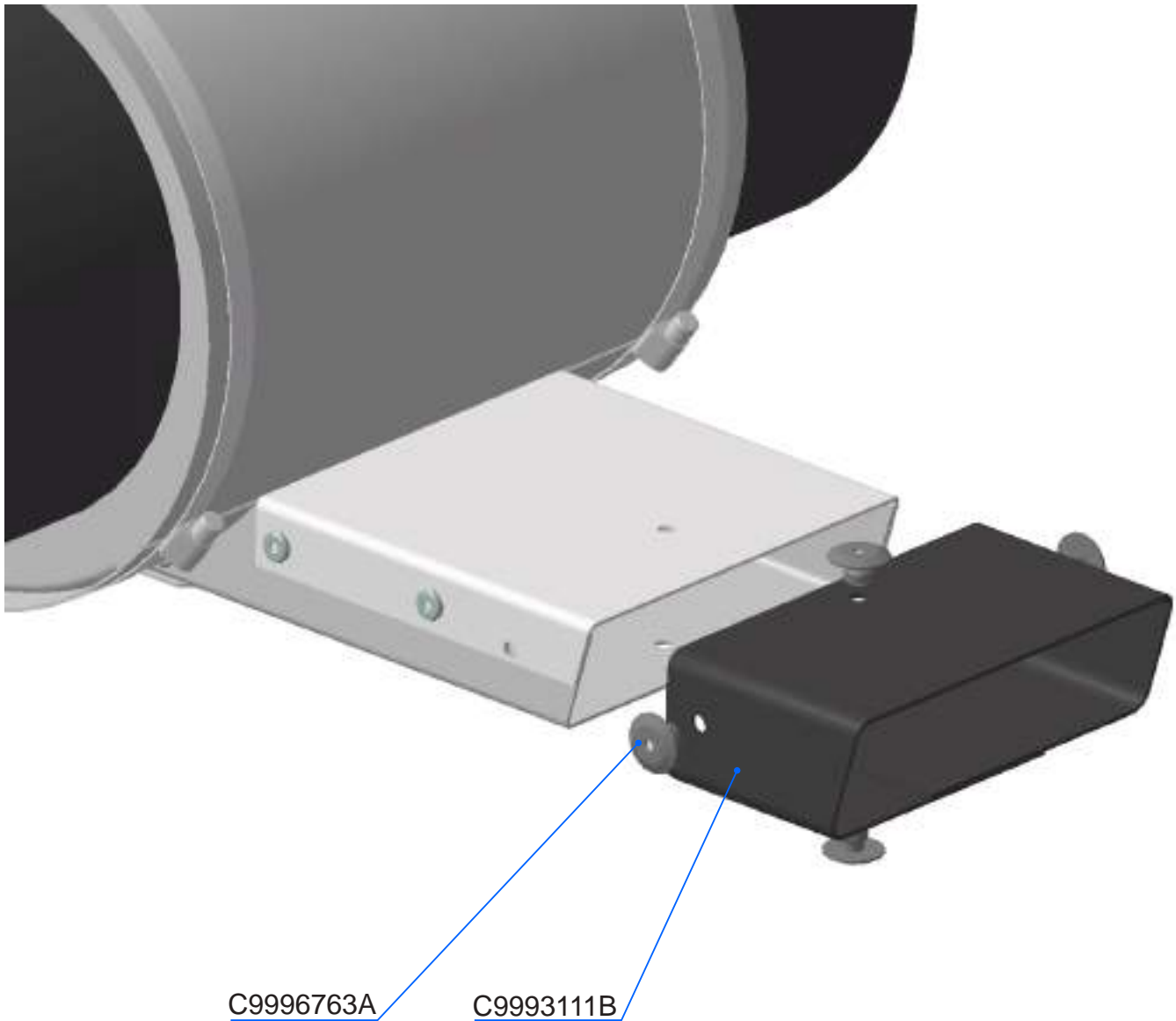
Heating & Ventilation System

AIR HEATER



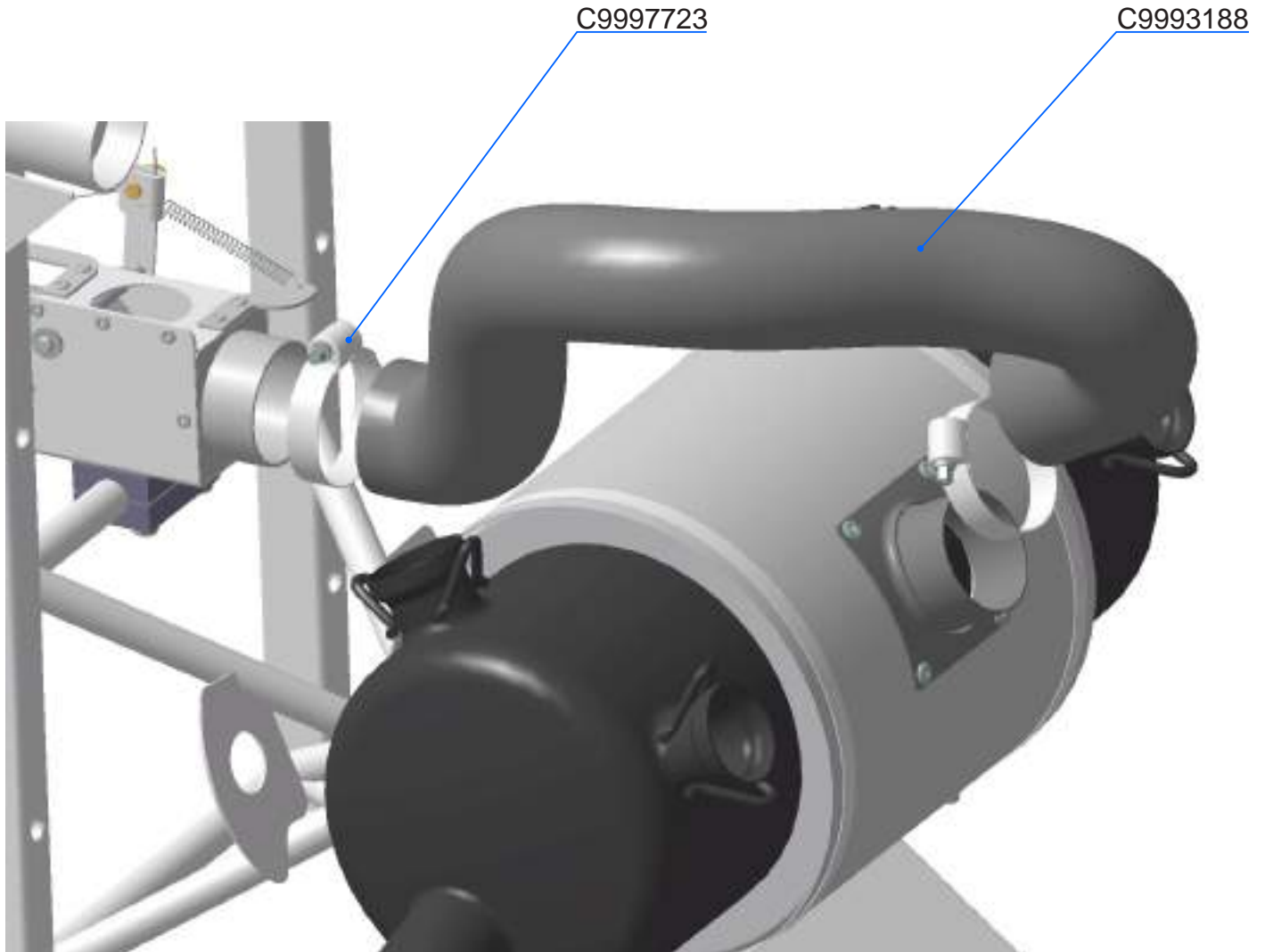
Part Number	Description	Q-ty per ASSY	Unit
KF78000500	Muffler with exhaust pipe	1	pcs
KF21400120	Skin, Air Heater, Assembling	1	pcs
KF21400103	Fresh-air intake	1	pcs
KF21400104	Cover plate	1	pcs
C9997726	Turnbuckle	2	pcs
C9997710A	Clamp band 8mm	1.2	m
C9996650	Stainl. steel rivet A2 4x7.5	13	pcs

C9993111B - RUBBER



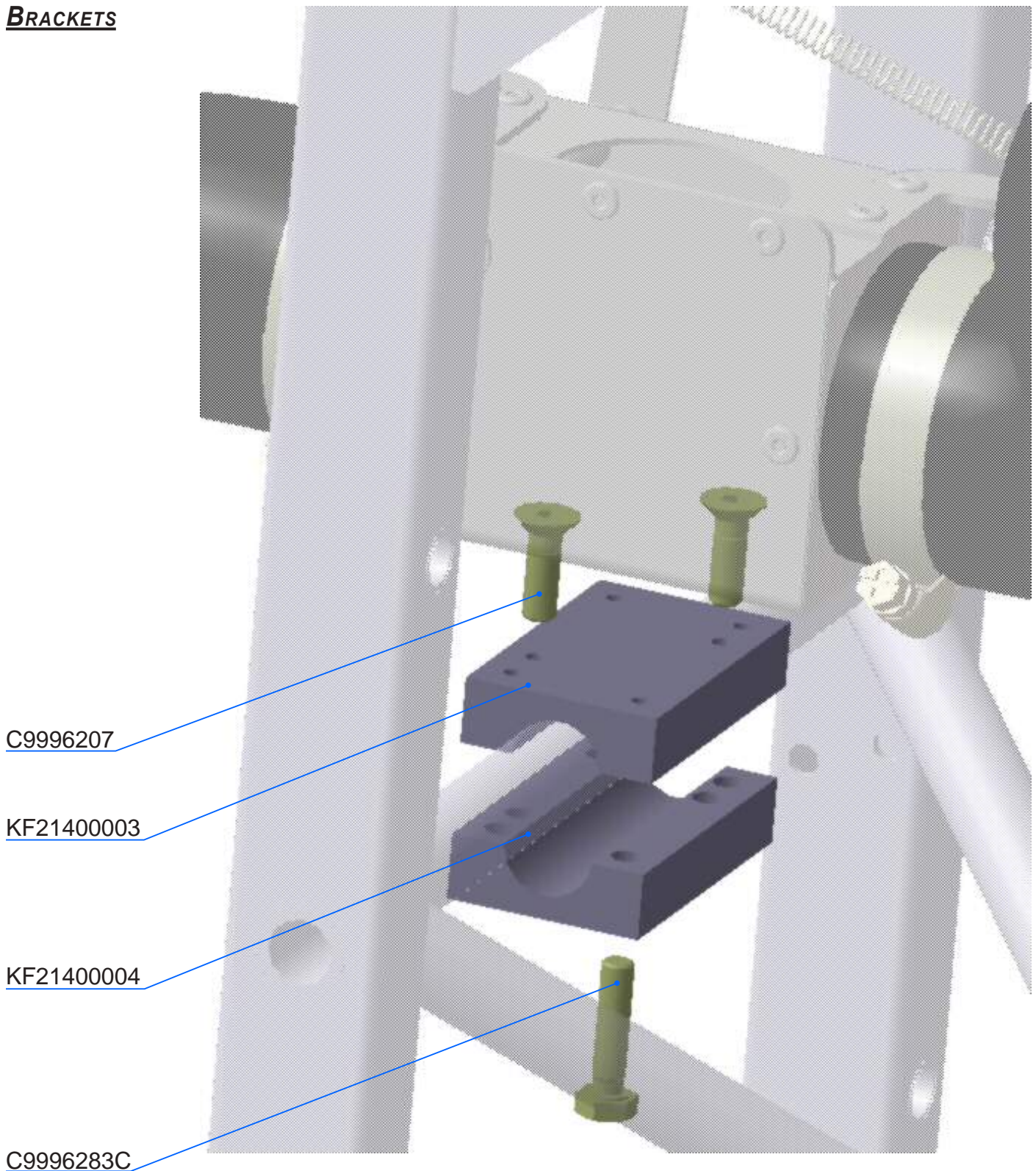
Part Number	Description	Q-ty per ASSY	Unit
C9993111B	Perbunan gasoline-proof rubber NBR 80 Gas, 2mm	0.05	sqm
C9996763A	Alu / steel rivet 4.8x10.0 Art.-Nr.915 904 864	4	pcs

C9993188 - AERODUCT TUBE CEET-7



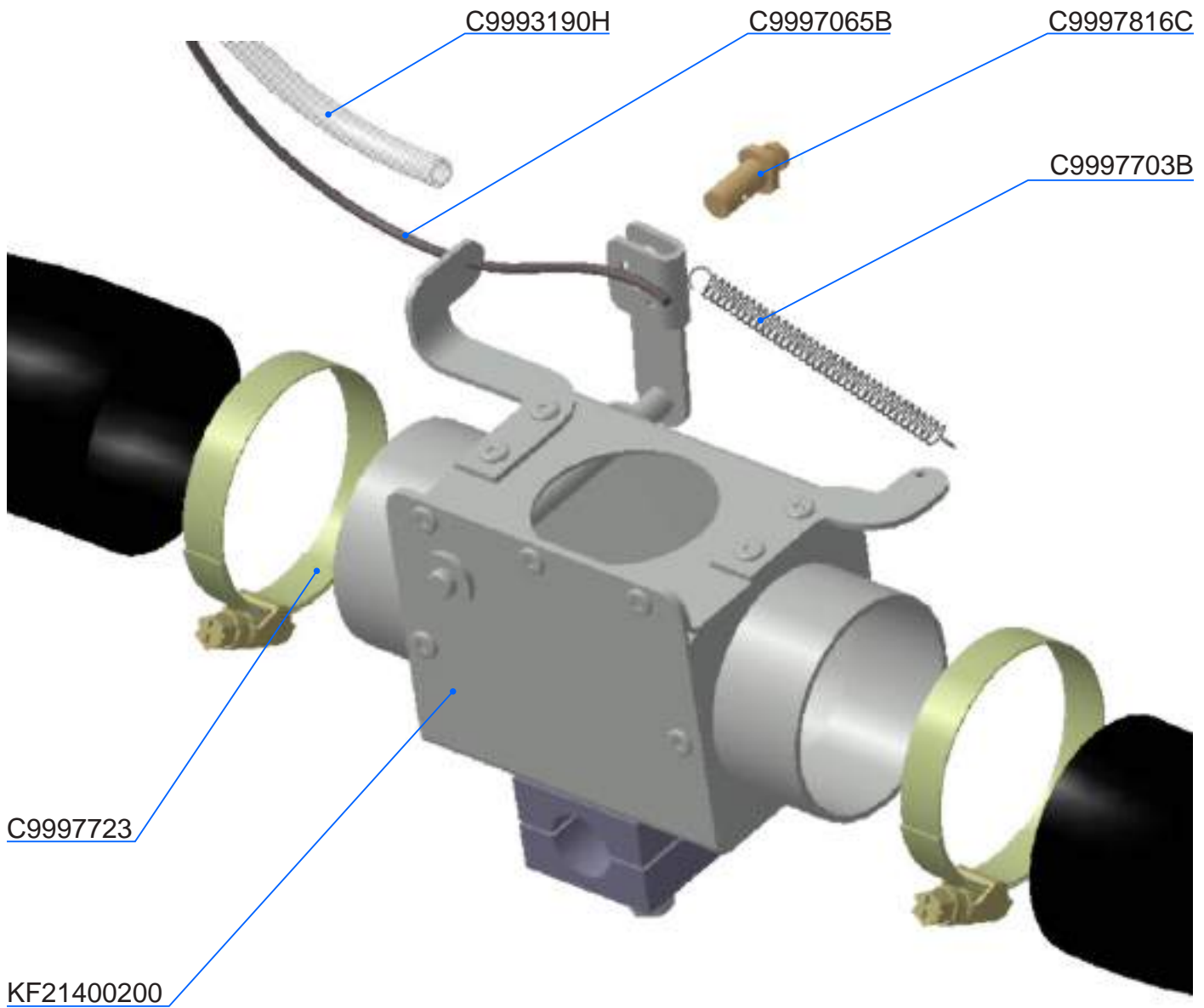
Part Number	Description	Q-ty per ASSY	Unit
C9993188	AERODUCT tube CEET-7 1-3/4 ID	0.65	m
C9997723	Clamp 40-60	2	pcs

BRACKETS



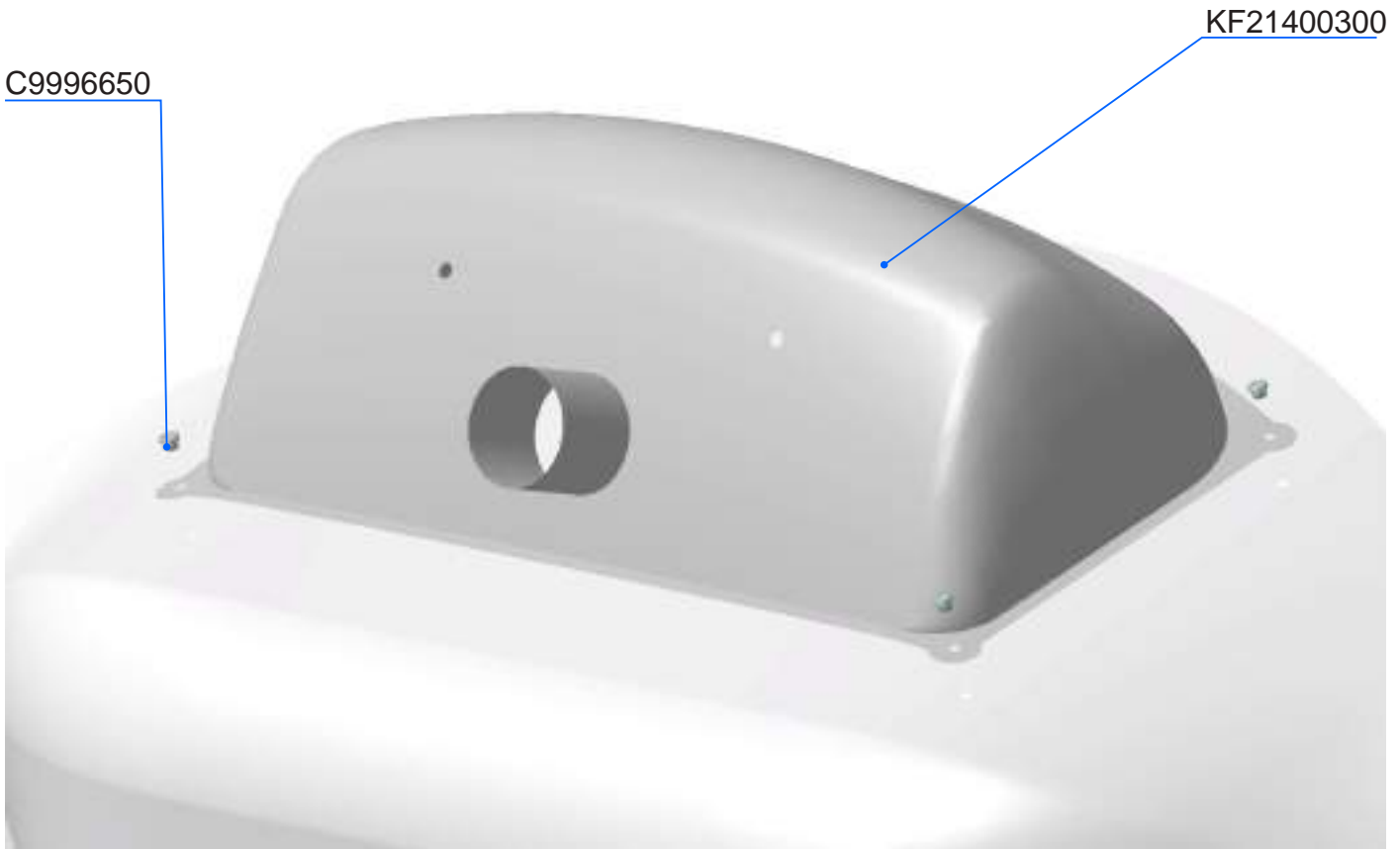
Part Number	Description	Q-ty per ASSY	Unit
KF21400003	Bracket	1	pcs
KF21400004	Clamp	1	pcs
C9996207	Bolt DIN 7991 M5x16-8.8	2	pcs
C9996283C	Bolt DIN 933 M5x20-8.8	4	pcs

KF21400200 - THERMIC CHOKE CONNECTION



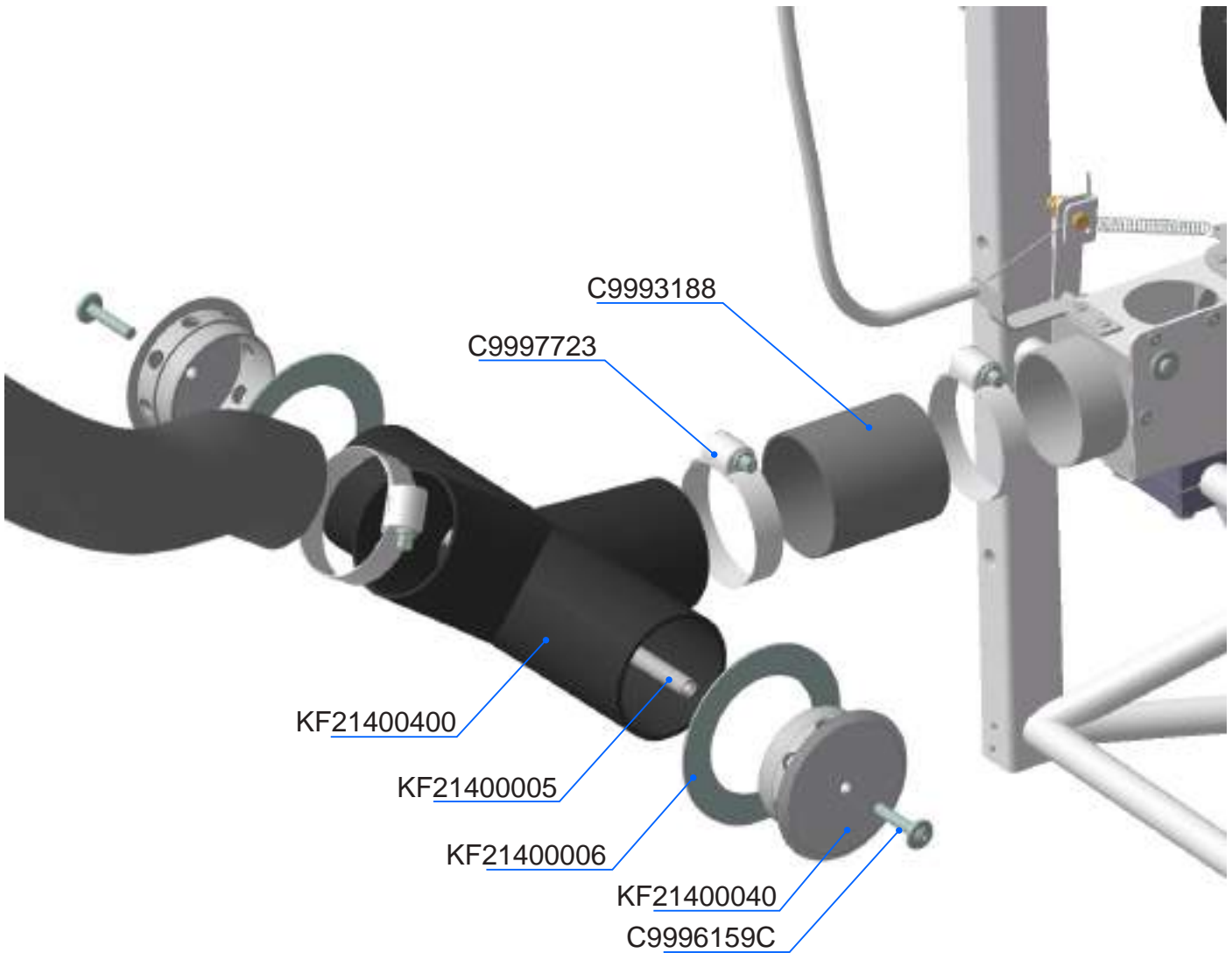
Part Number	Description	Q-ty per ASSY	Unit
KF21400200	Thermic choke	1	pcs
C9993190H	PTFE tube 6x1	0.65	m
C9997065B	Steel rope 7x7 1 mm	0.75	m
C9997703B	Spring 0,5x5,0x25,0	1	pcs
C9997723	Clamp 40-60	1	pcs
C9997816C	Cable stop 1806-Z ni	1	pcs

KF21400300 - AIR MIXER



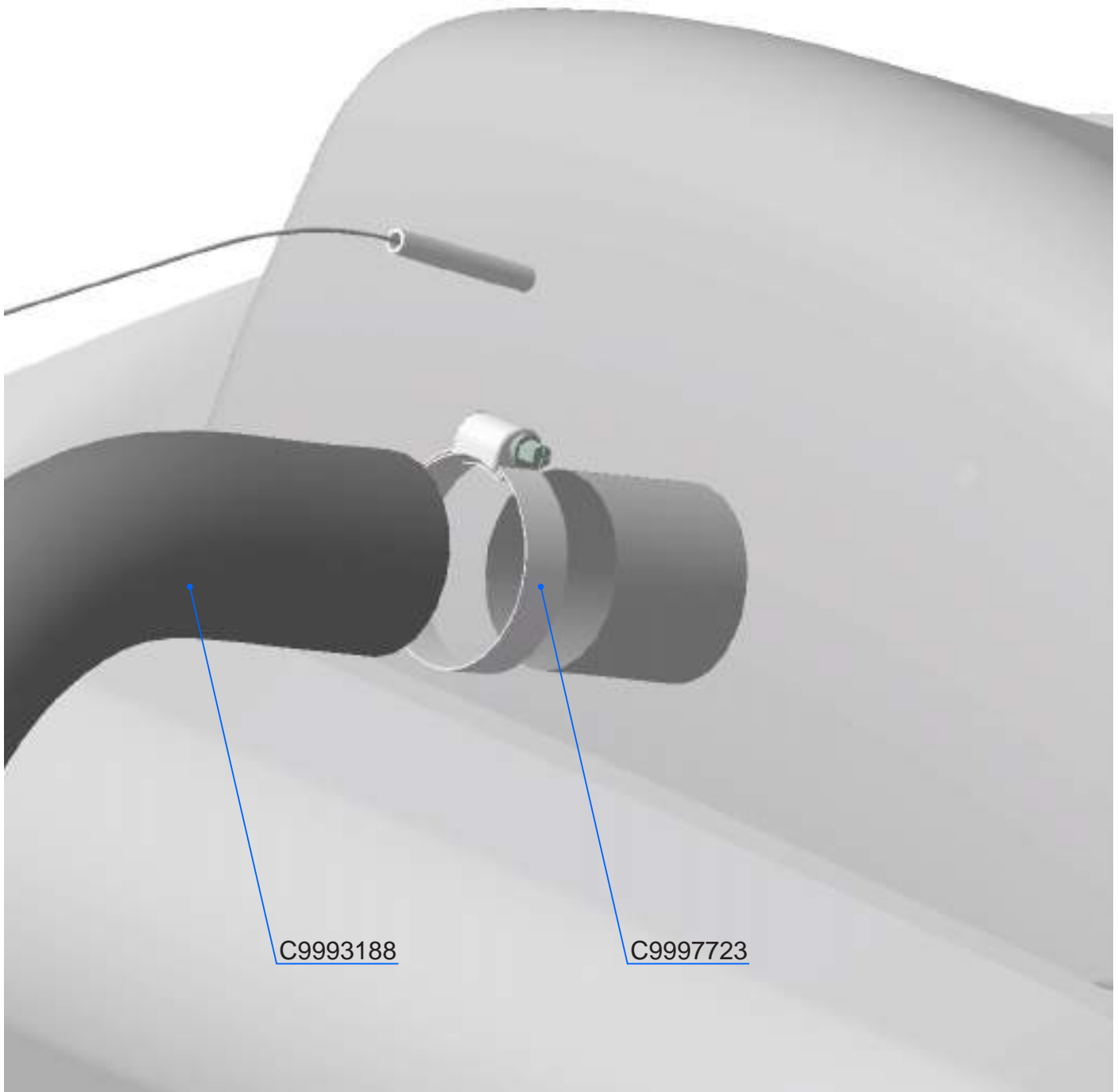
Part Number	Description	Q-ty per ASSY	Unit
KF21400300	Air mixer	1	pcs
C9996650	Stainl. steel rivet A2 4x7.5	4	pcs

AIR TERMINAL UNIT



Part Number	Description	Q-ty per ASSY	Unit
KF21400005	Pin	1	pcs
KF21400006	Washer	2	pcs
KF21400040	Vent, Assembling	2	pcs
KF21400400	Air Terminal Unit	1	pcs
C9996159C	Screw DIN 7380 10.9 M4x20	2	pcs
C9997723	Clamp 40-60	2	pcs

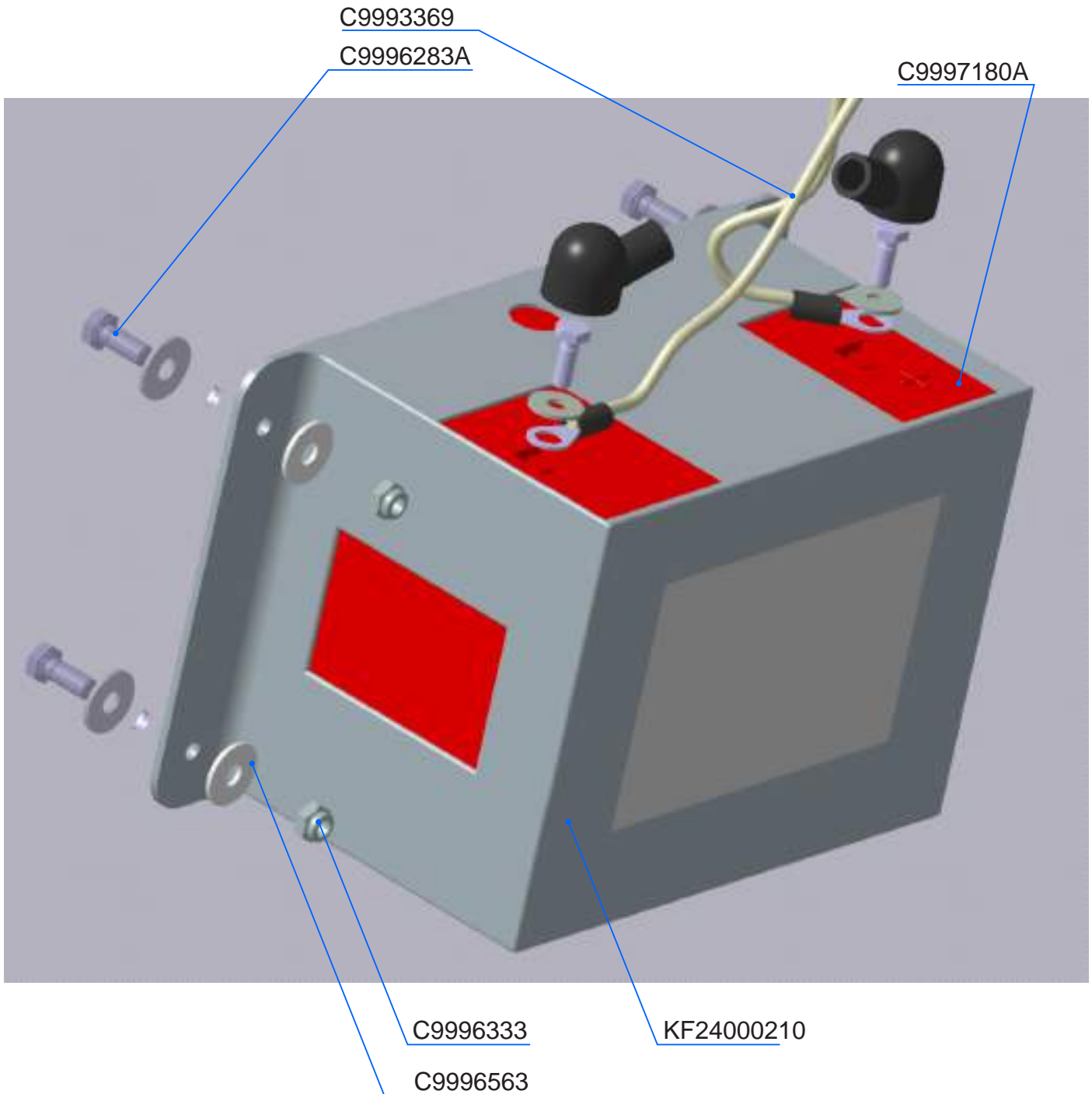
C9993188 - HOSE NW 50MM



Part Number	Description	Q-ty per ASSY	Unit
C9993188	AERODUCT tube CEET-7 1-3/4 ID	0.65	m
C9997723	Clamp 40-60	2	pcs

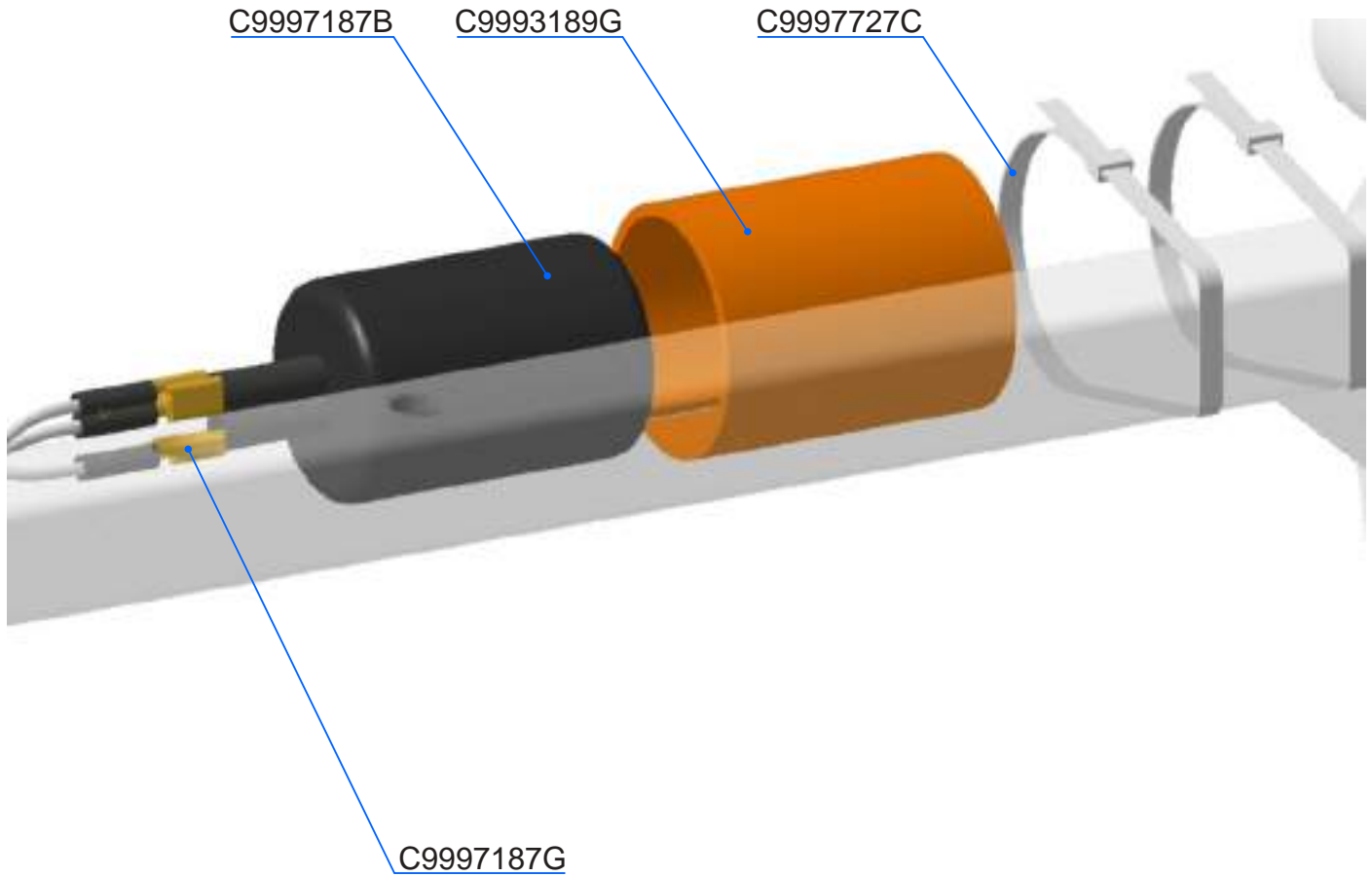
Electric System

BATTERY INSTALLATION



Part Number	Description	Q-ty per ASSY	Unit
KF24000210	Bracket, Battery	1	pcs
C9996333	Self-locking nut DIN 985-M5, regular	4	pcs
C9996563	Washer DIN 9021-5.3mm VZ	8	pcs
C9997180A	Battery Powersafe SBS 8	1	pcs
C9996283A	Bolt DIN 933 M5x12-8.8	4	pcs
C9993369	Electrical wire AWG08	0,5	m

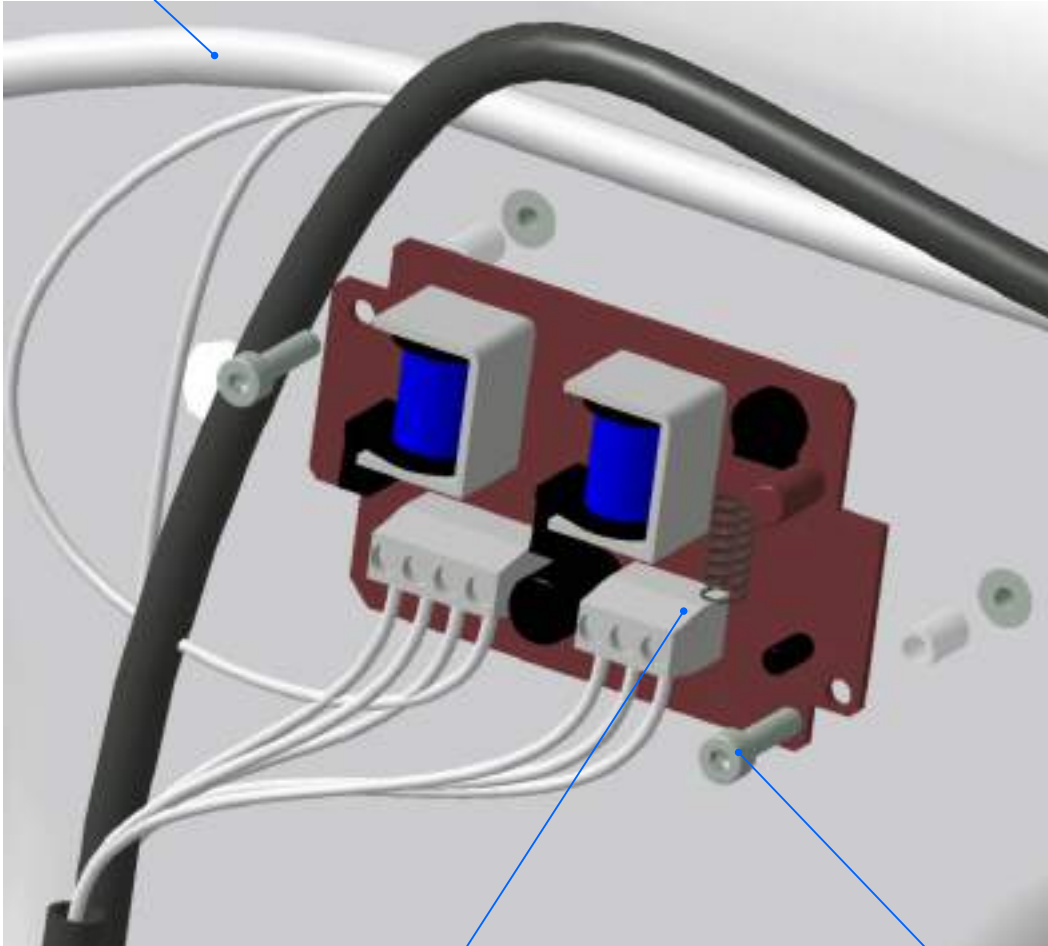
C9997187B - CAPACITOR INSTALLATION



Part Number	Description	Q-ty per ASSY	Unit
C9993189G	Fire protection hose, red	0.06	m
C9997187B	Capacitor 22000-25V	1	pcs
C9997187G	Flat plug 6.3 mm 1-2.5 sqmm	2	pcs
C9997727C	TY-wraps CV-100 white	2	pcs

C9997788A - CONTROL PANEL

C9993190H

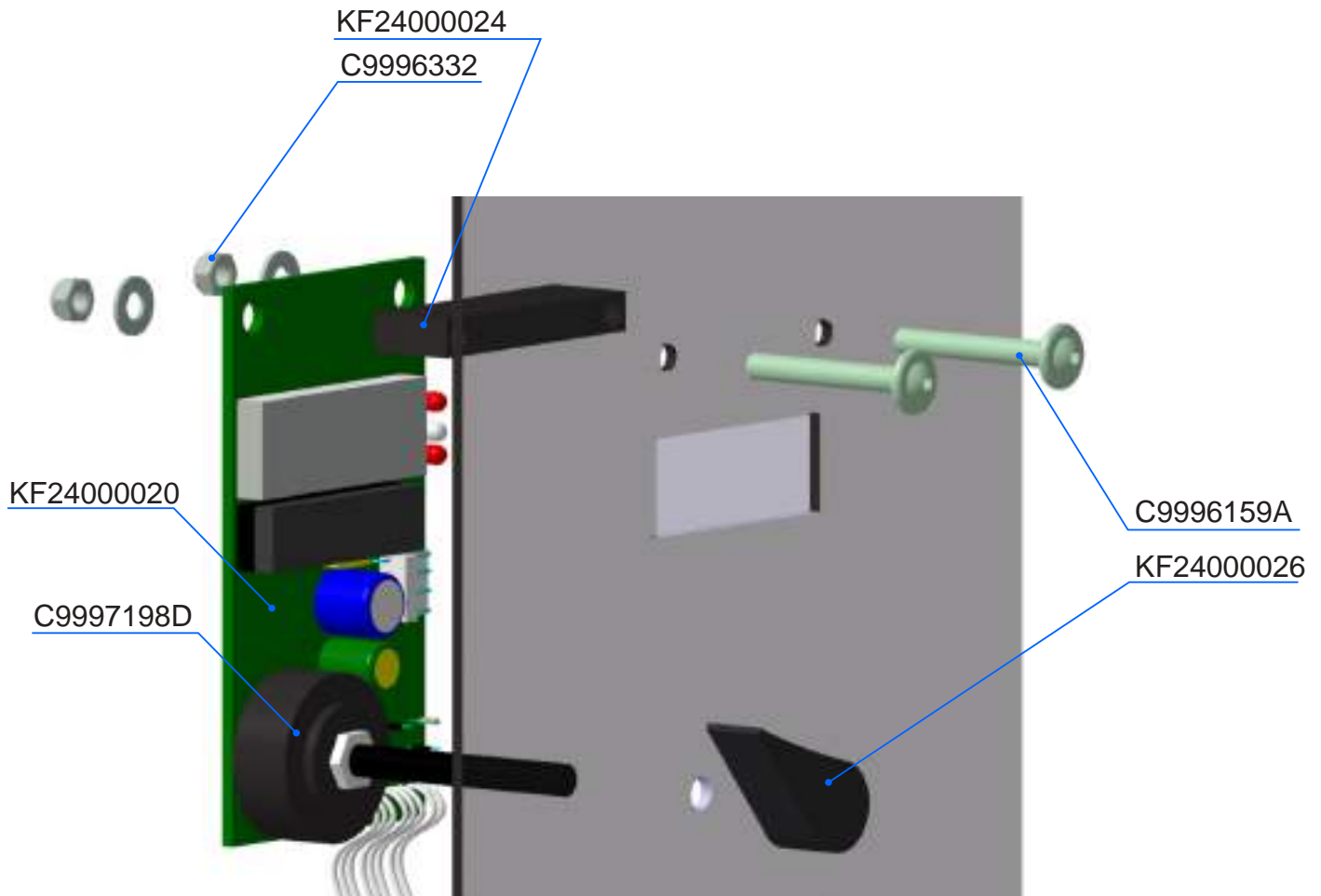


C9997788D

C9996025

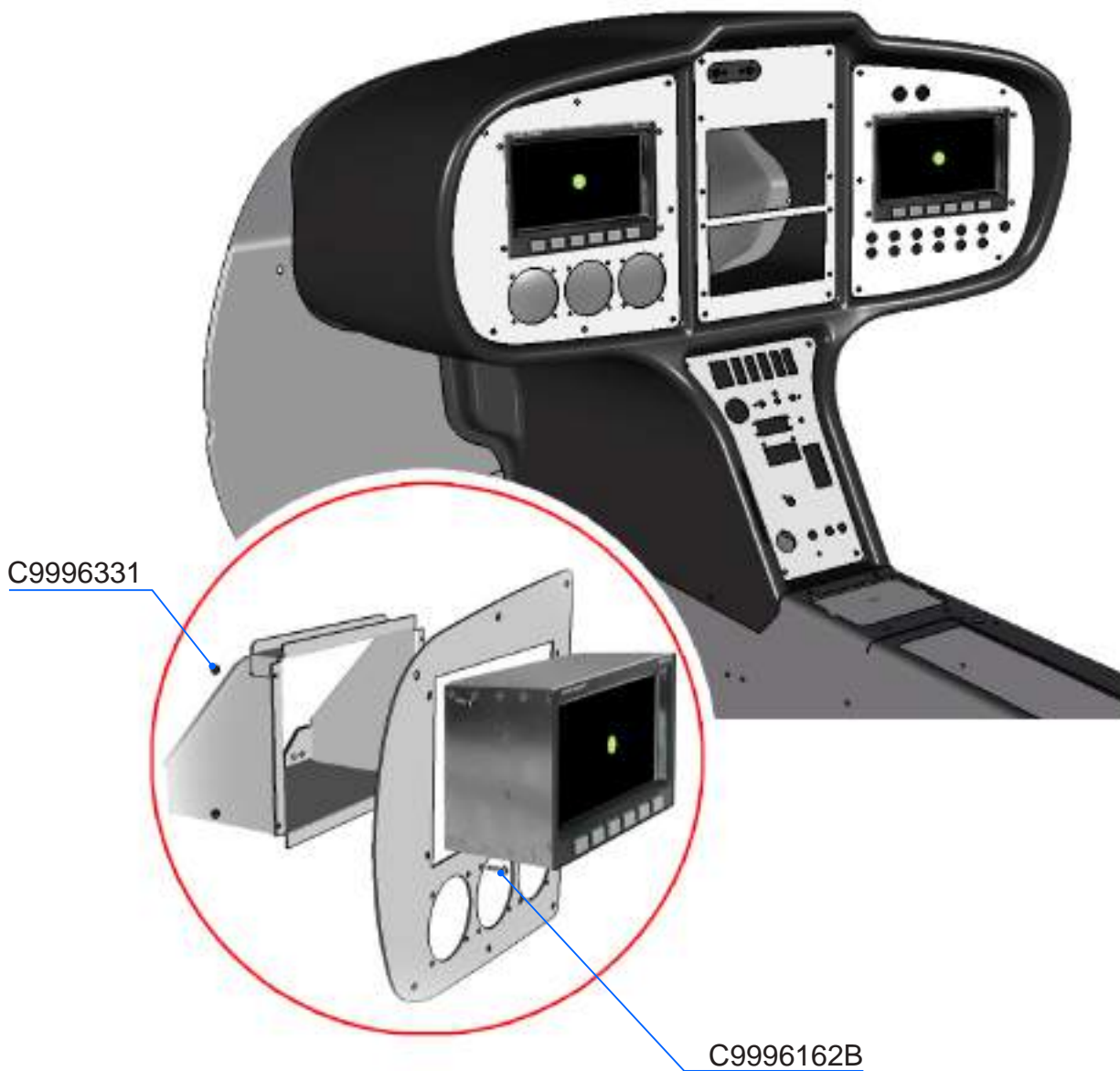
Part Number	Description	Q-ty per ASSY	Unit
C9993190H	PTFE tube 6x1	0.2	m
C9996025	Bolt DIN 912 M4x16-8.8	2	pcs
C9997788D	Control panel 12V, 10A	1	pcs

DISCRETE FLAP CONTROL, ASSEMBLING



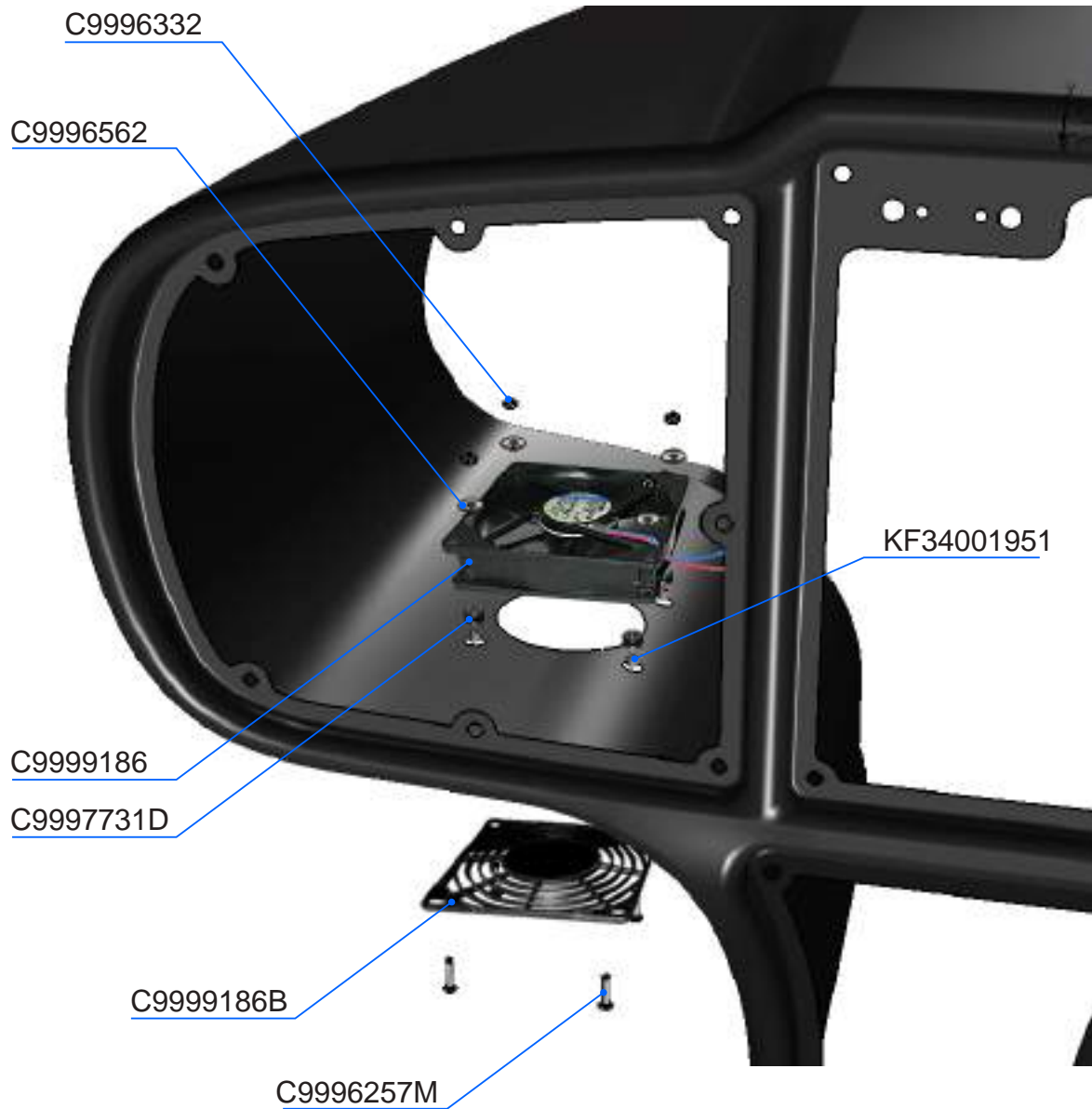
Part Number	Description	Q-ty per ASSY	Unit
KF24000020	Discrete Flap Control	1	pcs
KF24000024	Suport	1	pcs
KF24000026	Grip	1	pcs
C9996159A	Bolt DIN 7380 M4x30 VZ	2	pcs
C9996332	Self-locking nut DIN 985-M4, regular	2	pcs
C9997198D	Switch 1x12	1	pcs

MOUNTING DYNON AND SENSORS



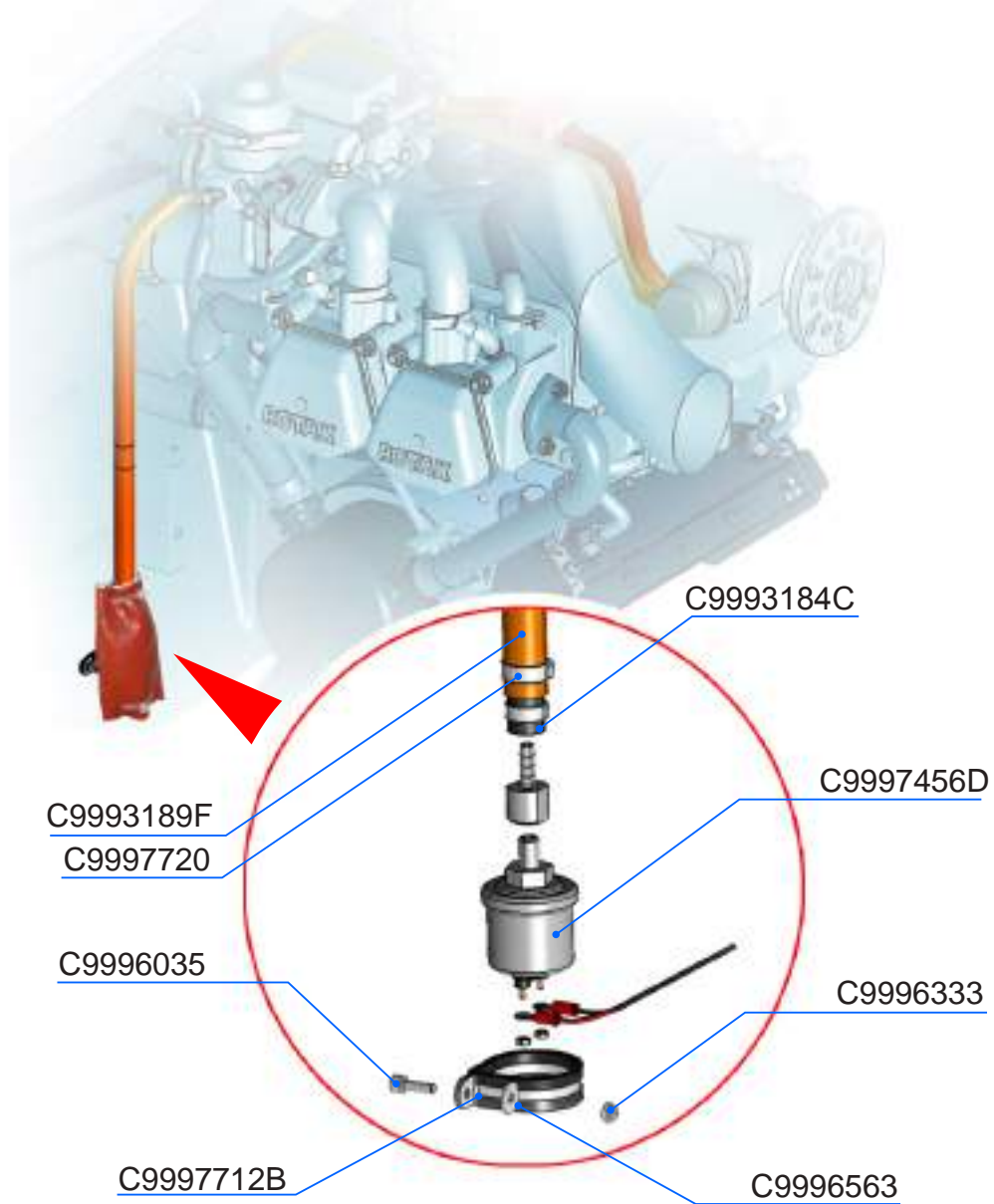
Part Number	Description	Q-ty per ASSY	Unit
C9996162B	Bolt DIN 7380 M3x10	8	pcs
C9996331	Self-locking nut DIN 985-M3, regular	8	pcs

FANS, DYNON, MOUNTING



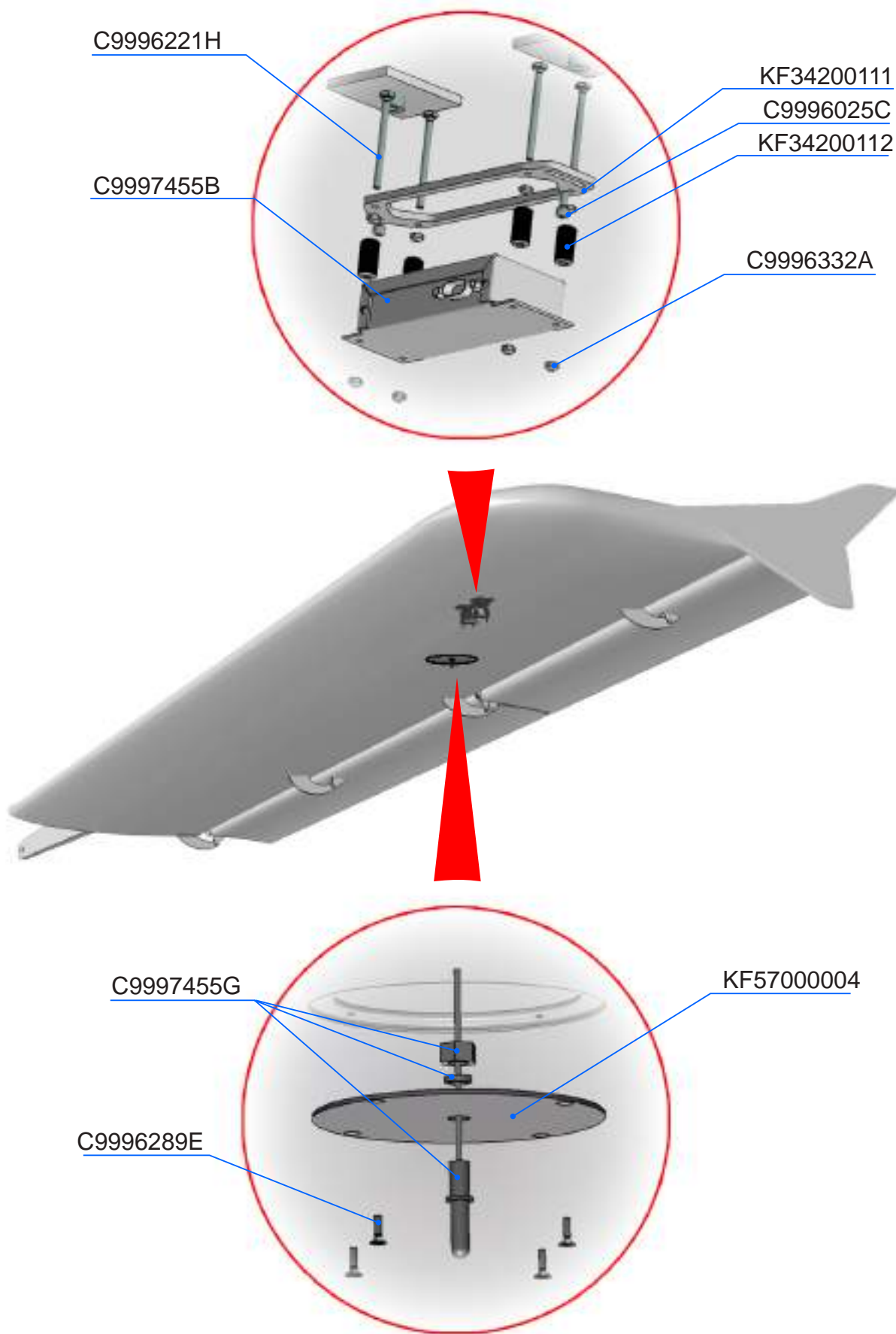
Part Number	Description	Q-ty per ASSY	Unit
KF34001951	Bush	8	pcs
C9996257M	Bolt M4x20 DIN 7380	8	pcs
C9996332	Self-locking nut DIN 985-M4, regular	8	pcs
C9996562	Washer DIN 9021-4.3 mm VZ	32	pcs
C9997731D	Grommet 6 mm	8	pcs
C9999186	Fan DC 3412 NHH-379	2	pcs
C9999186B	Protection grate LZ23-2	2	pcs

DAMPING, FUEL PRESSURE SENSOR, MOUNTING



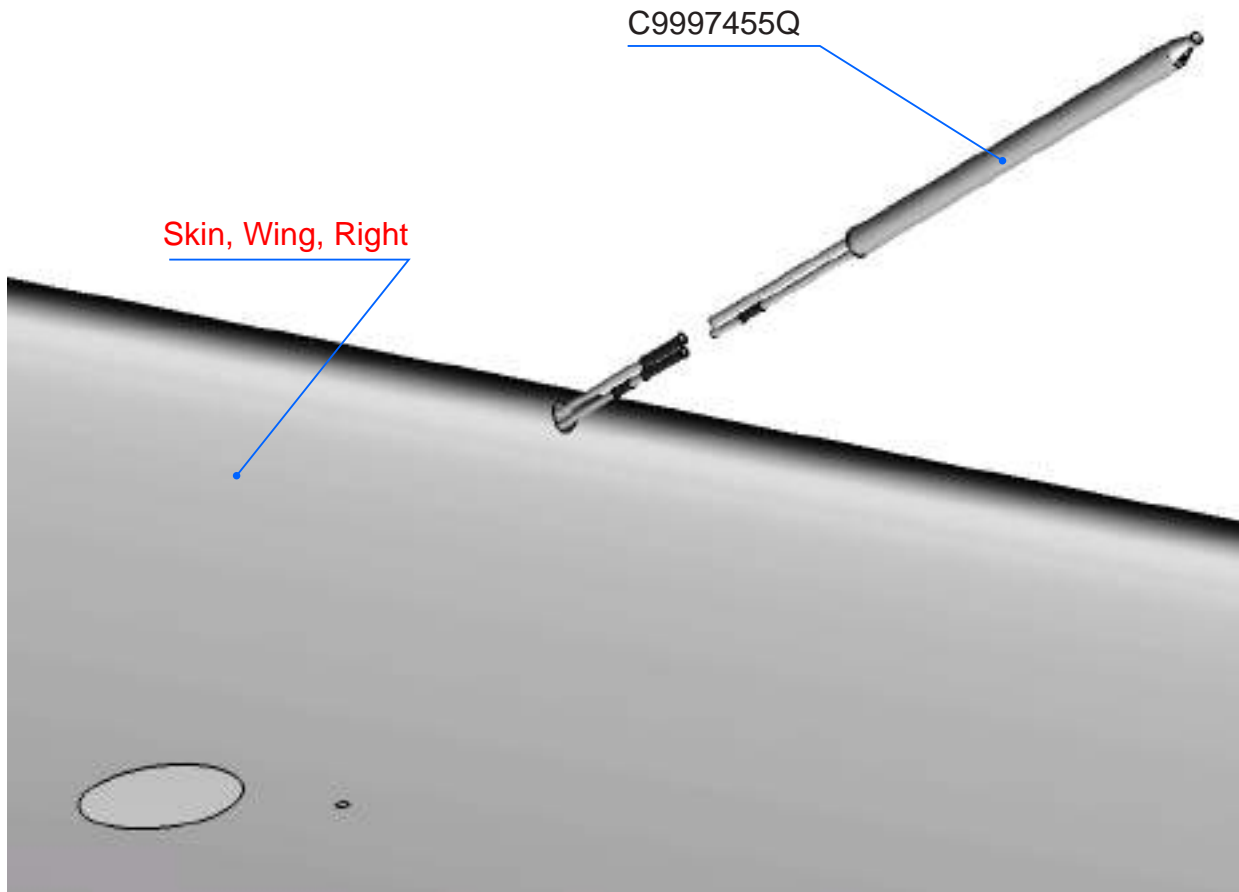
Part Number	Description	Q-ty per ASSY	Unit
C9996035	Bolt DIN 912 M5x16-8.8	1	pcs
C9993184C	Fuel tube 5.5mm	0.9	m
C9993189F	624 & AE102-14 Firesleeves	0.9	m
C9993189H	Fire protection hose, 47,75mm AE 102-30	0.20	m
C9996333	Self-locking nut DIN 985-M5, regular	1	pcs
C9996563	Washer DIN 9021-5.3mm VZ	1	pcs
C9997456D	Fuel pressure sensor	1	pcs
C9997712B	Clamp 40mm	1	pcs
C9997720	Clamp	6	pcs

SENSOR OF COMPASS AND OAT SENSOR FOR DYNON, INSTALLATION



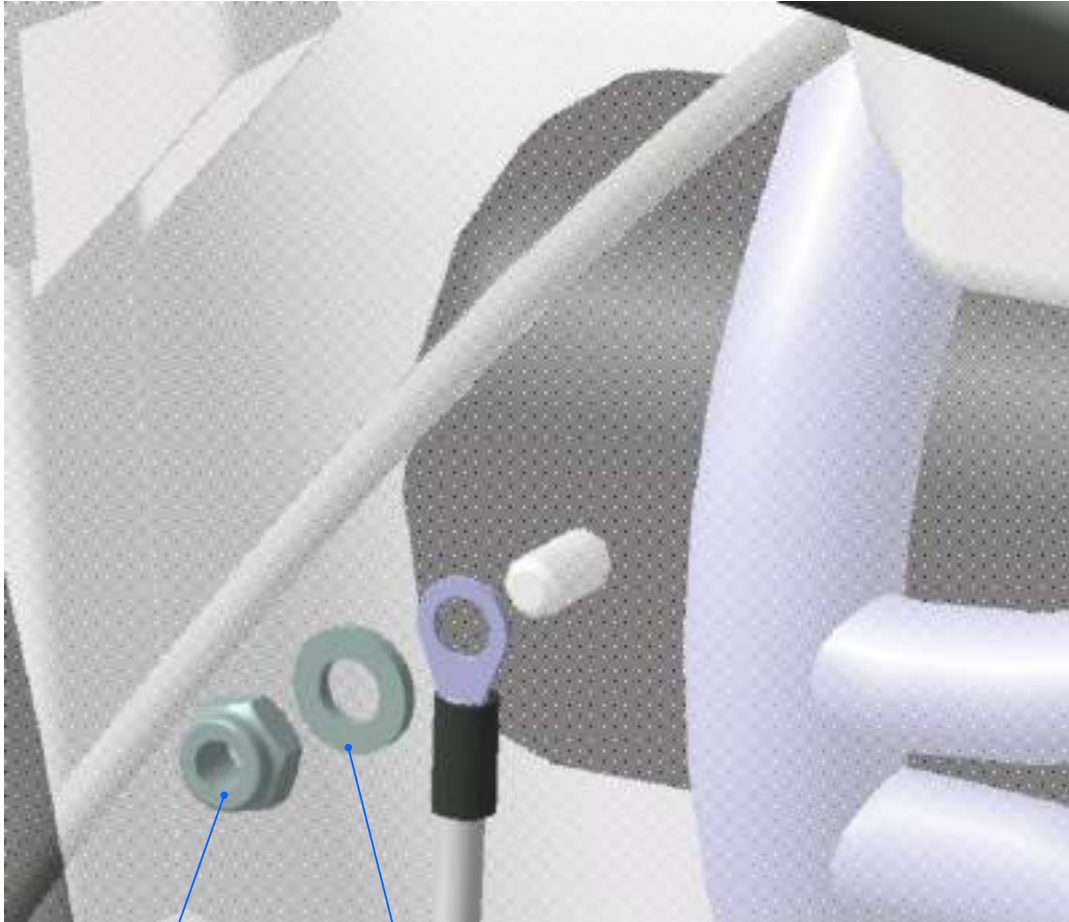
Part Number	Description	Q-ty per ASSY	Unit
KF57000004	Cap	1	pcs
KF34200111	Bracket, Compass EDC-D10A	1	pcs
KF34200112	Nut M4	4	pcs
C9996025C	Bolt DIN 912 M4x10 A2	2	pcs
C9996221H	Bolt DIN933-M4x50, A2	4	pcs
C9996289E	Screw DIN 7982-3.5x19	4	pcs
C9996332A	Self-locking nut DIN 985-M4, regular	8	pcs
C9997455B	EDC-D10A-Remote Compass	1	pcs
C9997455G	OAT Sensor	1	pcs

INSTALLATION PITOT TUBE



Part Number	Description	Q-ty per ASSY	Unit
C9997455Q	Unheated AOA Pitot-Boom Mount	1	pcs

GENERATOR

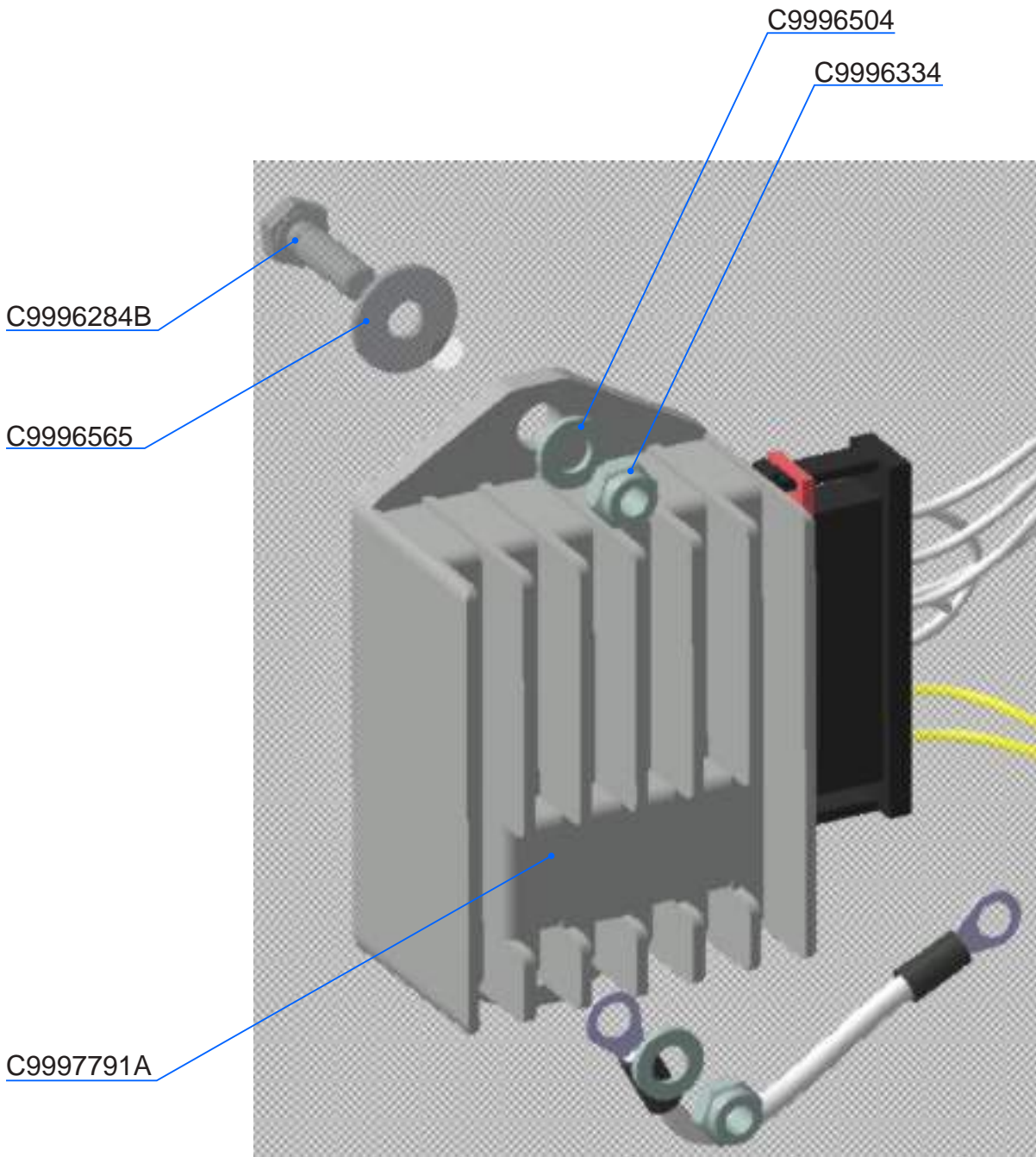


C9996334

C9996504

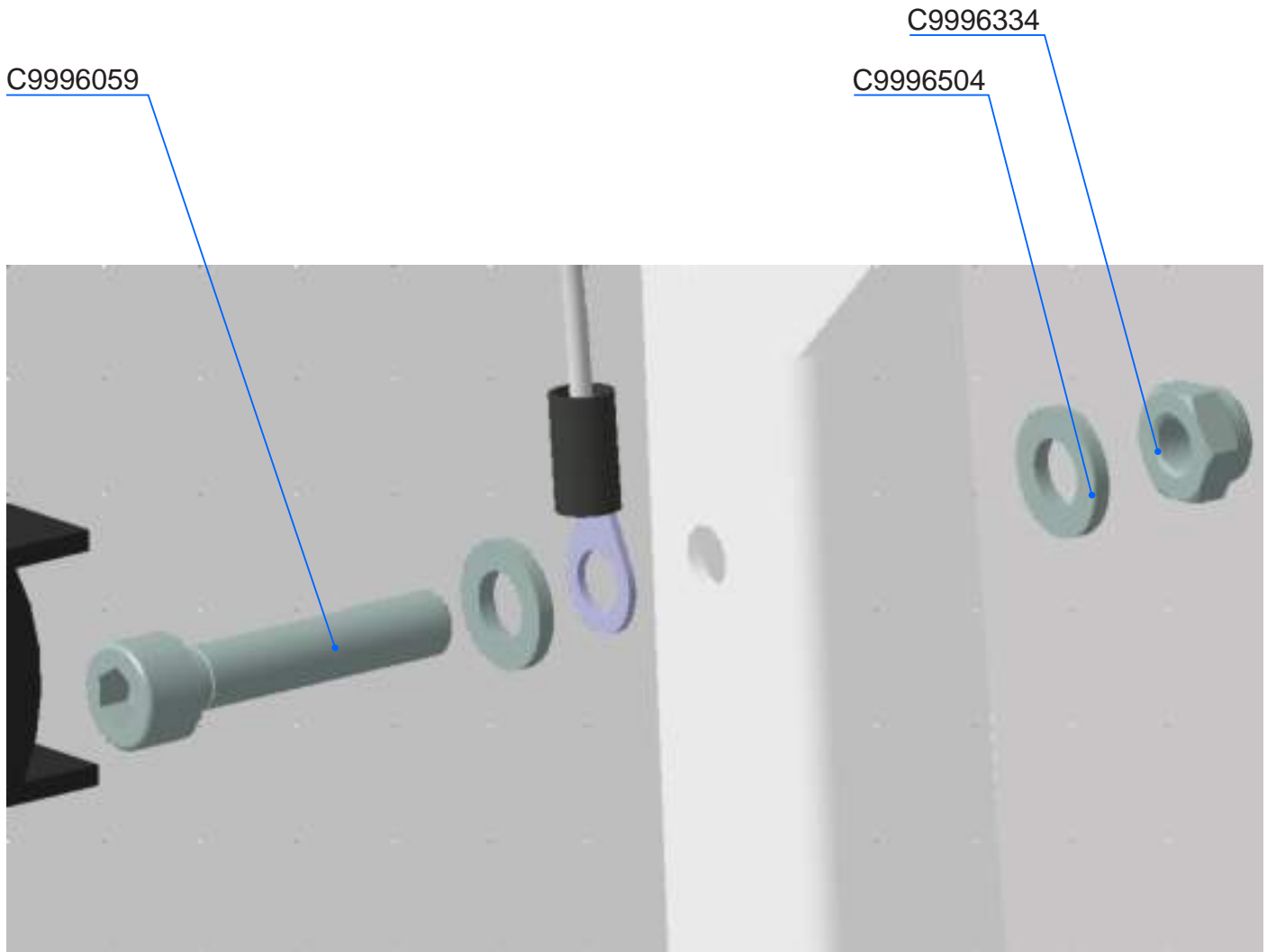
Part Number	Description	Q-ty per ASSY	Unit
C9996334	Self-locking nut DIN 985-M6, regular	8	pcs
C9996504	Washer DIN 125 A2B-6.4mm	4	pcs

C9997791A - DUCATI



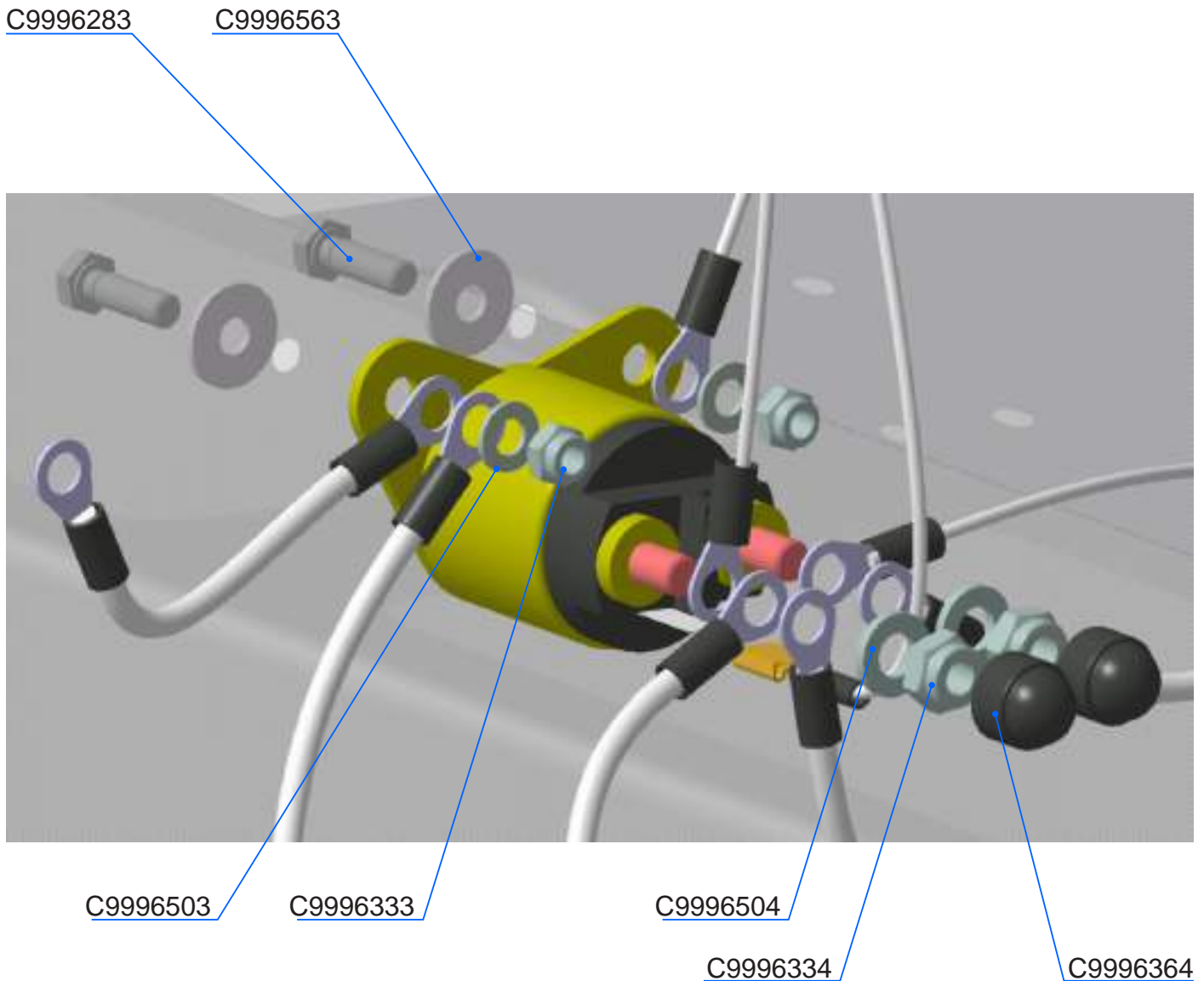
Part Number	Description	Q-ty per ASSY	Unit
C9996284B	Bolt DIN 933 M6x20-8.8	2	pcs
C9996334	Self-locking nut DIN 985-M6, regular	2	pcs
C9996504	Washer DIN 125 A2B-6.4mm	2	pcs
C9996565	Washer DIN 9021-6.4mm VZ	2	pcs
C9997791A	Rectifier Ducati 343620	1	pcs

GROUND 1



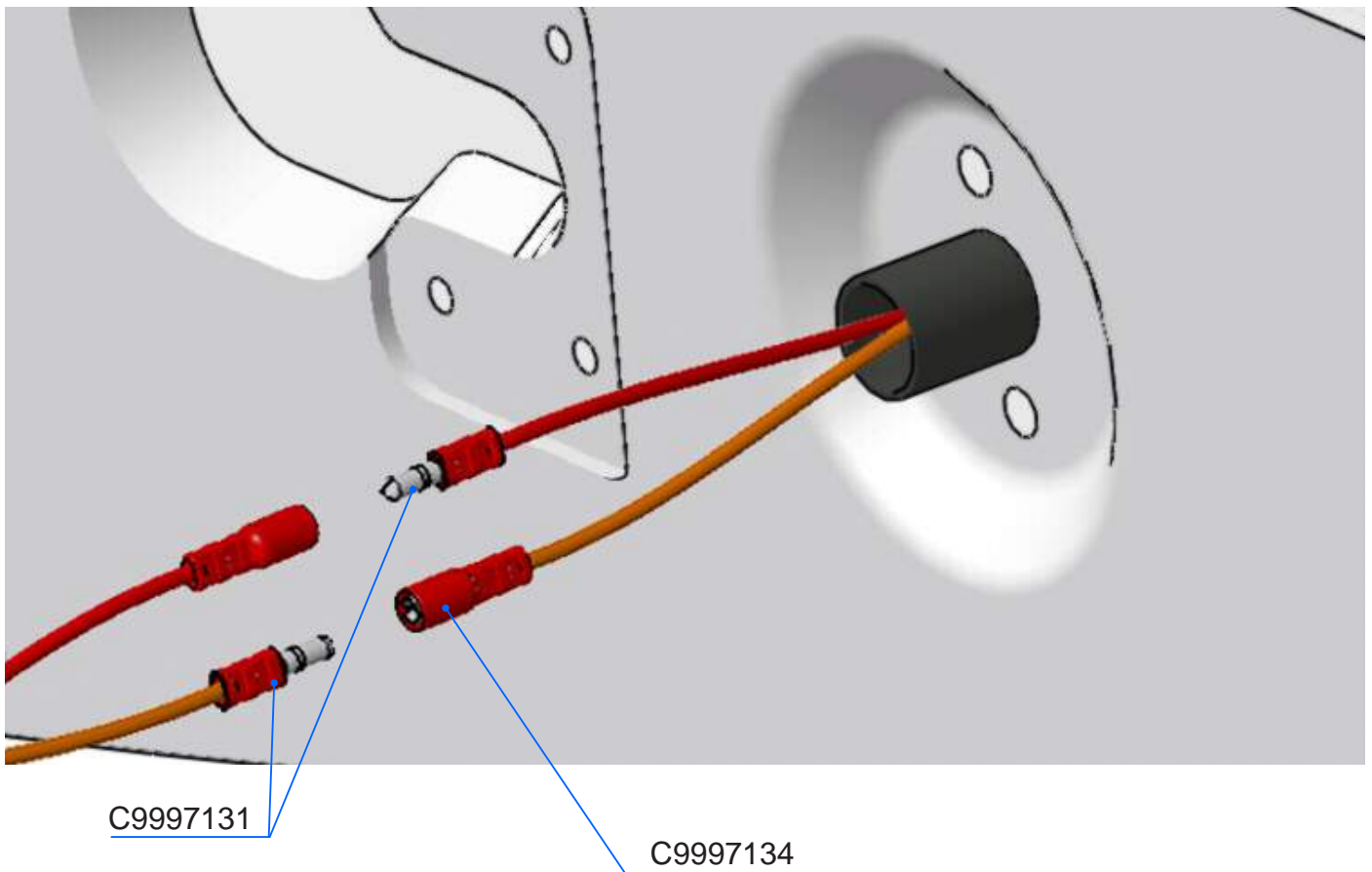
Part Number	Description	Q-ty per ASSY	Unit
C9996059	Bolt DIN 912 M6x30-8.8	1	pcs
C9996334	Self-locking nut DIN 985-M6, regular	1	pcs
C9996504	Washer DIN 125 A2B-6.4mm	2	pcs

C9997494 - STARTER RELAY



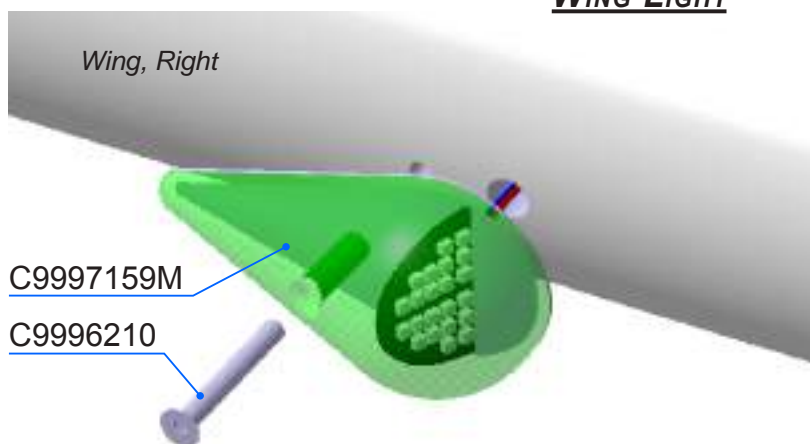
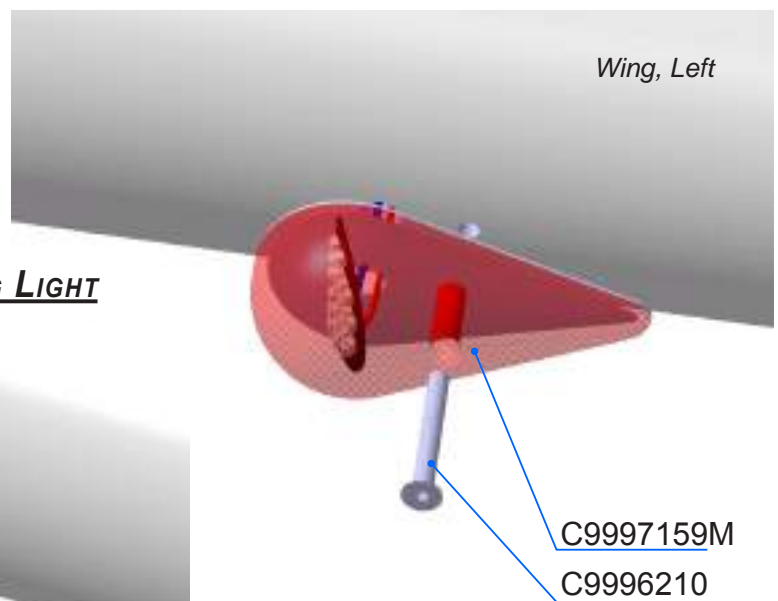
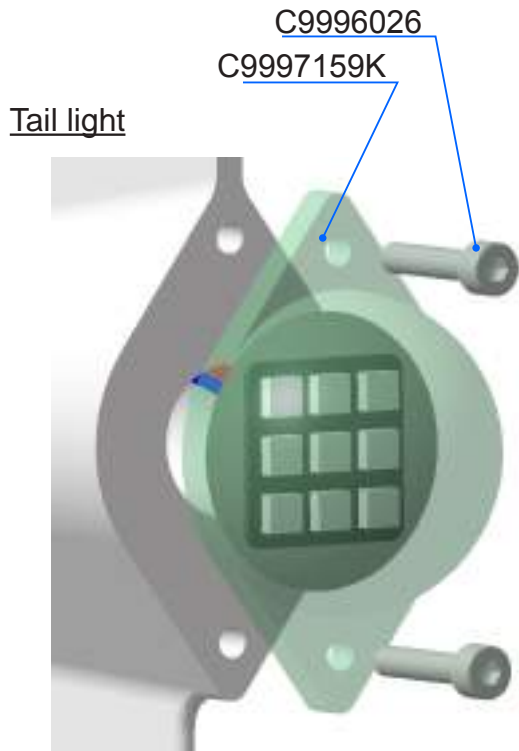
Part Number	Description	Q-ty per ASSY	Unit
C9996283	Bolt DIN 933 M5x16-8.8	2	pcs
C9996333	Self-locking nut DIN 985-M5, regular	2	pcs
C9996334	Self-locking nut DIN 985-M6, regular	2	pcs
C9996364	Cap for nut M6	2	pcs
C9996503	Washer DIN 125 A2-5.3mm	2	pcs
C9996563	Washer DIN 9021-5.3mm VZ	2	pcs
C9996504	Washer DIN 125 A2B-6.4mm	2	pcs

LOFT WING POSITION LIGHT CONNECTION



Part Number	Description	Q-ty per ASSY	Unit
C9997131	Ball plug red 946 1	2	pcs
C9997134	Ring plug-bush red 947 1	2	pcs

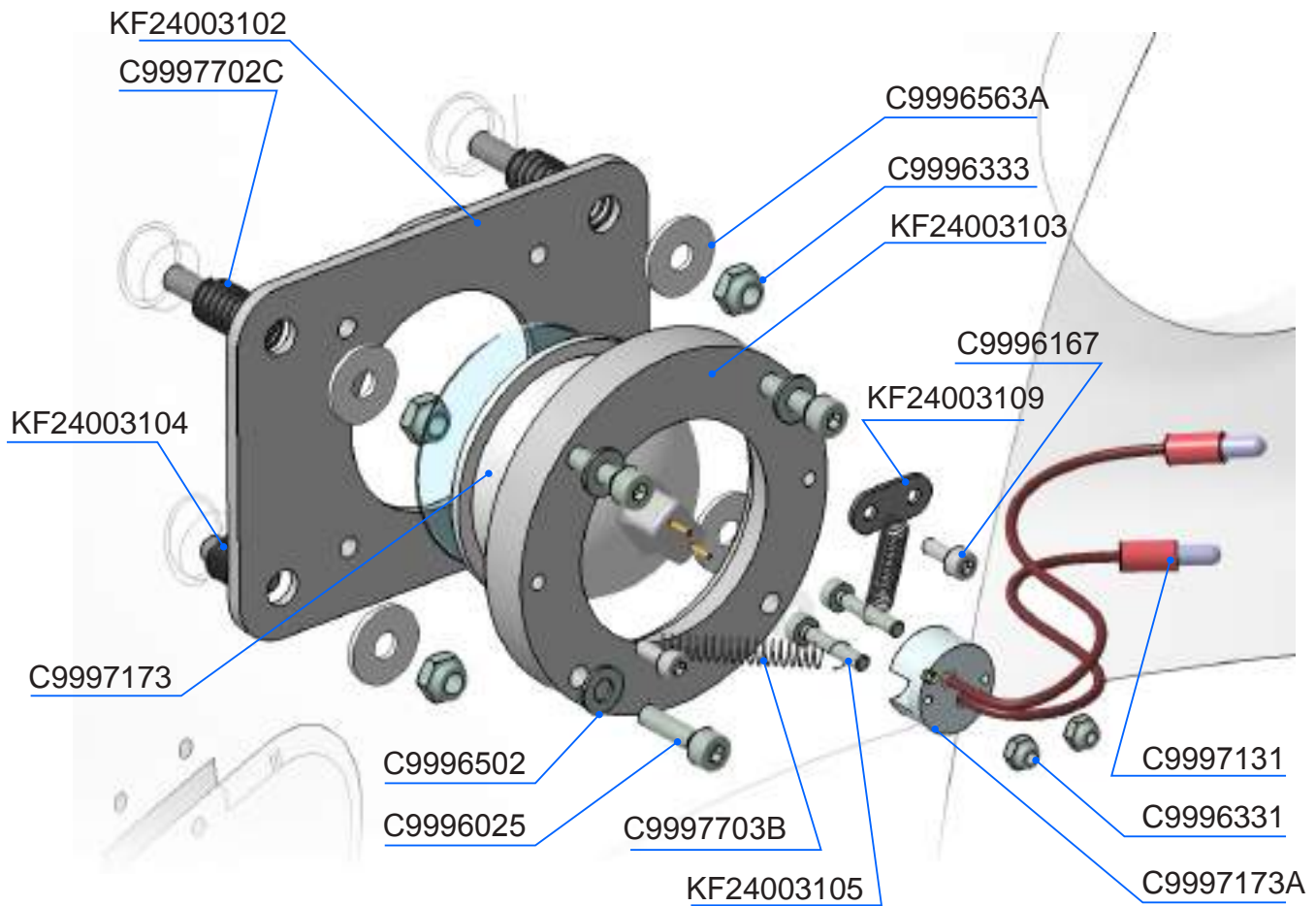
STROBE LIGHT MOUNTING



WING LIGHT

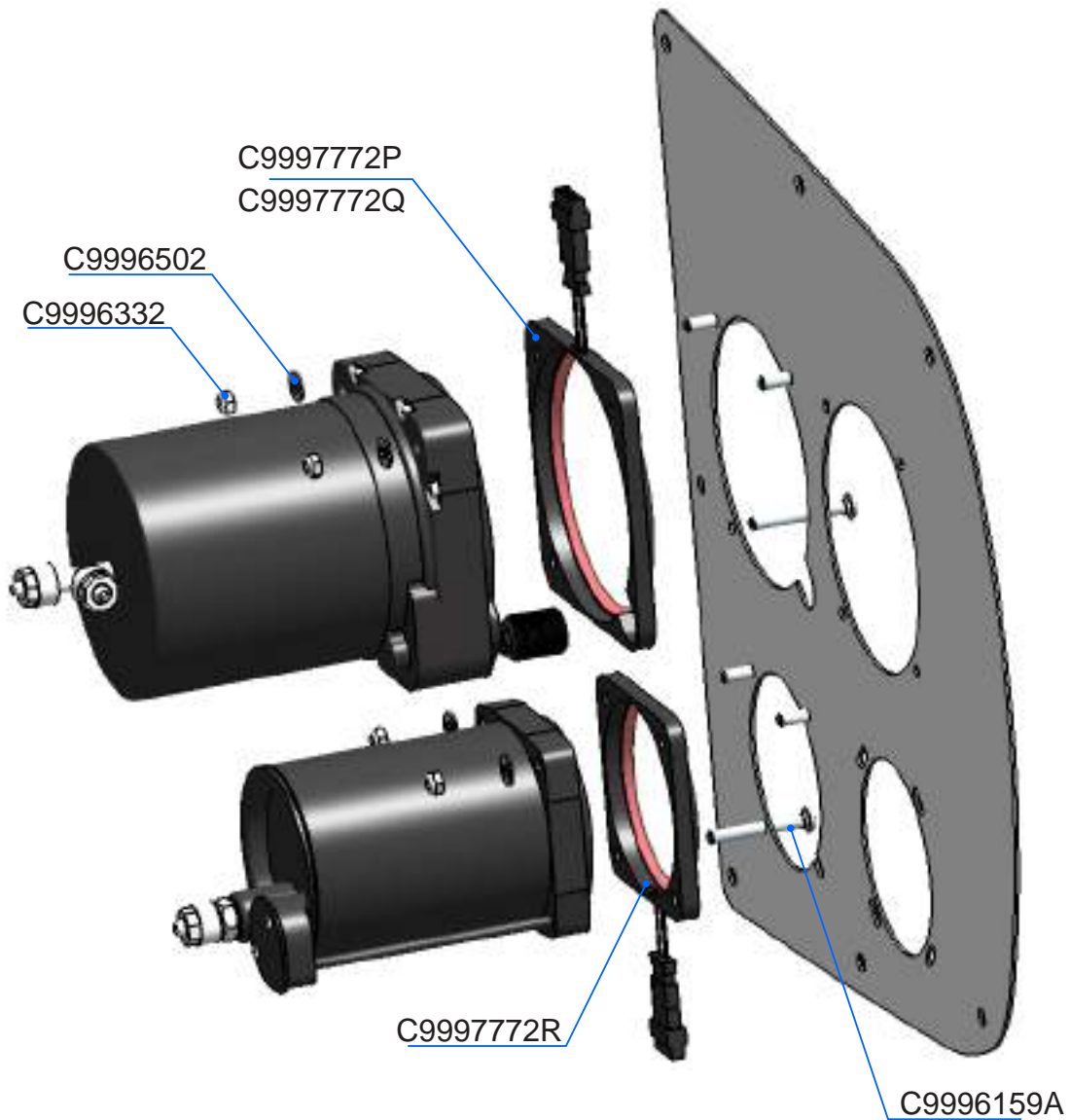
Part Number	Description	Q-ty per ASSY	Unit
C9997159K	Tail Light	1	pcs
C9997159M	Positions -Lamps Red/Green	2	set
C9996026	Bolt DIN 912 M4x20-8.8	4	pcs
C9996210	Bolt DIN 7991 M5x40 A2-70	2	pcs

LIGHT, LANDING, MOUNTING



Part Number	Description	Q-ty per ASSY	Unit
KF24003102	Plate	1	pcs
KF24003103	Cover	1	pcs
KF24003104	Spring	2	pcs
KF24003105	Bolt	2	pcs
KF24003109	Plate	1	pcs
C9997702C	Compression spring 1x8x28.5x8.5	2	pcs
C9996025	Bolt DIN 912 M4x16-8.8	4	pcs
C9996167	Bolt DIN 912 M3x8-8.8	2	pcs
C9996331	Self-locking nut DIN 985-M3, regular	2	pcs
C9996333	Self-locking nut DIN 985-M5, regular	4	pcs
C9996502	Washer DIN 125 A2-4.3mm	4	pcs
C9996563A	Washer DIN 9021-5.3mm A4	4	pcs
C9997131	Ball plug red 946 1	2	pcs
C9997173	Alluminium Reflector Lamp 100W, Halogen	1	pcs
C9997173A	Socket for Alluminium Reflector Lamp	1	pcs
C9997703B	Spring 0,5x5,0x25,0	2	pcs

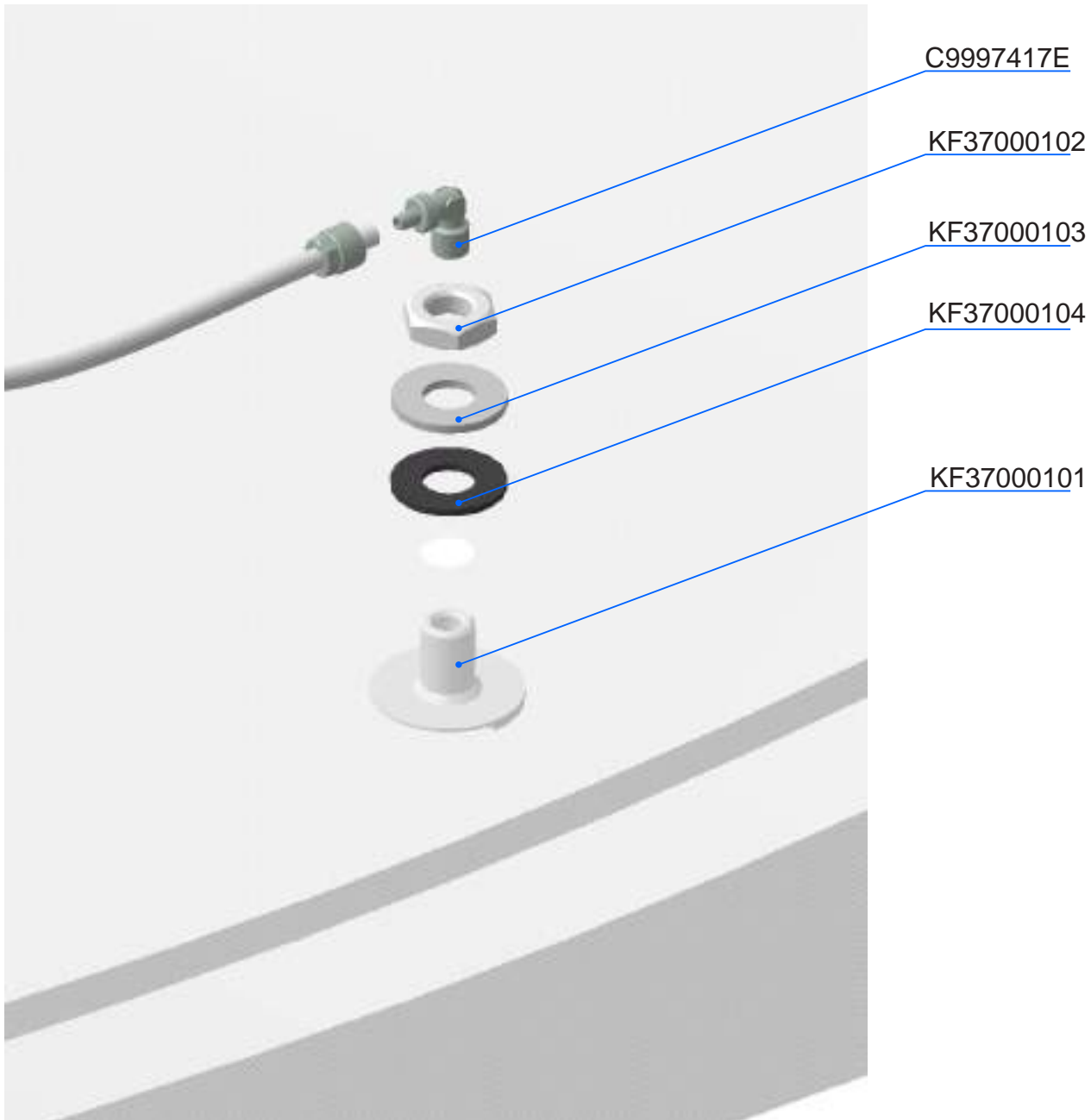
BLOCK, LIGHTING, INSTRUMENTS



Part Number	Description	Q-ty per ASSY	Unit
C9996159A	Bolt DIN 7380 M4x30 VZ	4	pcs
C9996332	Self-locking nut DIN 985-M4, regular	4	pcs
C9996502	Washer DIN 125 A2-4.3mm	4	pcs
C9997772P	Bezel Light for 3 1/8" EI Instruments, white, none cut-out	1	pcs
C9997772Q	Bezel Light for 3 1/8" EI Instruments, white, Single (Rotate for Left/Right)	1	pcs
C9997772R	Bezel Light for 2 1/4" EI Instruments, white, none cut-out	2	pcs

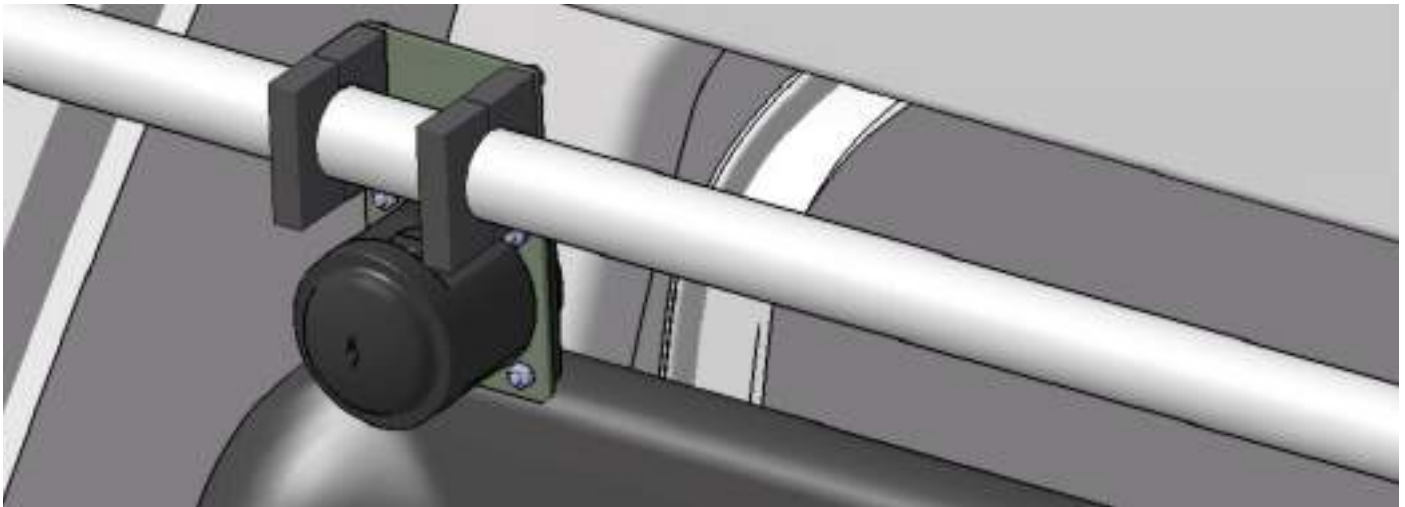
Air Pressure System

FLANGE INSTALLATION

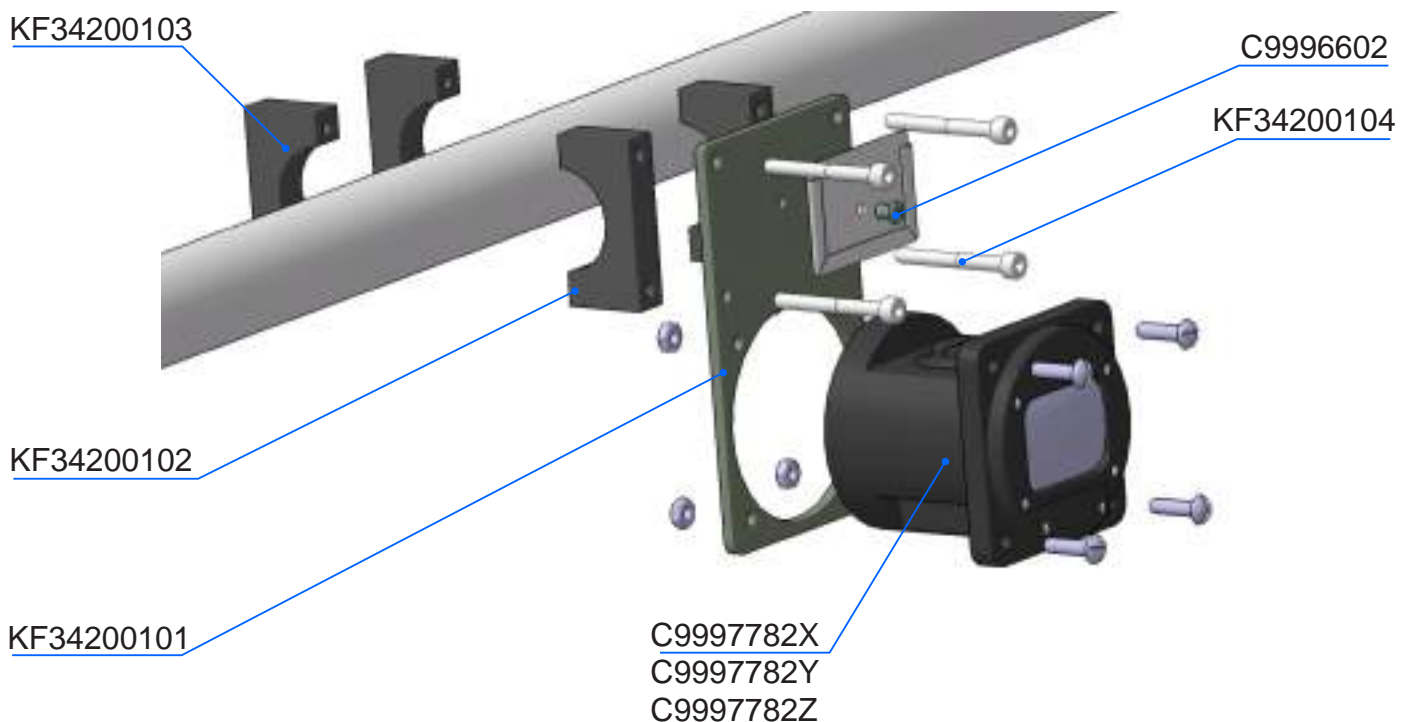


Part Number	Description	Q-ty per ASSY	Unit
KF37000101	Flange	1	pcs
KF37000102	Nut	1	pcs
KF37000103	Washer	1	pcs
KF37000104	Sealing washer	1	pcs
C9997417E	Fuel L-adapter A-Wek-6/4-1/8-MSv	1	pcs

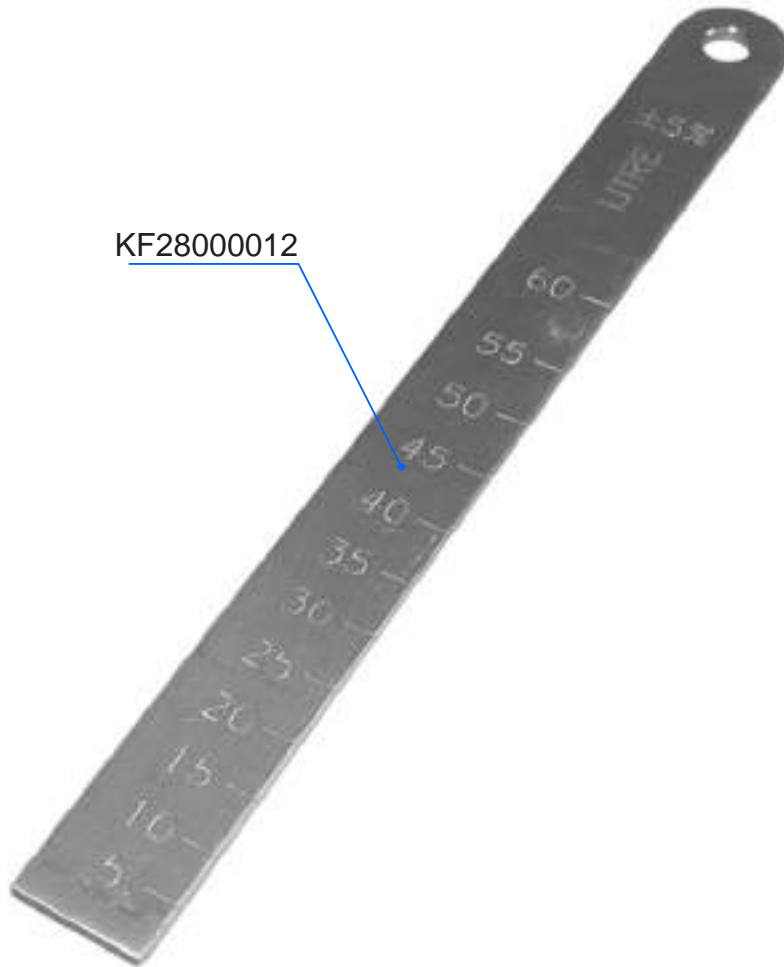
Compass



Part Number	Description	Q-ty per ASSY	Unit
KF34200101	Compass plate	1	pcs
KF34200102	Compass clamp	2	pcs
KF34200103	Support	2	pcs
KF34200104	Bolt DIN 912 M4x43	4	pcs
C9996602	Stainl. steel rivet A2 3.2x8	1	pcs
C9997782X	Compass, Northern	1	pcs
C9997782Y	Compass, Northern, Lighted		
C9997782Z	Compass, Southern, Lighted		



Added Accessories



KF28000012



KF34001030

Part Number	Description	Q-ty per ASSY	Unit
KF34001030	Trinket, Keys	1	pcs
KF28000012	Fuel level gage	1	pcs

Credits

Chief Editor
Tatyana Mishura

Engineers
Alexander Safonenko
Anatoliy Leonenko
Vladimir Topkin
Irina Bevz
Alexander Polischuk

Design & Making-Up
Alexei Knyrik
Oleg Filenko